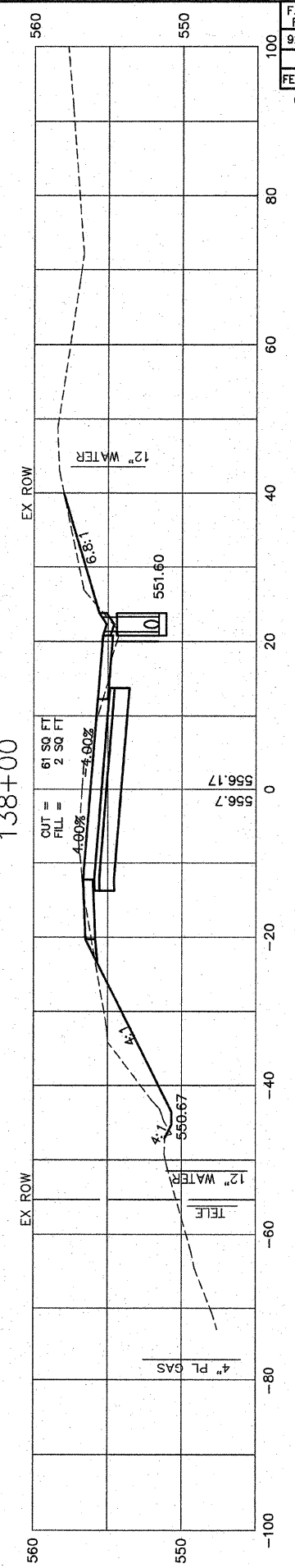
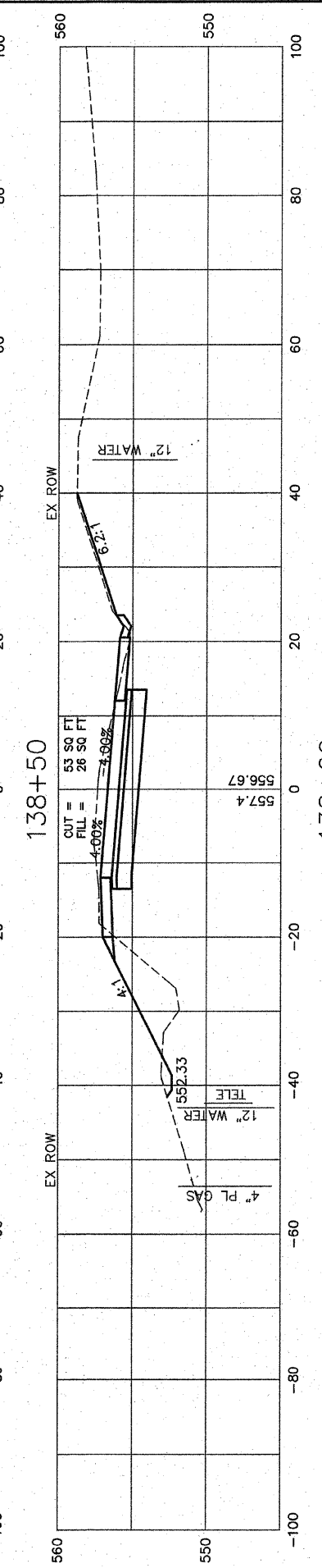
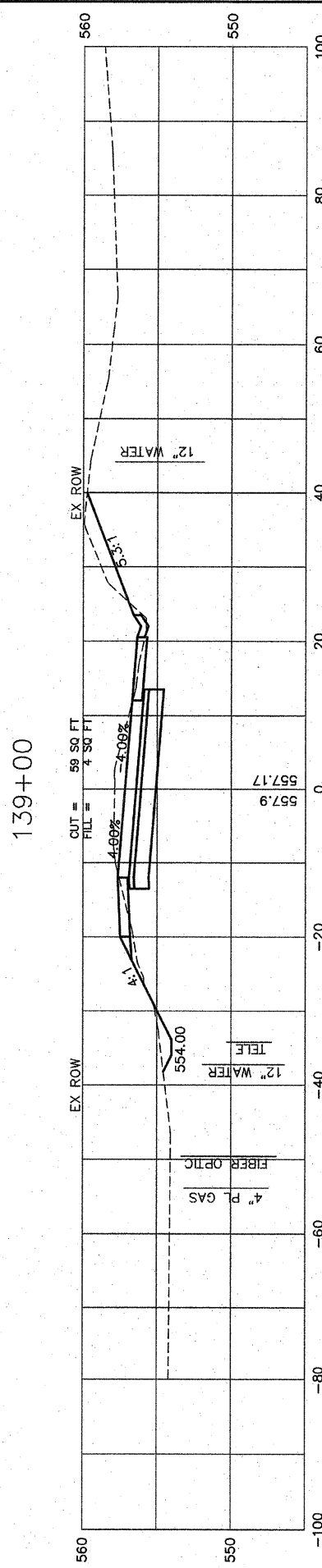
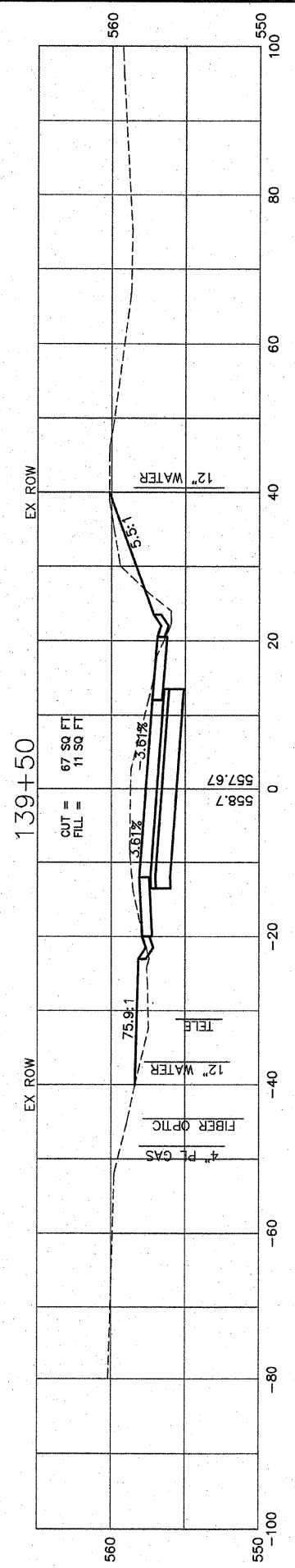
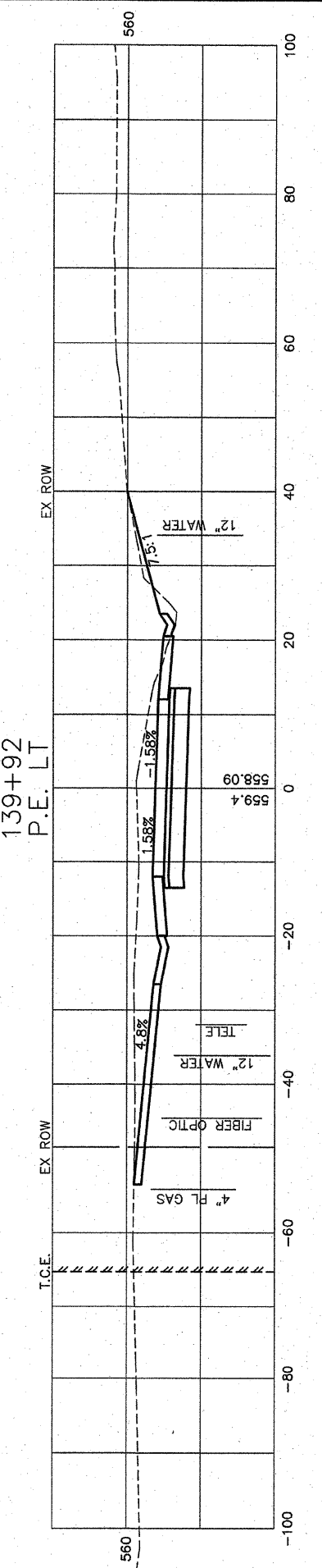
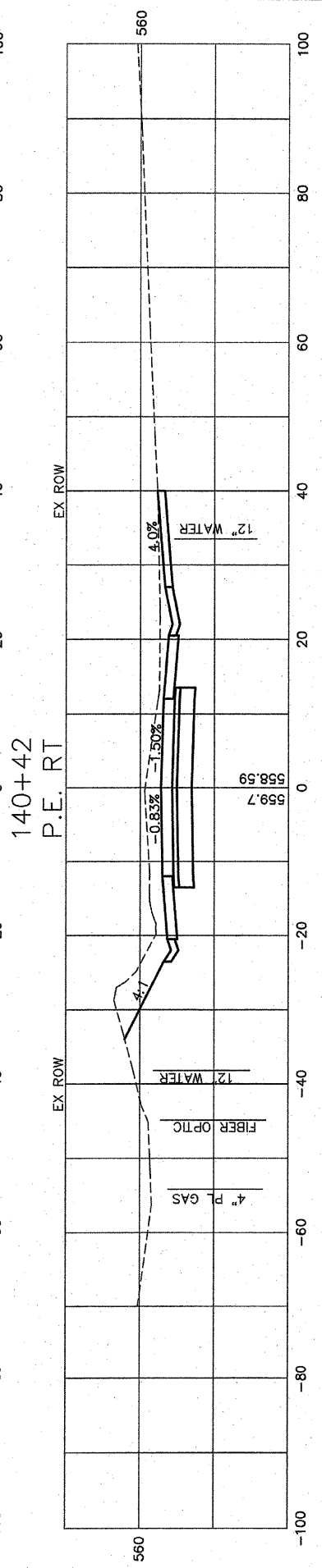
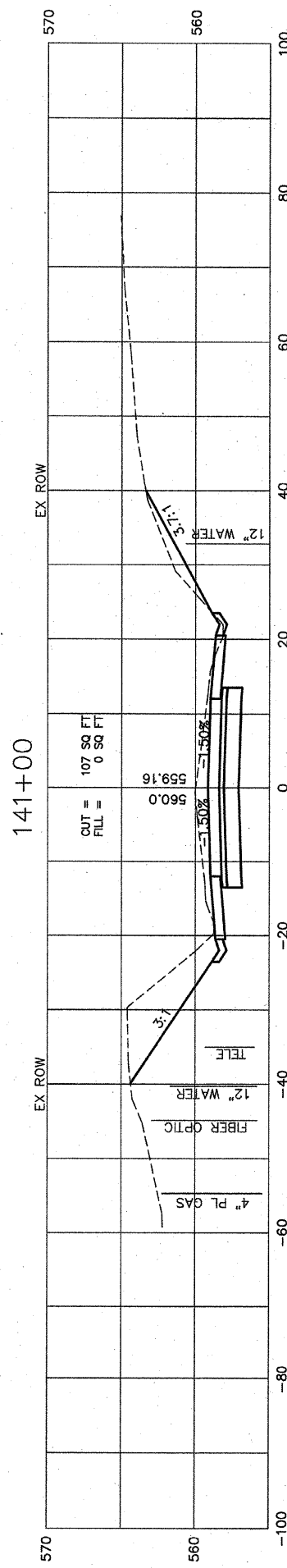


FINAL SURVEY	SURVEYED	BY	DATE
NOTE BOOK	PLOTTED		
NO. DATE	DATE		
AREAS	AREAS		
CHECKED	CHECKED		

ORIGINAL SURVEY	SURVEYED	BY	DATE
NOTE BOOK	PLOTTED		
NO. DATE	DATE		
AREAS	AREAS		
CHECKED	CHECKED		



F.A.U. RTE	SECTION	COUNTY	TOTAL SHEETS	SHEET NO.
9256	99-0179-00-RP	ST. CLAIR	144	96
STA.	138+00	TO STA.	141+00	
FED. ROAD DIST. NO.	ILLINOIS	FED. AID PROJECT		
CONTRACT NO: 97418				