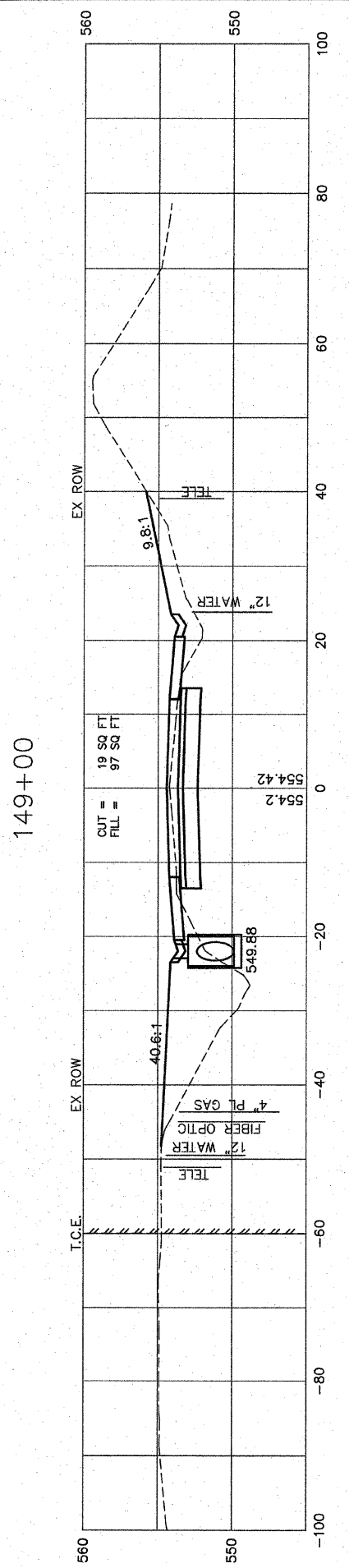
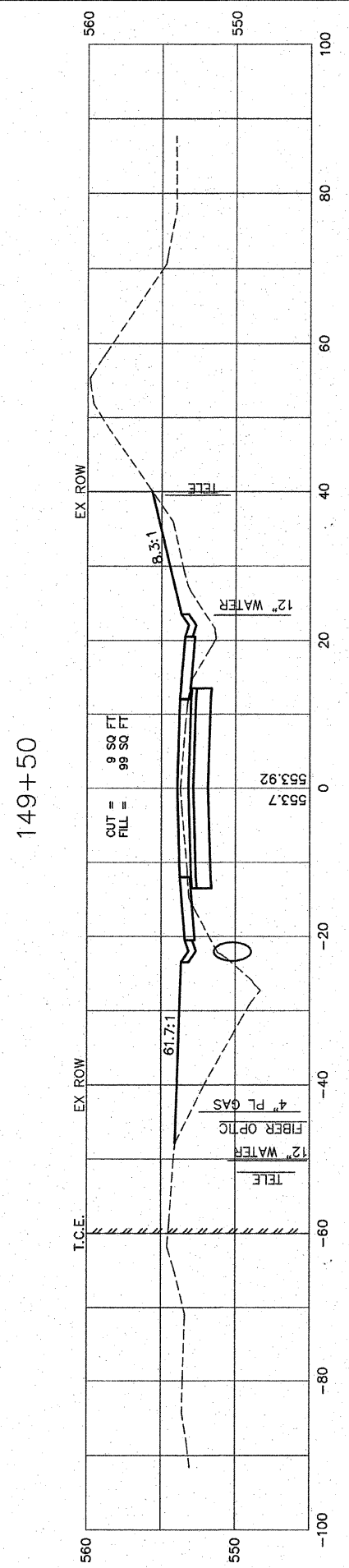
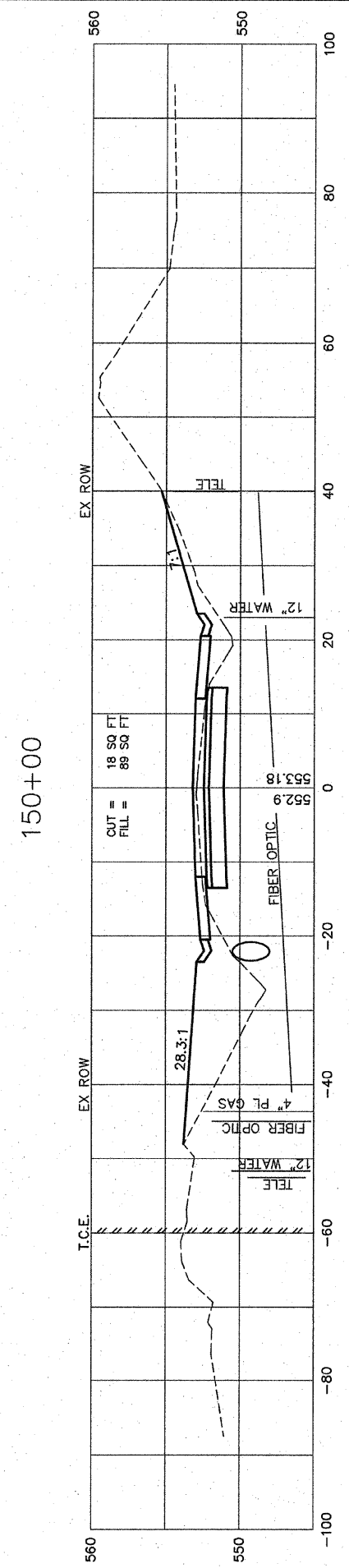
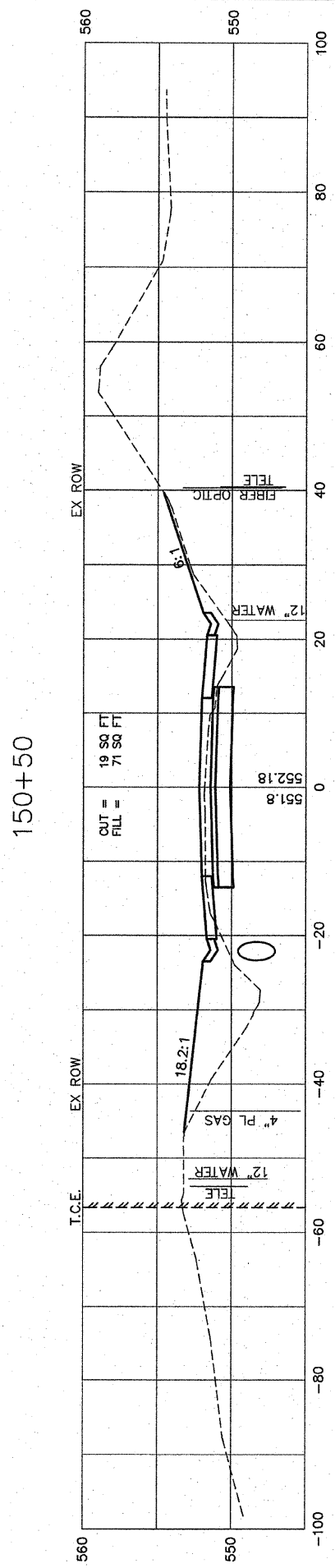
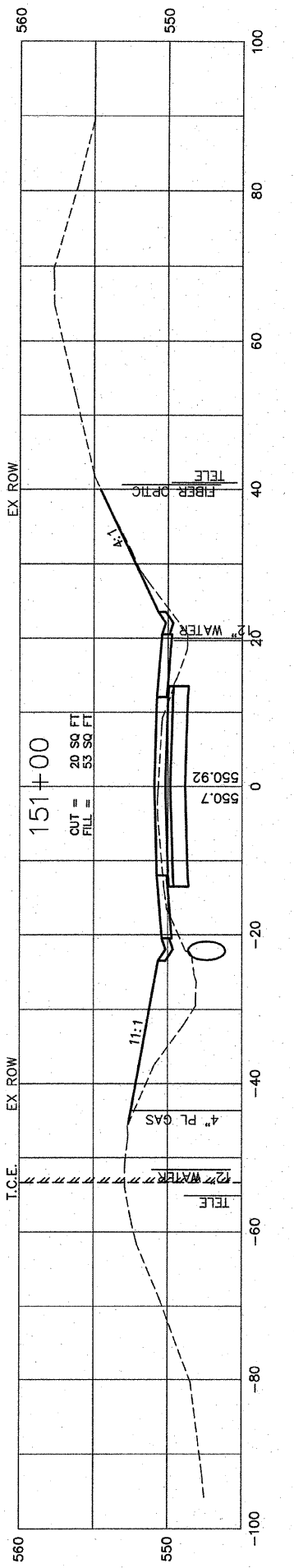
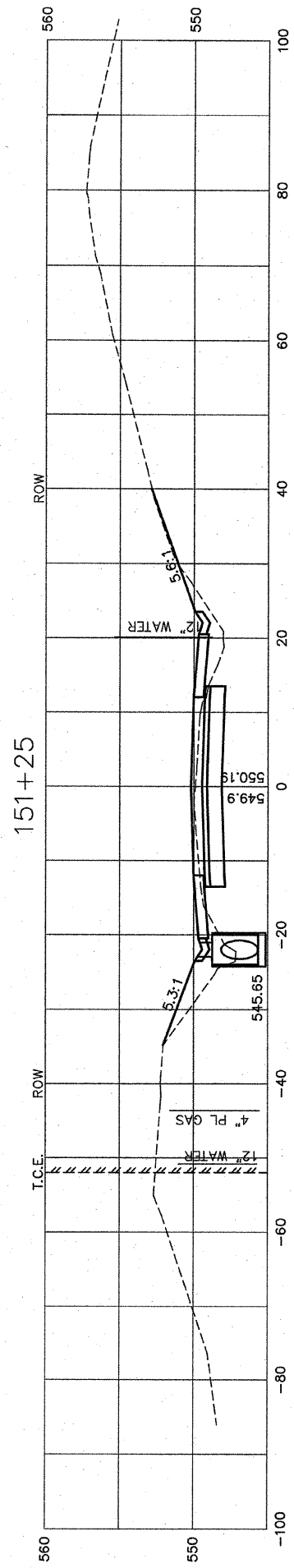


FINAL SURVEY	SURVEYED	BY	DATE
NOTE BOOK	PLOTTED		
NO. _____	TEMPLATE		
	AREAS CHECKED		

ORIGINAL SURVEY	SURVEYED	BY	DATE
NOTE BOOK	PLOTTED		
NO. _____	TEMPLATE		
	AREAS CHECKED		



F.A.U. RTE.	SECTION	COUNTY	TOTAL SHEETS	SHEET NO.
9256	99-0179-00-RP	ST. CLAIR	144	100
STA.	149+00	TO STA.	151+25	
FED. ROAD DIST. NO.	ILLINOIS	FED. AID PROJECT		
CONTRACT NO: 97418				