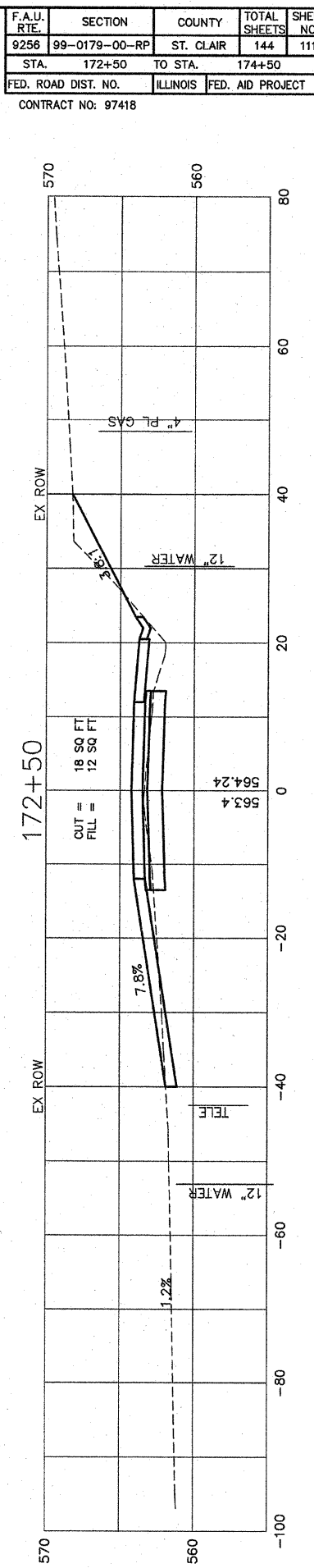
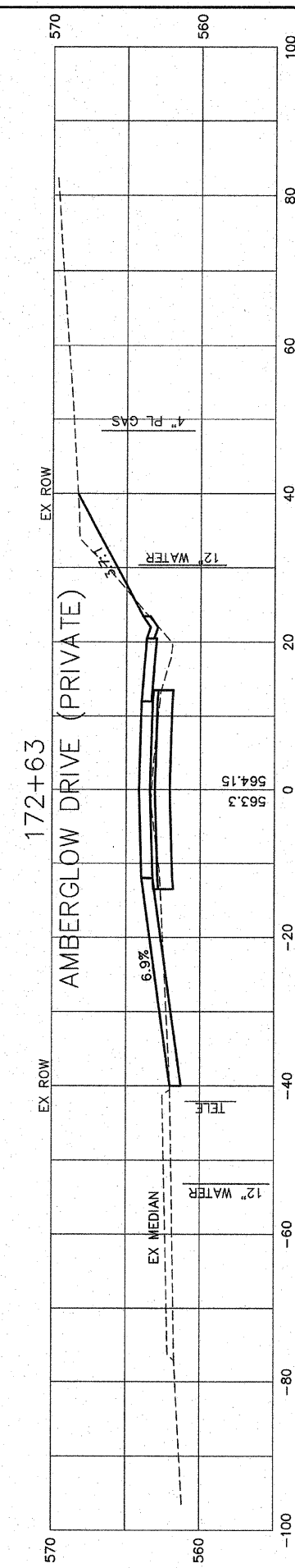
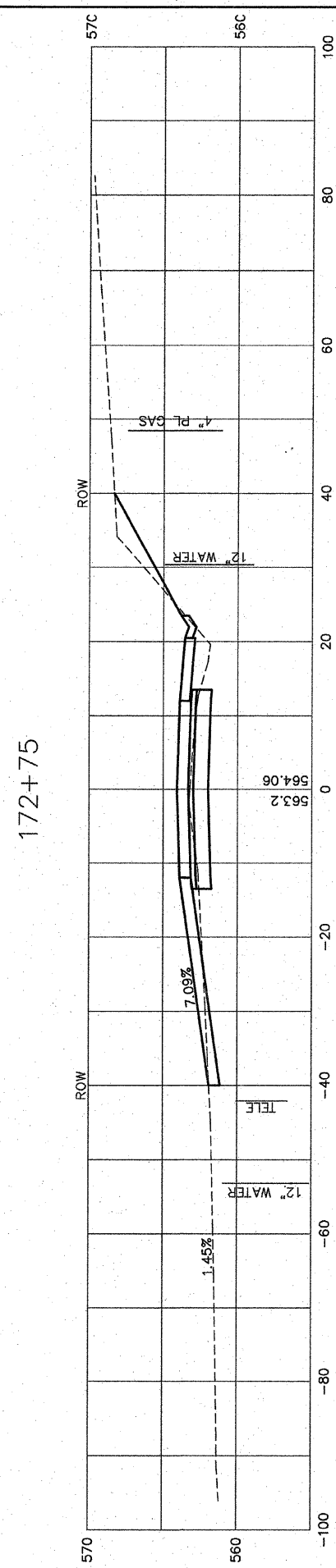
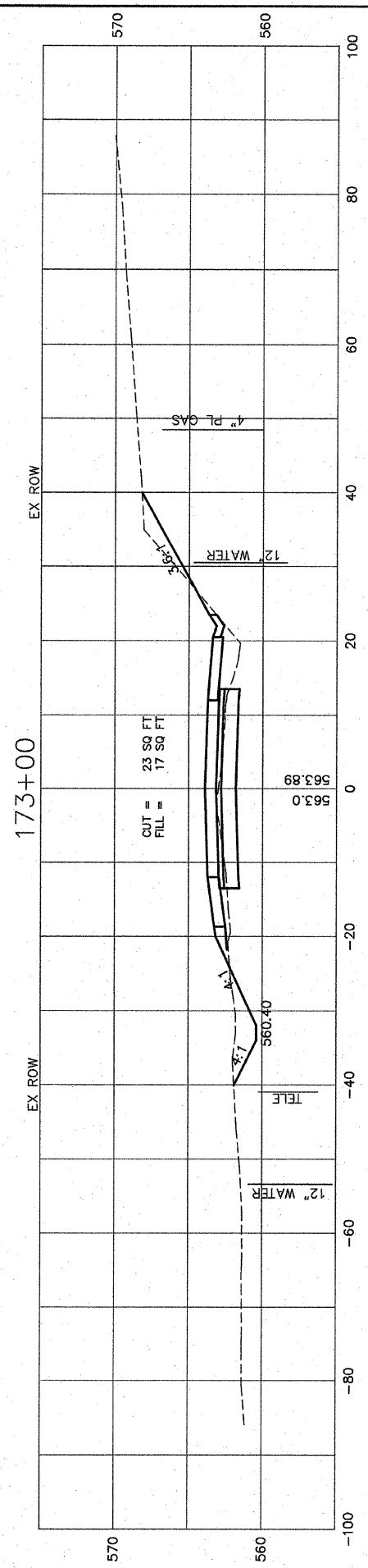
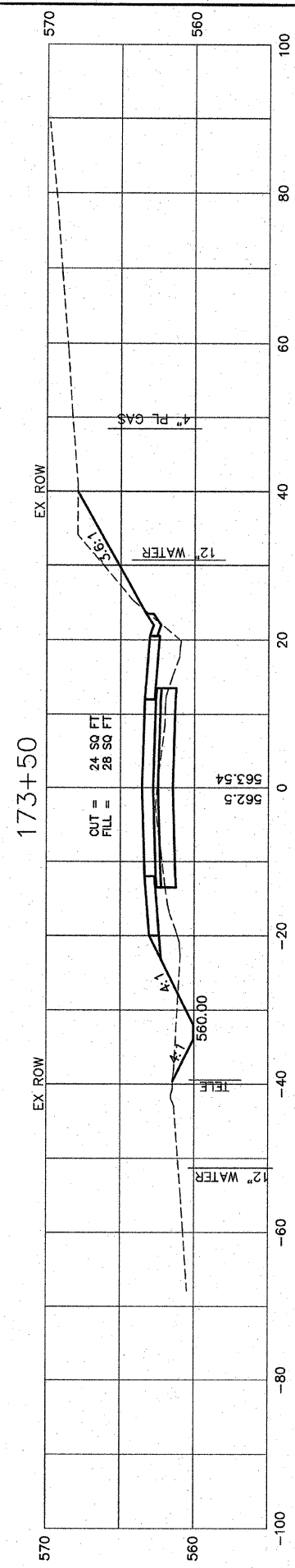
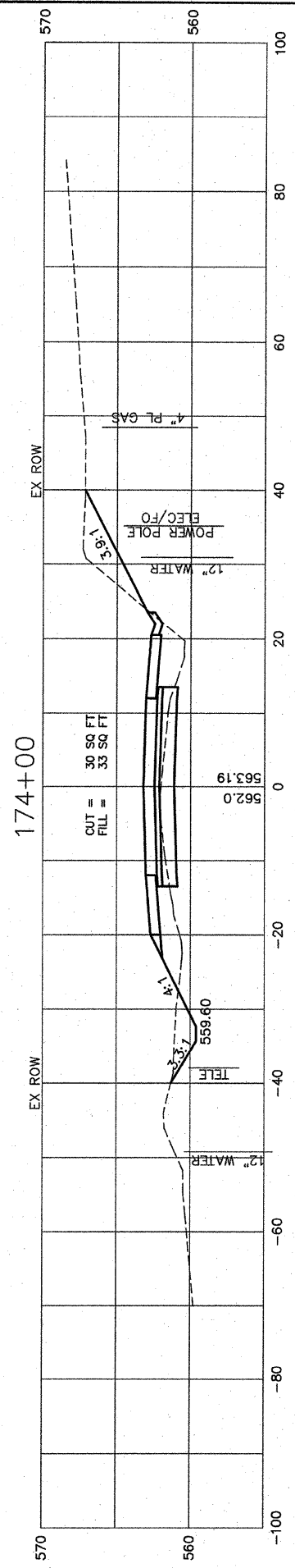
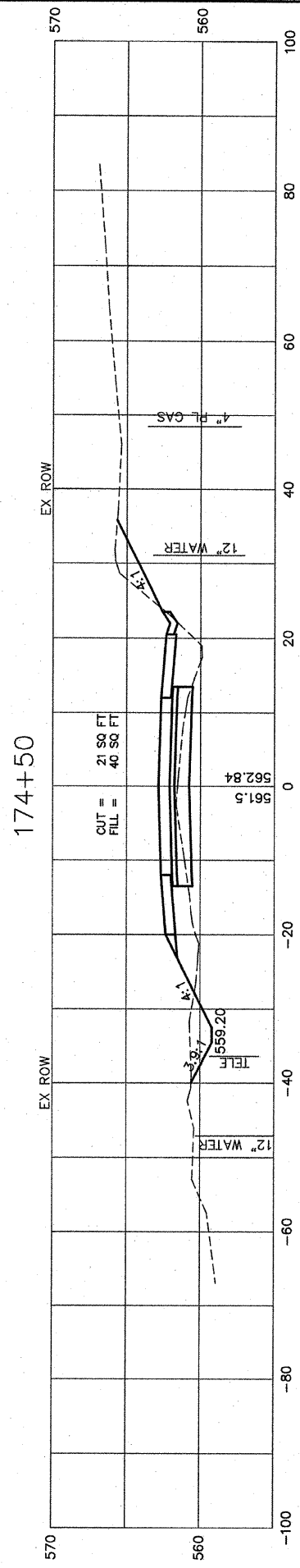


FINAL SURVEY	SURVEYED	BY	DATE
NOTE BOOK	PLOTTED		
NO.	AREAS		
	CHECKED		

ORIGINAL SURVEY	SURVEYED	BY	DATE
NOTE BOOK	PLOTTED		
NO.	AREAS		
	CHECKED		



F.A.U. RTE.	SECTION	COUNTY	TOTAL SHEETS	SHEET NO.
9256	99-0179-00-RP	ST. CLAIR	144	111
STA.	172+50	TO STA.	174+50	
FED. ROAD DIST. NO.	ILLINOIS	FED. AID PROJECT		

CONTRACT NO: 97418