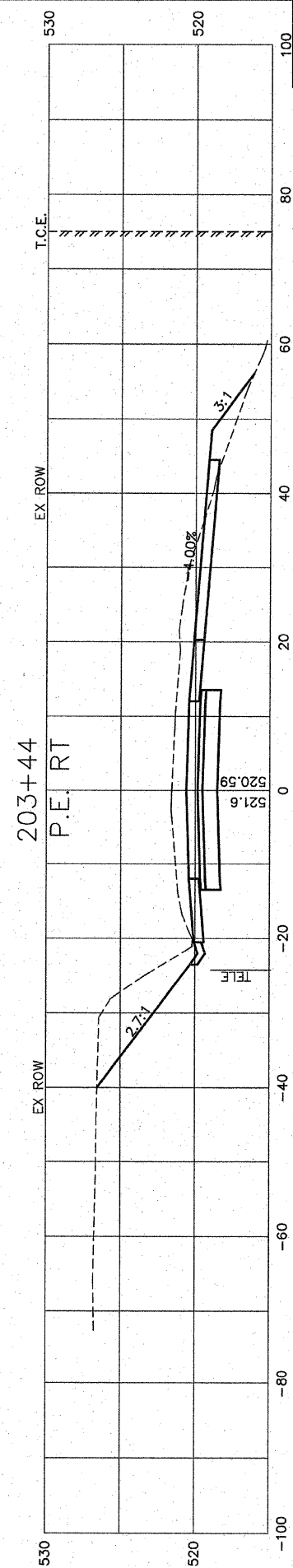
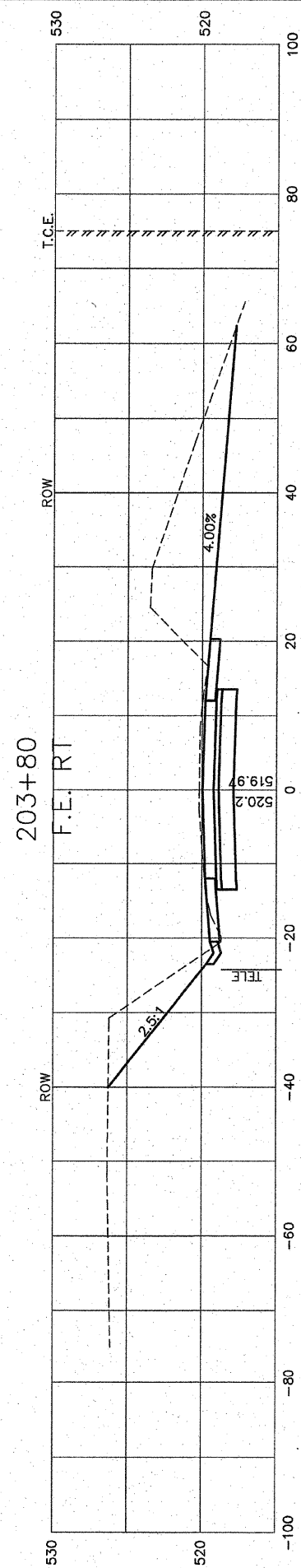
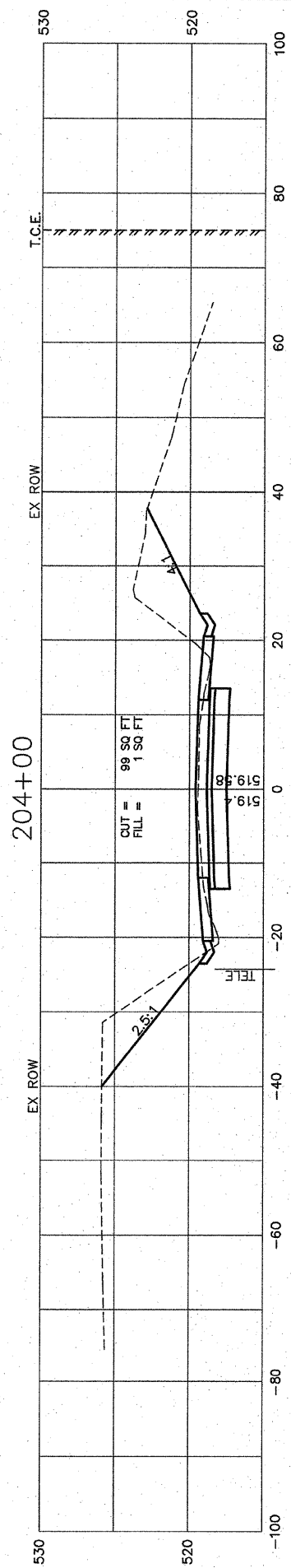
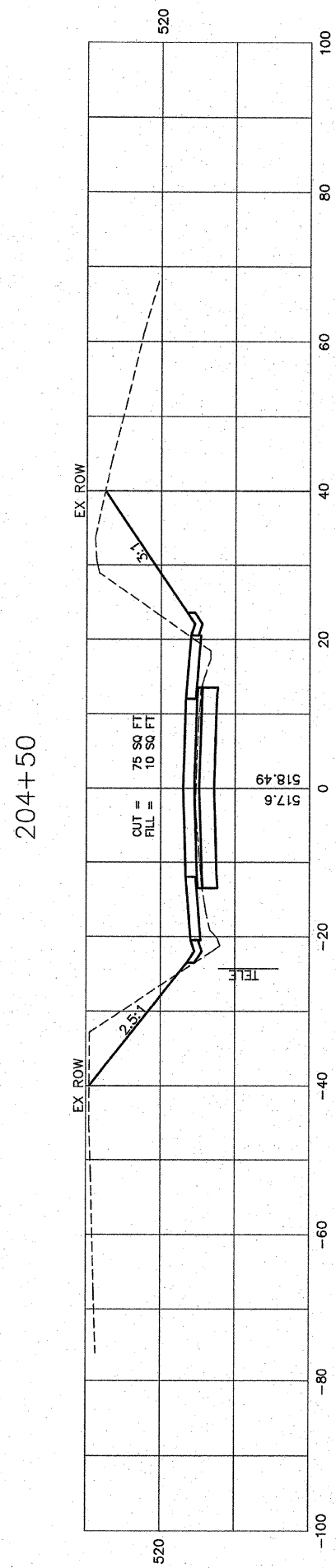
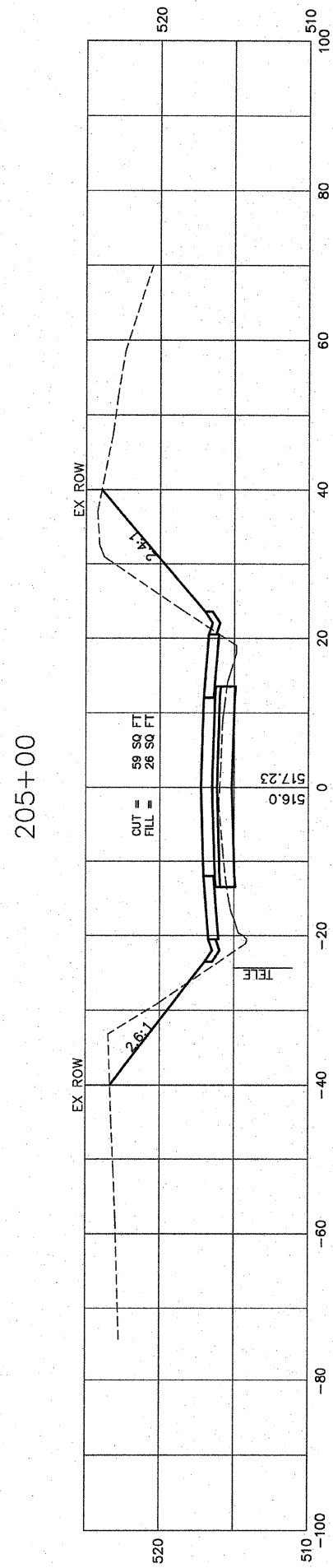
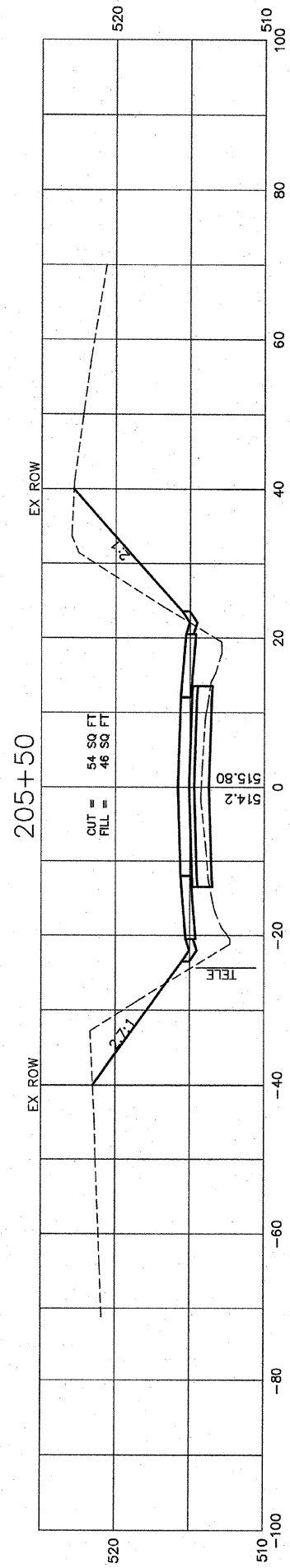


FINAL SURVEYED	BY	DATE
SURVEY PLOTTED		
NOTE BOOK DATE		
AREAS		
NO.		
AREAS CHECKED		

ORIGINAL SURVEYED	BY	DATE
SURVEY PLOTTED		
NOTE BOOK DATE		
AREAS		
NO.		
AREAS CHECKED		



F.A.U. RTE.	SECTION	COUNTY	TOTAL SHEETS	SHEET NO.
9256	99-0179-00-RP	ST. CLAIR	144	123
STA.	203+44	TO STA.	205+50	
FED. ROAD DIST. NO.	ILLINOIS	FED. AID PROJECT		
CONTRACT NO: 97418				