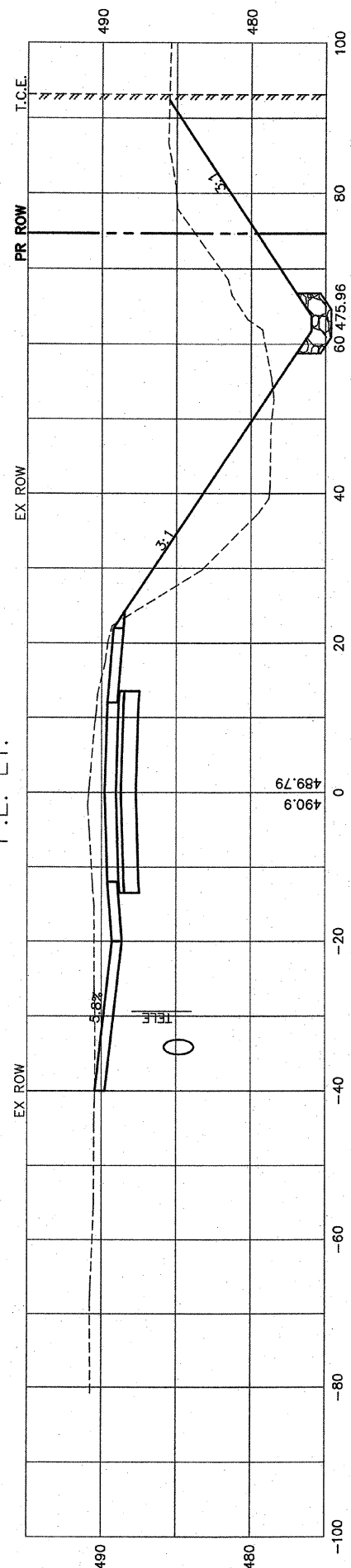


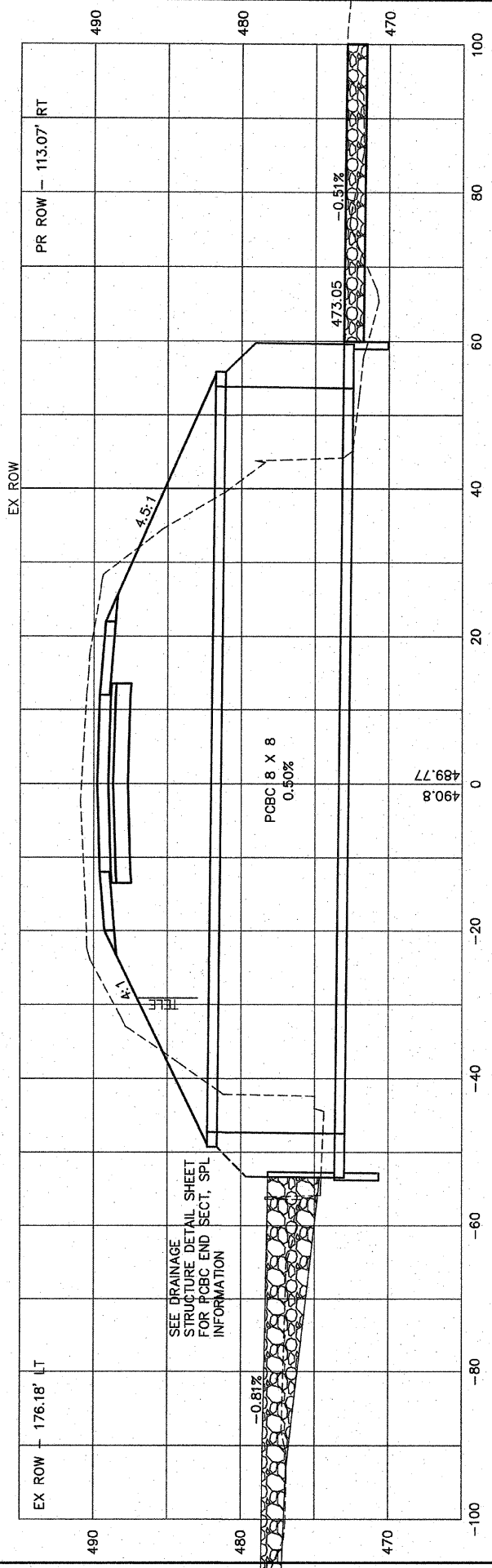
ORIGINAL SURVEYED	BY	DATE
SURVEY PLOTTED		
NOTE BOOK TEMPLATE		
AREAS CHECKED		
NO.		

FINAL SURVEYED	BY	DATE
SURVEY PLOTTED		
NOTE BOOK TEMPLATE		
AREAS CHECKED		
NO.		

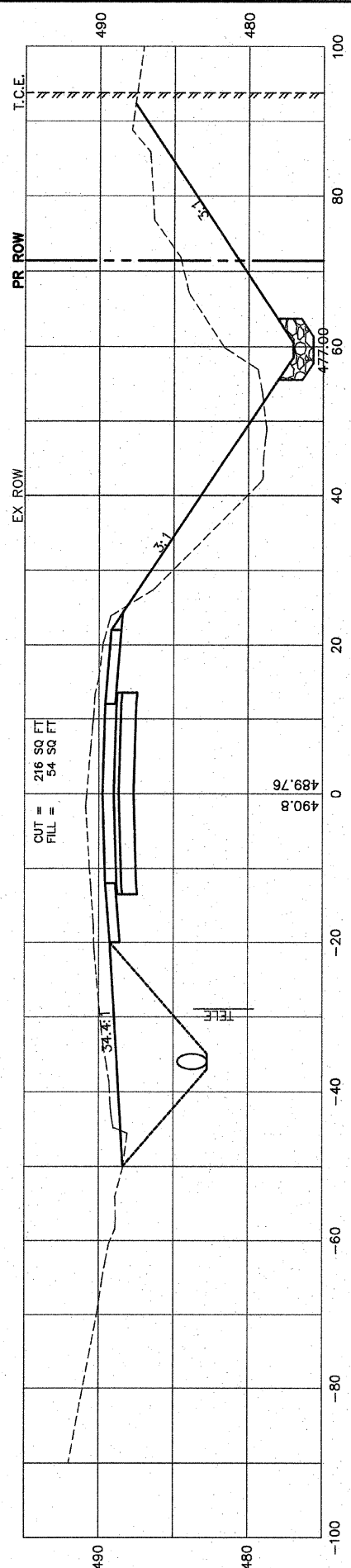
216+13
P.E. LT.



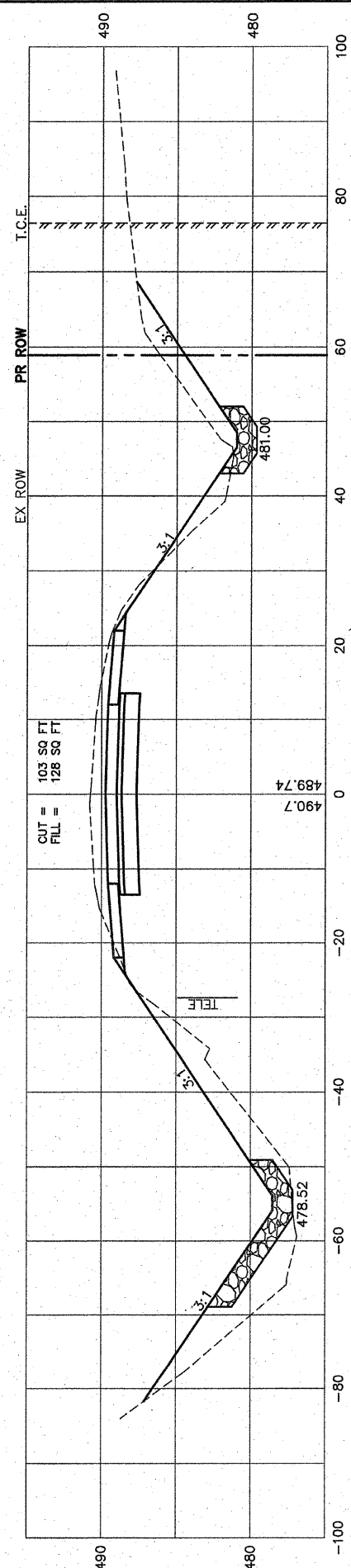
216+06
SKEWED 42°32'46" RT FWD



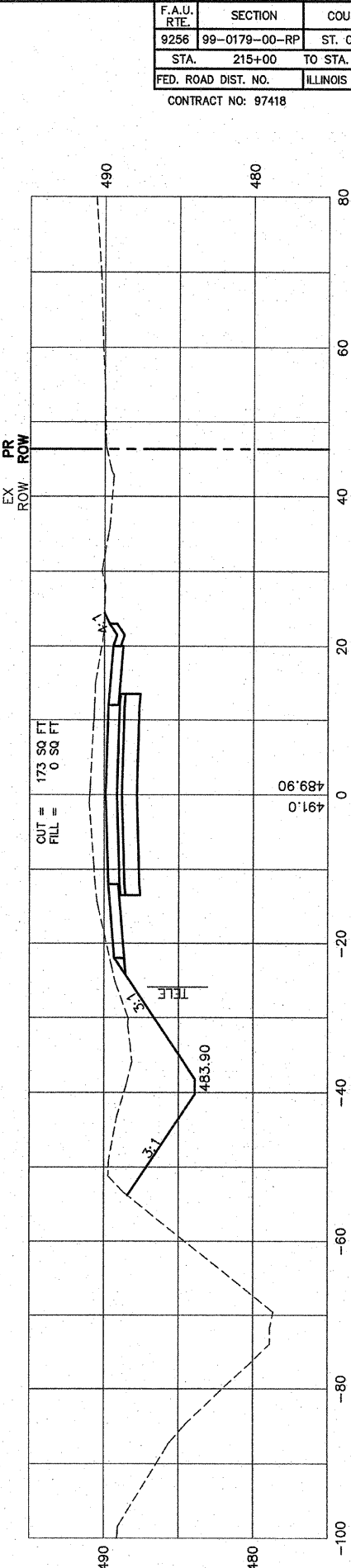
216+00



215+50



215+00



F.A.U. RTE.	SECTION	COUNTY	TOTAL SHEETS	SHEET NO.
9256	99-0179-00-RP	ST. CLAIR	144	128
STA.	215+00	TO STA.	216+13	
FED. ROAD DIST. NO.	ILLINOIS	FED. AID PROJECT		

CONTRACT NO: 97418