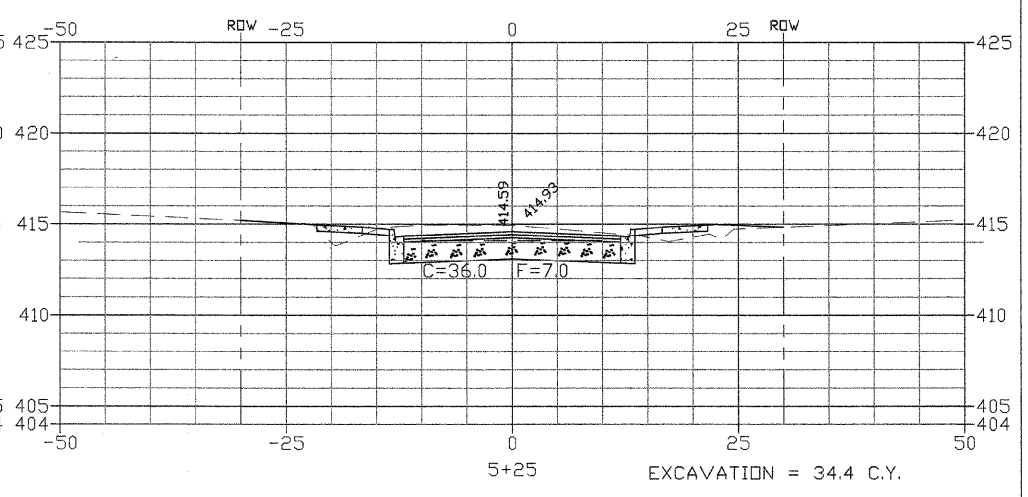
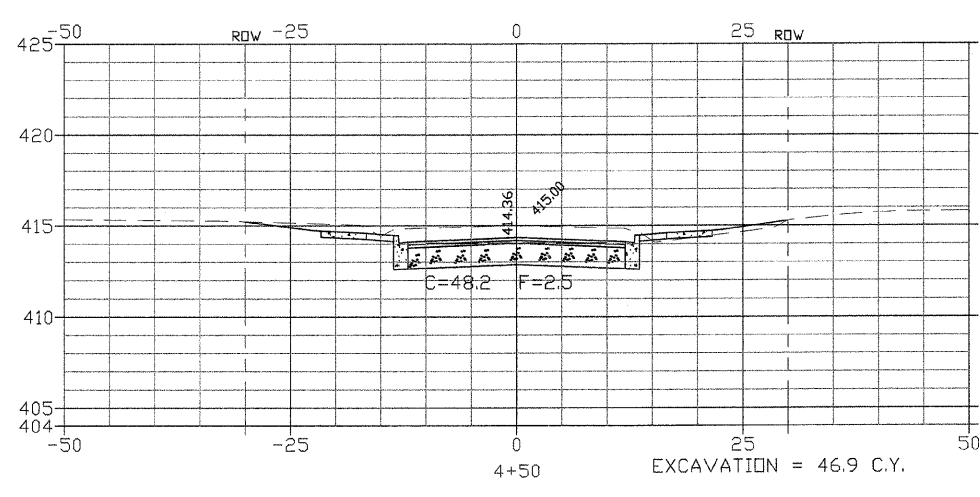
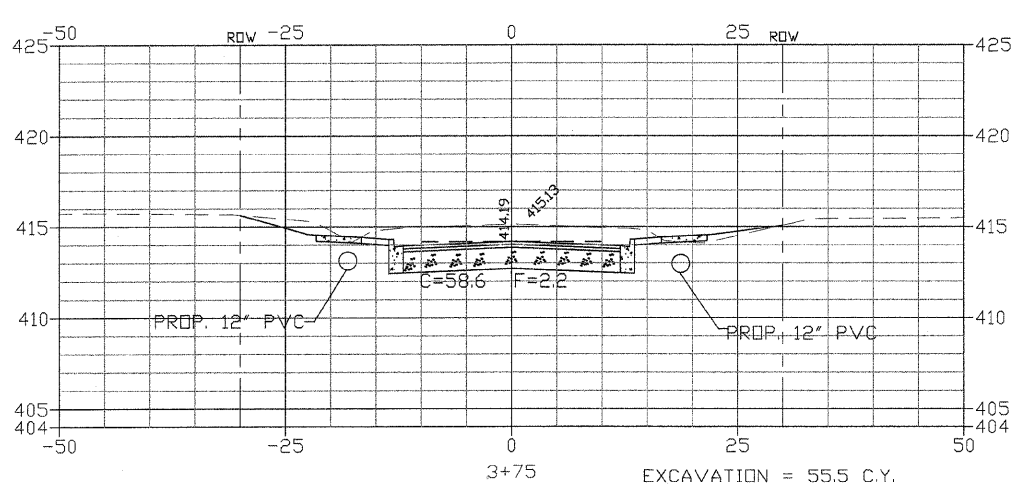
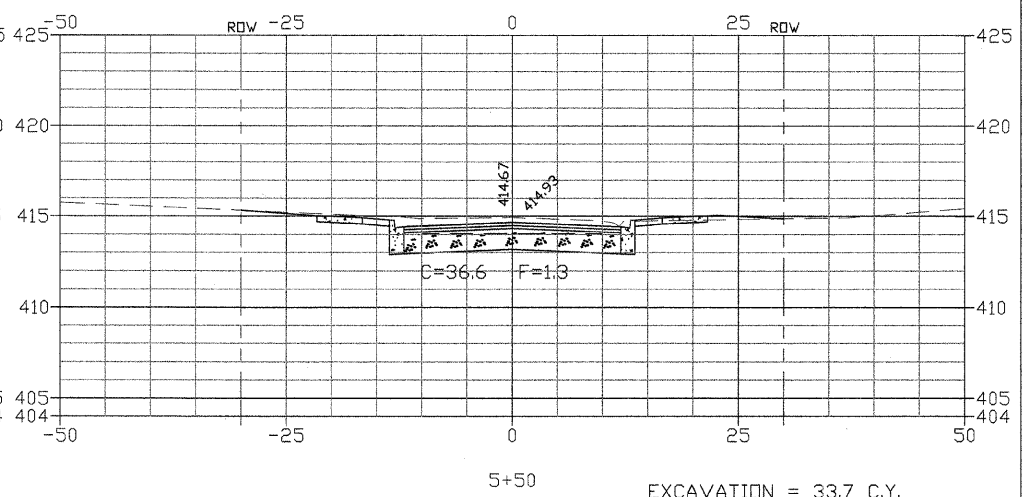
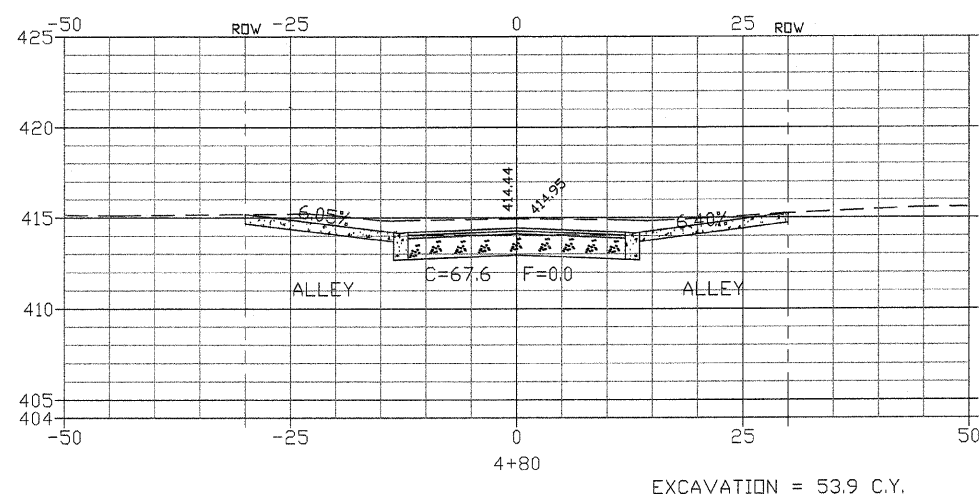
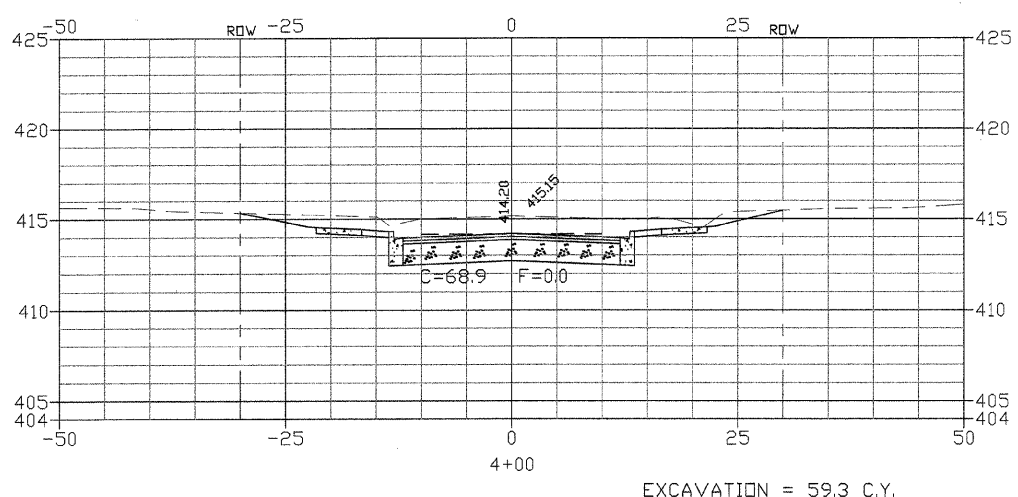
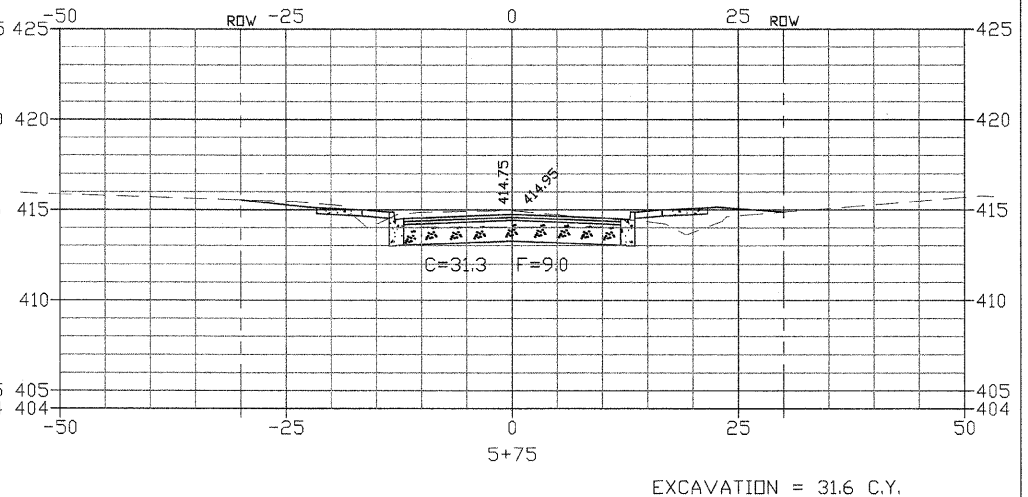
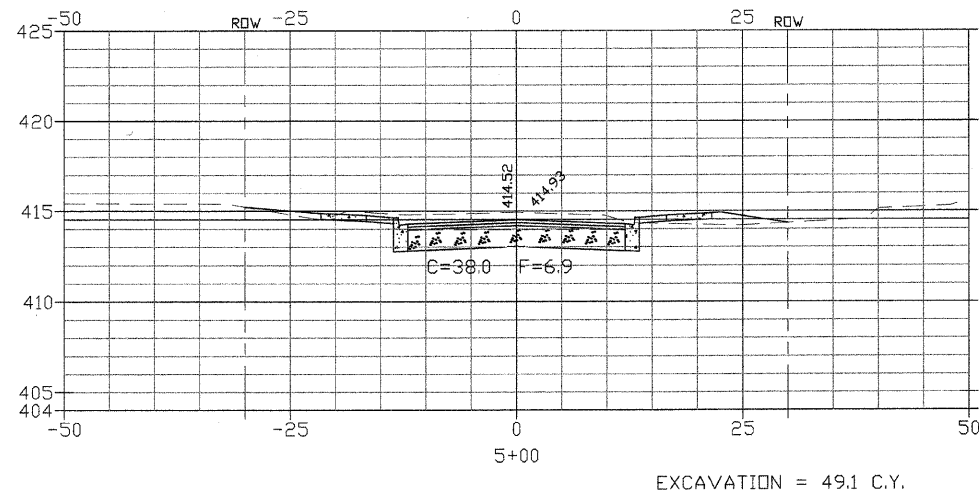
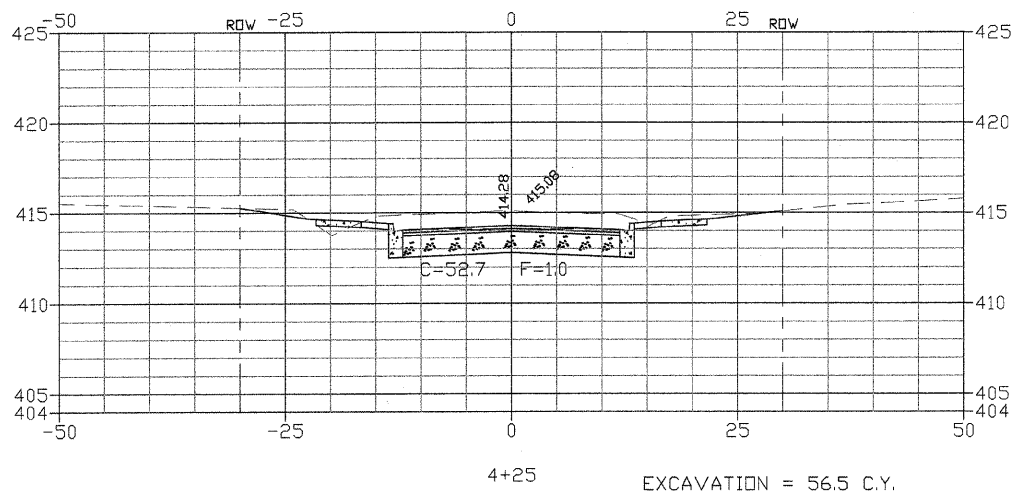


F.A.U. RTE.	SECTION	COUNTY	TOTAL SHEETS	SHEET NO.
9238	09-00022-00-PV	ST. CLAIR	12	11
		ILLINOIS	CONTRACT NO. 97421	



SCALE: HORIZONTAL-1"=10'
VERTICAL-1"=5'

Designed: L.T.	VILLAGE OF WASHINGTON PARK STREET IMPROVEMENTS	
Drawn: W.C.		
Checked: L.T.	CROSS-SECTIONS	
Prepared: THOMPSON CIVIL, LLC 7017 GLENMORE AVE., SUITE #4 ST. LOUIS, MISSOURI, 63121 PHONE: 314-724-3127	Date: DEC. 2009	Sheet: 11 of 12