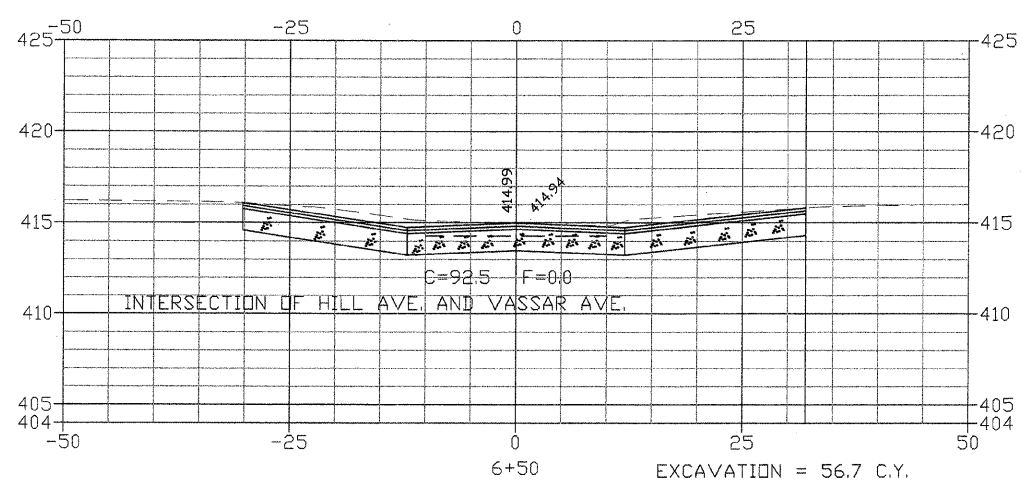
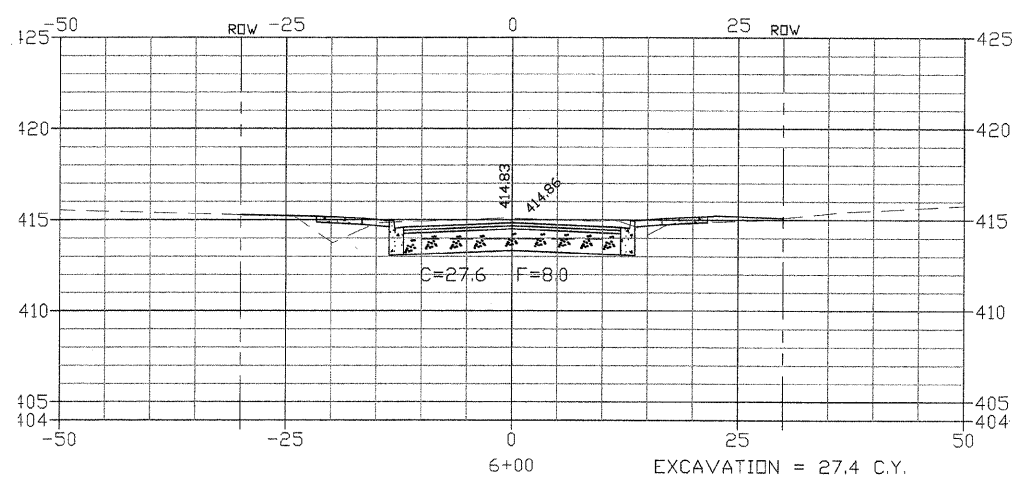
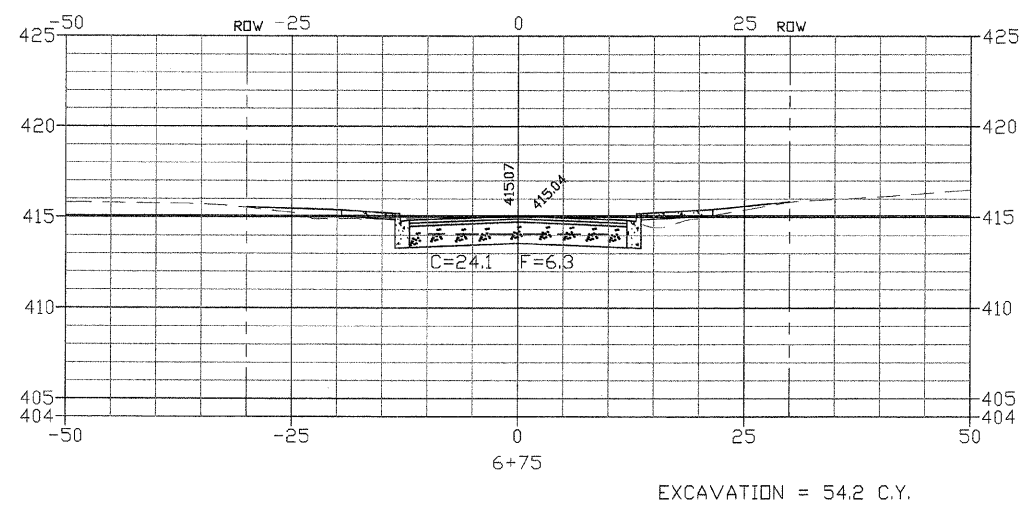
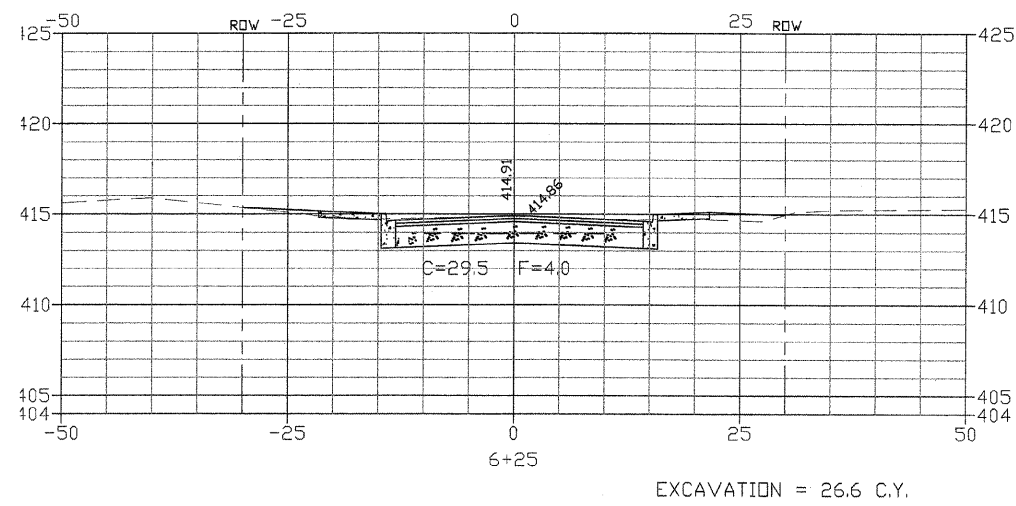


F.A.U. RTE. 9238	SECTION 09-00022-00-PV	COUNTY ST. CLAIR ILLINOIS	TOTAL SHEETS 12	SHEET NO. 12
CONTRACT NO. 97421				



SCALE: HORIZONTAL-1"=10'
VERTICAL-1"=5'

Designed: L.T.	VILLAGE OF WASHINGTON PARK STREET IMPROVEMENTS	
Drawn: W.C.	CROSS-SECTIONS	
Checked: L.T.		
Prepared: THOMPSON CIVIL, LLC 7017 GLENMORE AVE., SUITE #4 ST. LOUIS, MISSOURI, 63121 PHONE: 314-724-3127	Date: DEC. 2009	Sheet: 12 of 12