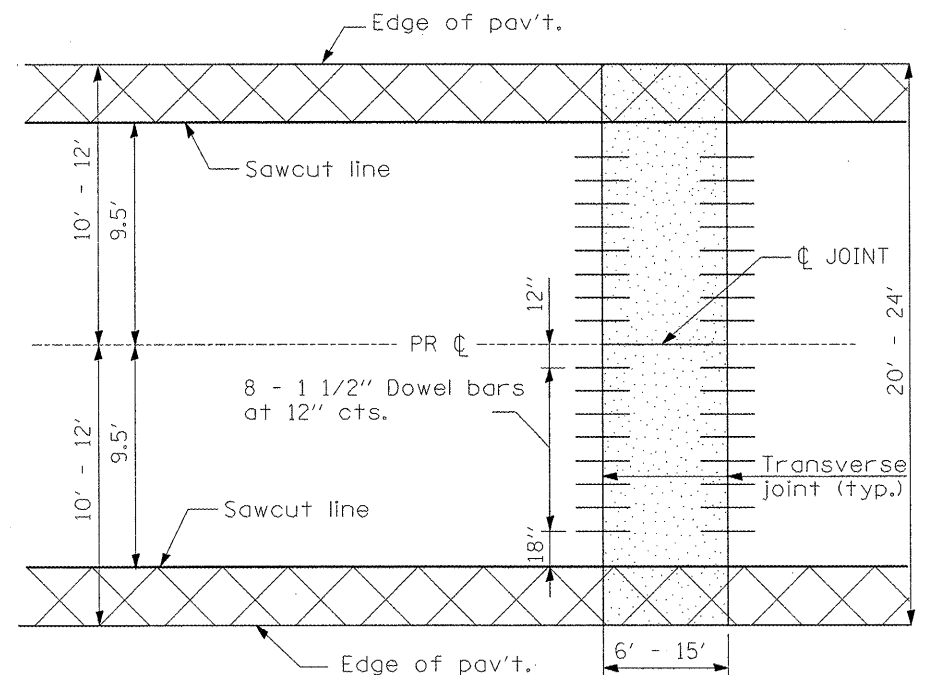


CENTERLINE JOINT

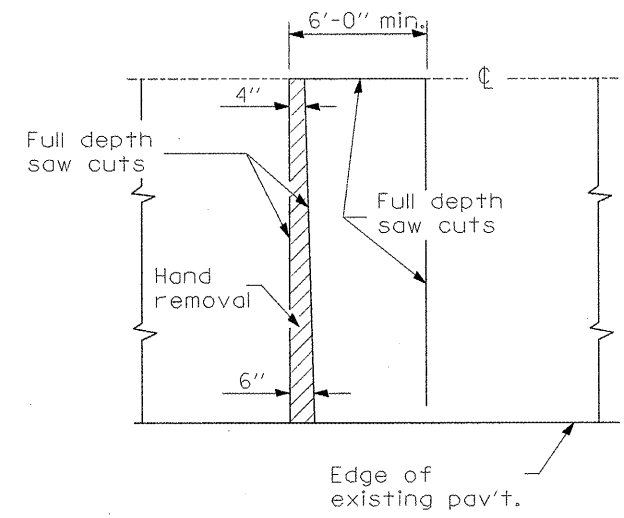


PATCHING DETAIL WITHOUT EXPANSION JOINT

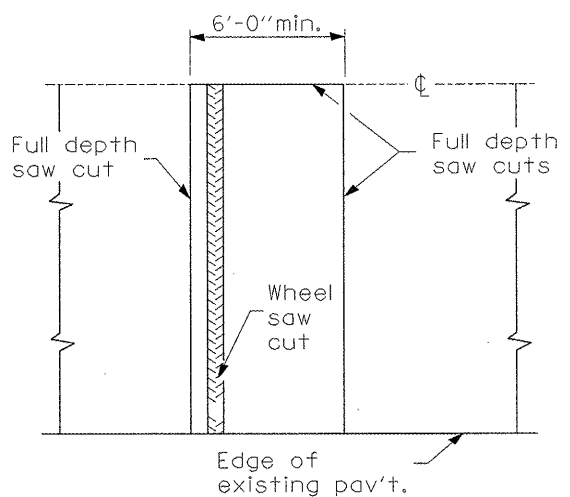


GENERAL NOTES

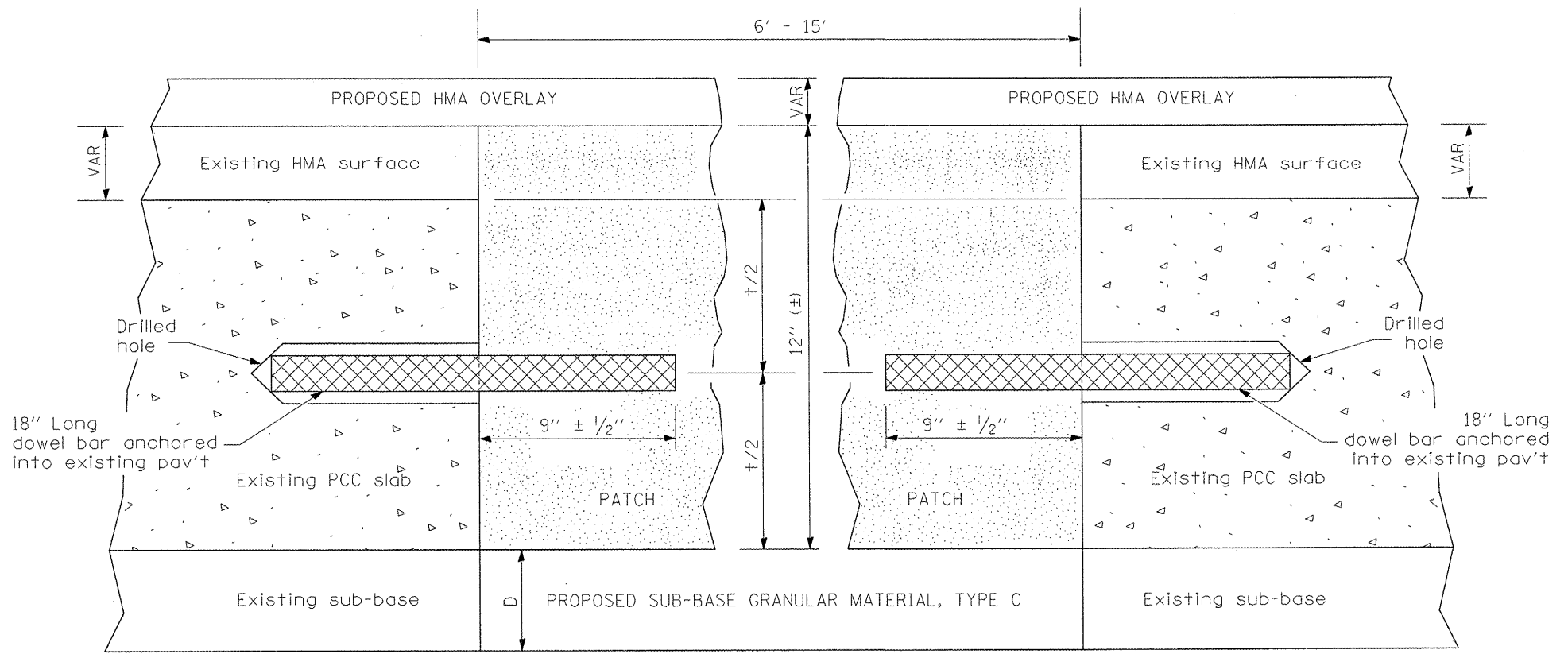
The transverse joints for Class B patches shall align with joints or cracks in the adjacent lane whenever possible.
 See Standard 420701 for details of pavement fabric.



PAVEMENT SAWING DETAIL (AGG SHOULDER)



ALTERNATE SAWING DETAIL (AGG SHOULDER)



TRANSVERSE JOINT

D = DEPTH OF PROPOSED SUB-BASE (VARIES BY LOCATION)

FILE NAME =	USER NAME = #USER#	DESIGNED - CRW	REVISED -	STATE OF ILLINOIS DEPARTMENT OF TRANSPORTATION	PAVEMENT PATCHING DETAILS				F.A.U. RTE.	SECTION	COUNTY	TOTAL SHEETS	SHEET NO.
#FILEL#		DRAWN - EDW	REVISED -		SCALE:	SHEET NO.	OF	SHEETS	STA.	TO STA.	BOND	85	54
HMG JOB NO. 6314.1		CHECKED -	REVISED -								CONTRACT NO. 97426		
		DATE -	REVISED -								ILLINOIS FED. AID PROJECT		