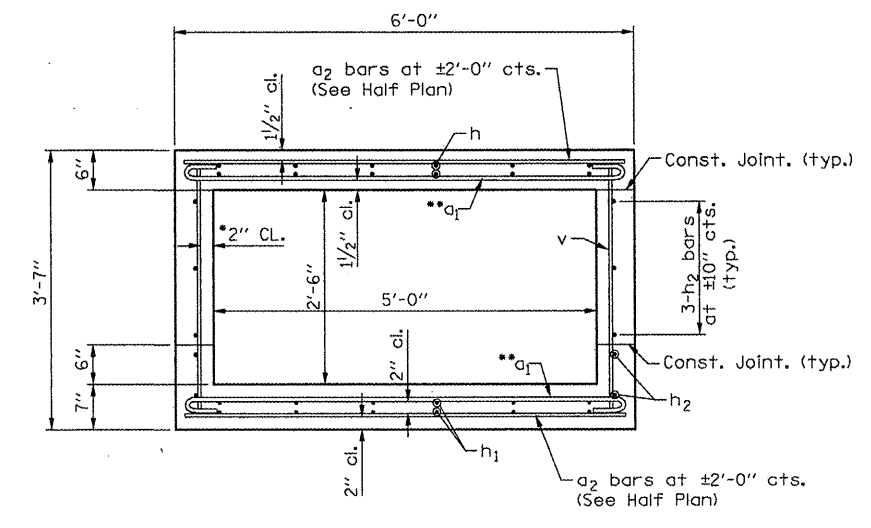
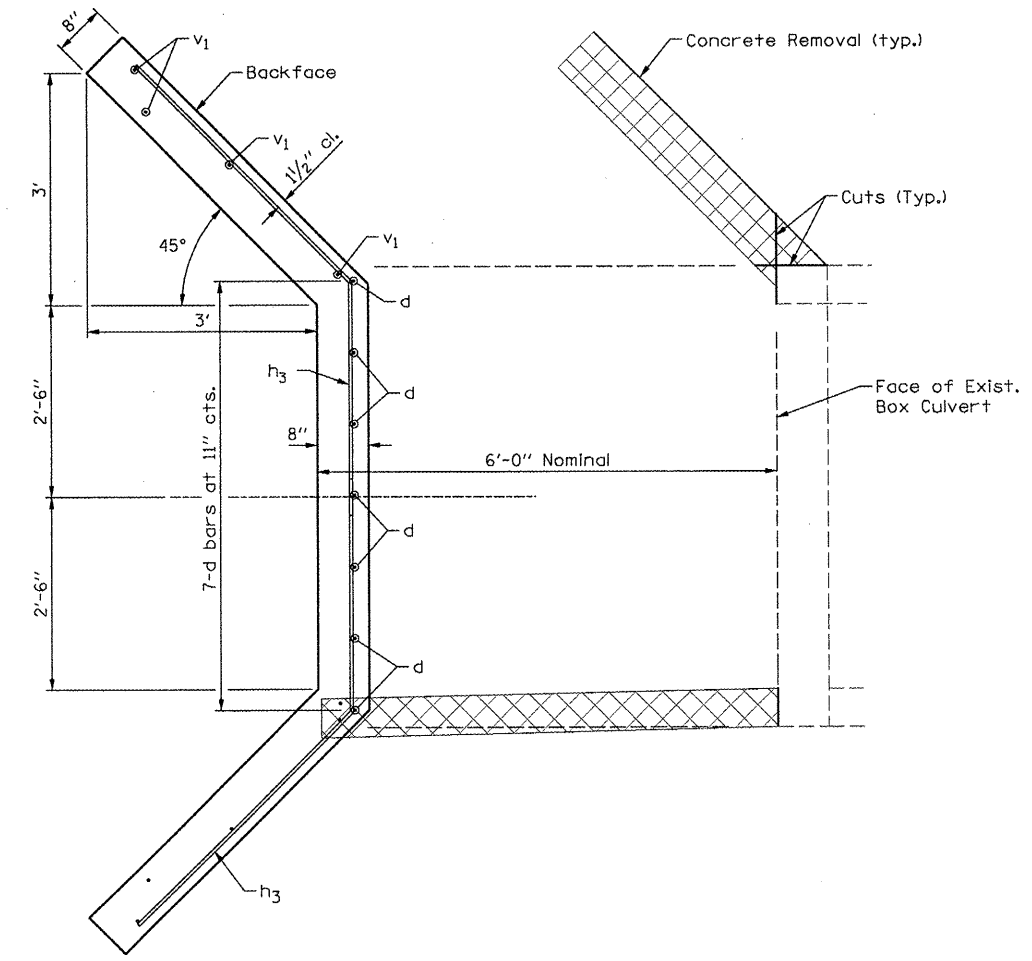


GENERAL PLAN

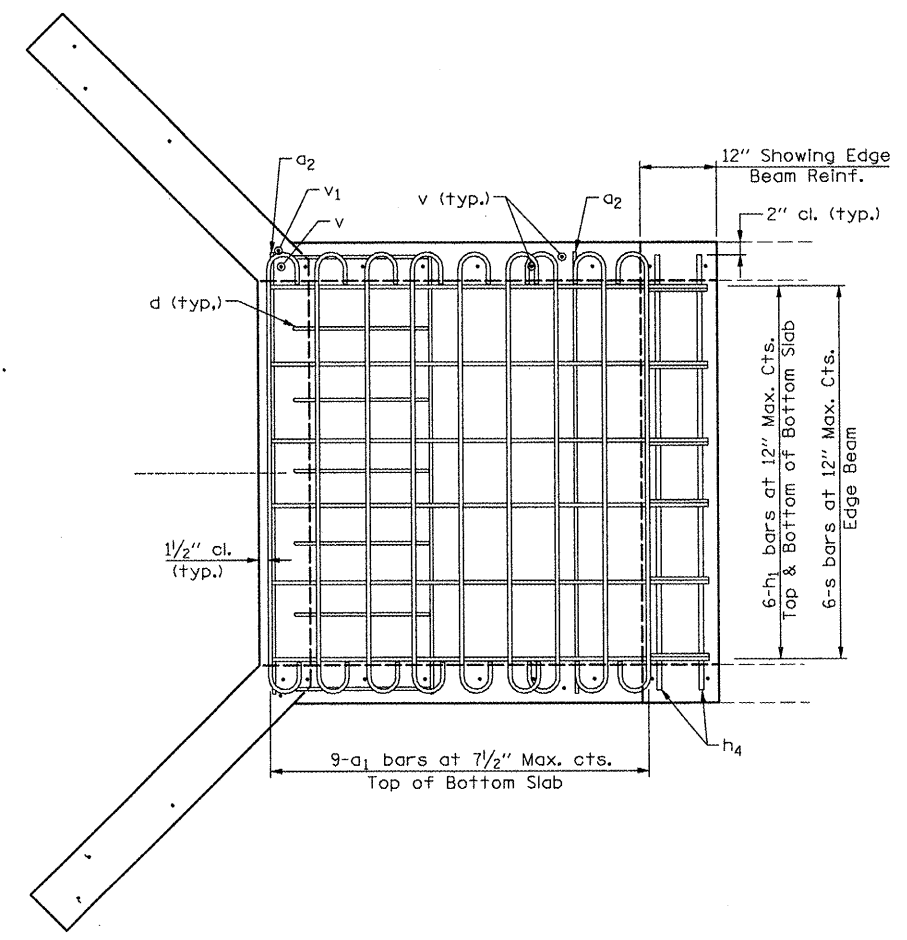


SECTION THROUGH BARREL

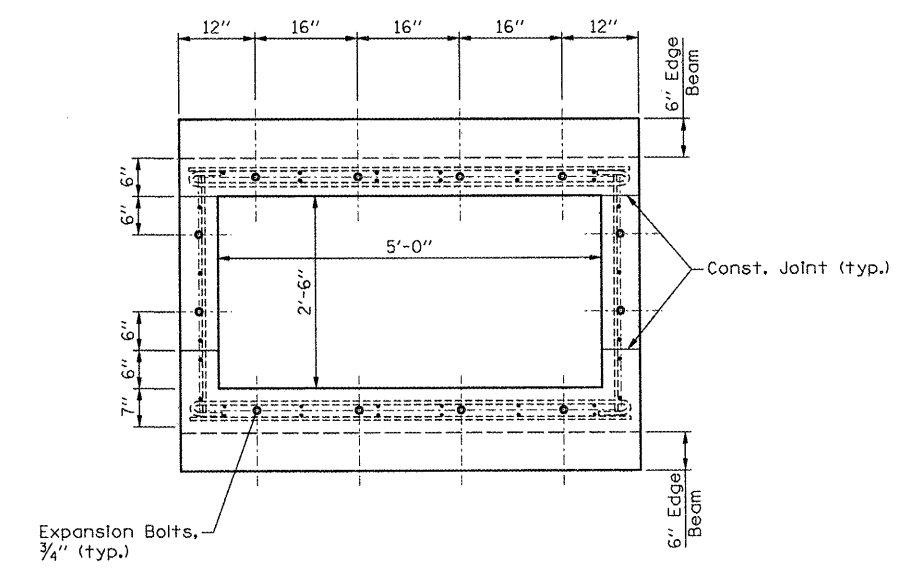
- Reg. for bar placement
- Tilt hook of bar to provide clearance



HALF PLAN TOEWALL



HALF PLAN BOTTOM SLAB & EDGE BEAM



EXPANSION BOLT PLACEMENT ELEVATION

FILE NAME = SS_BOXCULV11632.63141.dgn	USER NAME = #USER#	DESIGNED - CRW	REVISED -
#FILE#		DRAWN - CRW & EDW	REVISED -
	PLOT SCALE = #SCALE#	CHECKED -	REVISED -
HMG JOB NO. 6314.1	PLOT DATE = #DATE#	DATE - 1-7-10	REVISED -

**STATE OF ILLINOIS
DEPARTMENT OF TRANSPORTATION**

CONCRETE BOX CULVERT DETAILS			
S. FOURTH ST. - STA. 116 + 32.59			
SCALE:	SHEET NO. OF SHEETS	STA. TO STA.	

F.A.U. RTE.	SECTION	COUNTY	TOTAL SHEETS	SHEET NO.
9833	05-00016-02-WR	BOND	85	56
CONTRACT NO. 97426				
ILLINOIS FED. AID PROJECT				