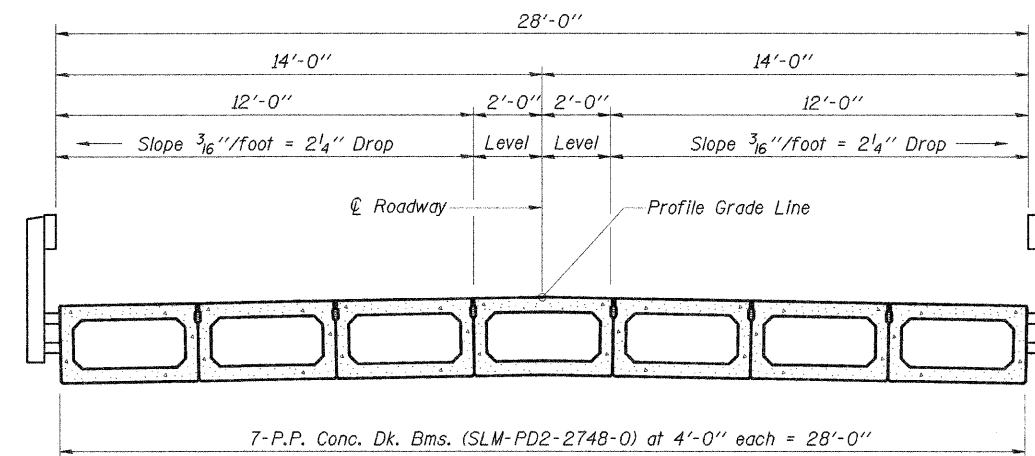
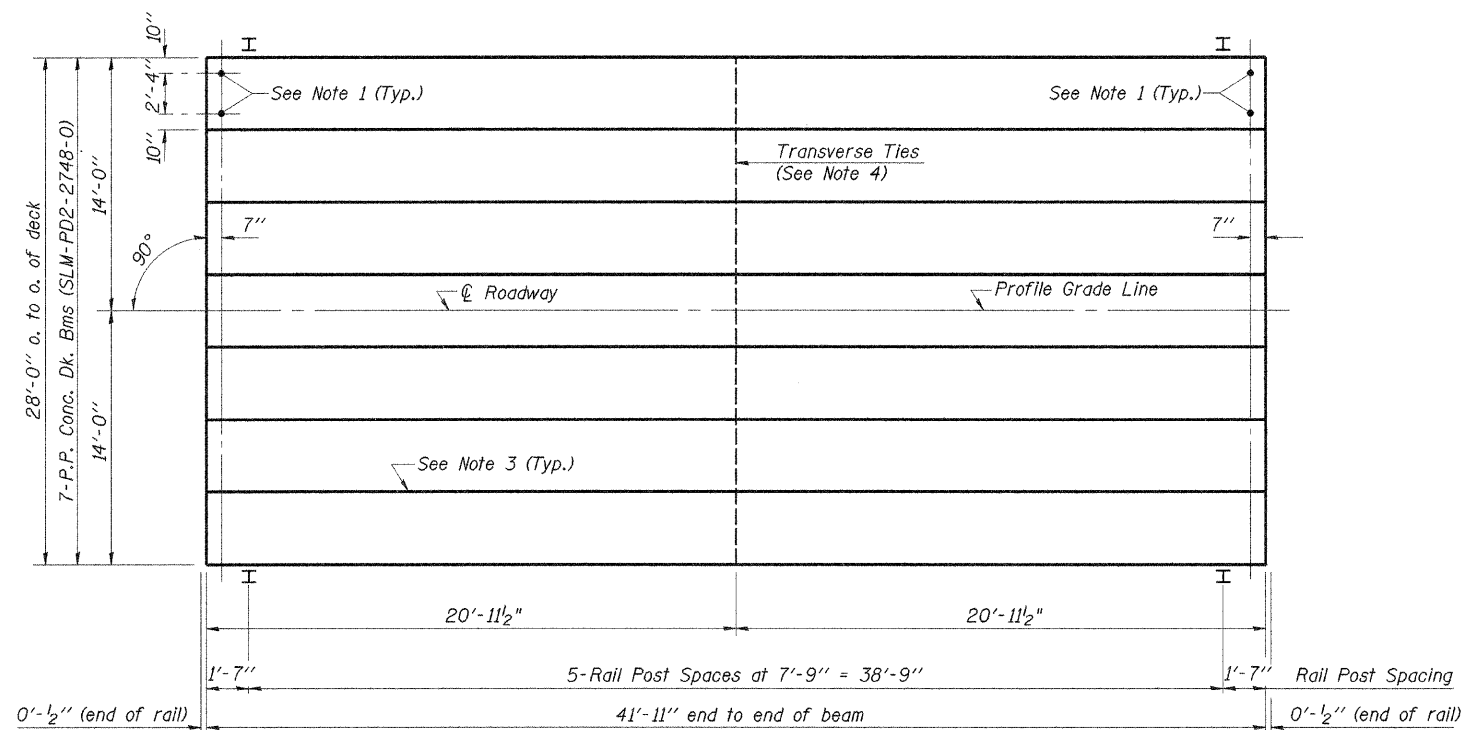


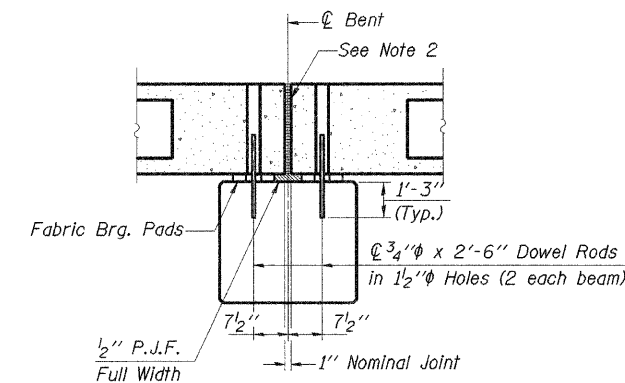
TYPICAL ELEVATION



CROSS SECTION



PLAN



SECTION AT PIERS

(Along $\text{\textcircled{C}}$ Beams)

QUANTITIES FOR ONE SPAN

| | |
|----------------------------|--------------|
| P.P. Conc. Dk. Bm. 27" Dp. | 1176 Sq. Ft. |
| Steel Railing | 84 Ft. |

NOTES

1. After beams have been erected, holes shall be drilled into substructure and anchor dowels placed. Dowel holes shall be filled with non-shrink grout to top of beam and allowed to cure min. 24 hrs. prior to grouting the shear keys.
2. Nominal 1" joint at $\text{\textcircled{C}}$ Pier shall be filled with non-shrink grout.
3. Longitudinal keys shall be grouted.
4. The 1" ϕ rods in the transverse tie assembly shall be tightened to a snug fit and the threads set. Pockets that receive transverse tie bar outside shall be filled with grout after transverse tie assembly is in place.

| | |
|---|---|
| AECOM 2524 S. Broadway Salem, Illinois 62861 618.548.3500 IL Design Firm Reg. No. 184-003706 www.aecom.com | SLM-CS-2827-42 P.P.C. DECK BEAM SUPERSTRUCTURE |
| | Date: 01/20/10 Design: Drawn: Job No.: 200705594 |