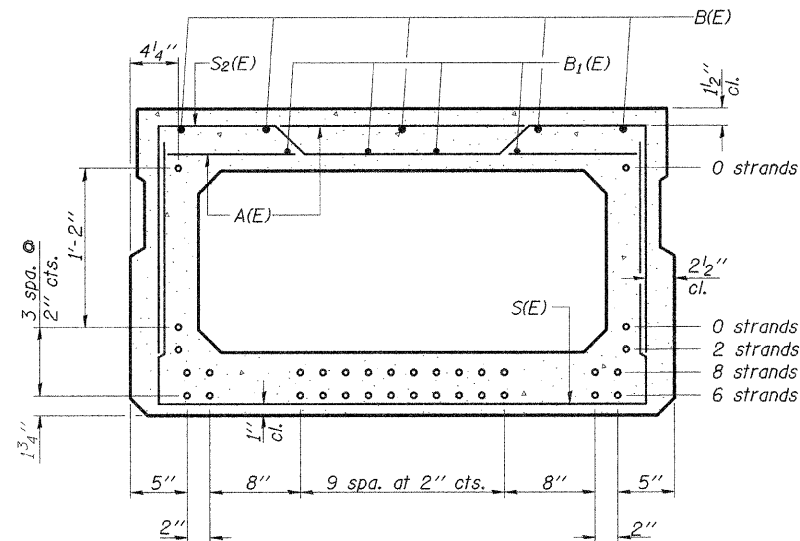


SECTION A-A
(Showing dimensions)



SECTION A-A

(Showing reinforcement and permissible strand locations)
Note: Place the number of strands specified in each row symmetrically about the centerline of beam in the permissible strand locations shown.

Strands: 16 - 1/2" φ strands.

BAR LIST
ONE BEAM ONLY
(For information only)

Bar	No.	Size	Length	Shape
A(E)	36	#4	3'-7"	—
B(E)	5	#5	41'-7"	—
B1(E)	4	#4	41'-7"	—
S(E)	60	#4	7'-5"	⌈
S1(E)	10	#4	6'-11"	⌈
S2(E)	50	#4	7'-2"	⌈
U(E)	12	#5	4'-6"	⌈
U1(E)	4	#4	6'-0"	⌈

Note: See sheet SLM-PD2-2748-0D for additional details.
See sheet SLM-CS-2827-42 for Bill of Material.

Note: Spacing of S(E) and S2(E) bars may be adjusted up to 4" in the immediate area of the transverse tie diaphragms to miss the block outs for the transverse ties.

<p>AECOM</p> <p>2524 S. Broadway Salem, Illinois 62881 618.548.3500</p> <p>IL Design Firm Reg. No. 164-003706 www.aecom.com</p>	<p>SLM-PD2-2748-0</p> <p>P.P.C. DECK BEAM DETAILS AND SECTIONS</p>
	<p>Date: 01/20/10</p> <p>Design:</p> <p>Drawn:</p> <p>Job No.: 200705594</p>