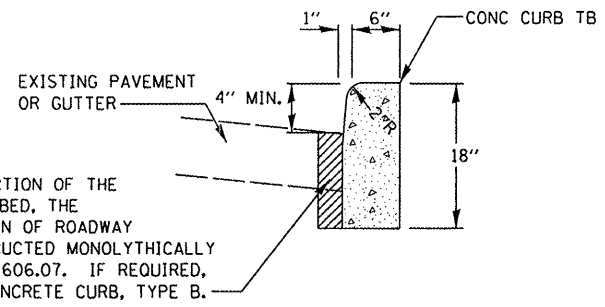


PLAN
 SURVEYED _____
 ALIGNED _____
 RT. OF WAY CHECKED _____
 DATE _____
 BY _____
 NOTE BOOK NO. _____
 SUD FILE NAME _____

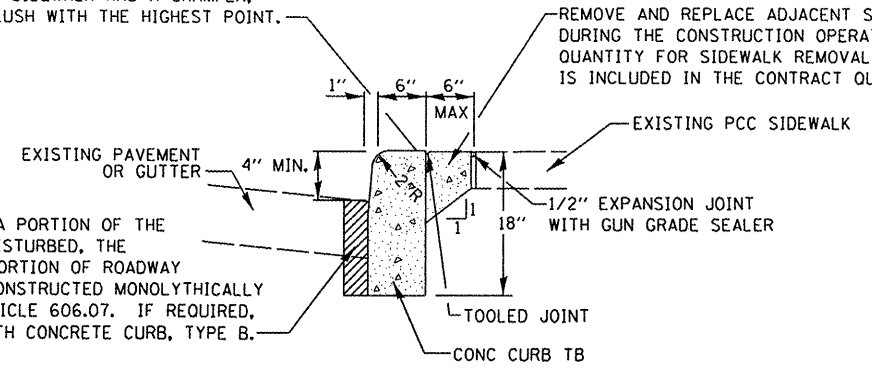
PROFILE
 SURVEYED _____
 GRADES CHECKED _____
 ELEM. NOTED _____
 STRUCTURE NOTATED _____
 DATE _____
 BY _____
 NOTE BOOK NO. _____



IF REMOVAL OPERATIONS REQUIRE A PORTION OF THE EX PAVEMENT STRUCTURE TO BE DISTURBED, THE CONTRACTOR SHALL REPAIR THIS PORTION OF ROADWAY WITH FULL DEPTH PCC WIDENING CONSTRUCTED MONOLITHICALLY WITH THE CURB ACCORDING TO ARTICLE 606.07. IF REQUIRED, THIS WORK SHALL BE INCLUDED WITH CONCRETE CURB, TYPE B.

CONCRETE CURB, TYPE B DETAIL
 (NOT TO SCALE)

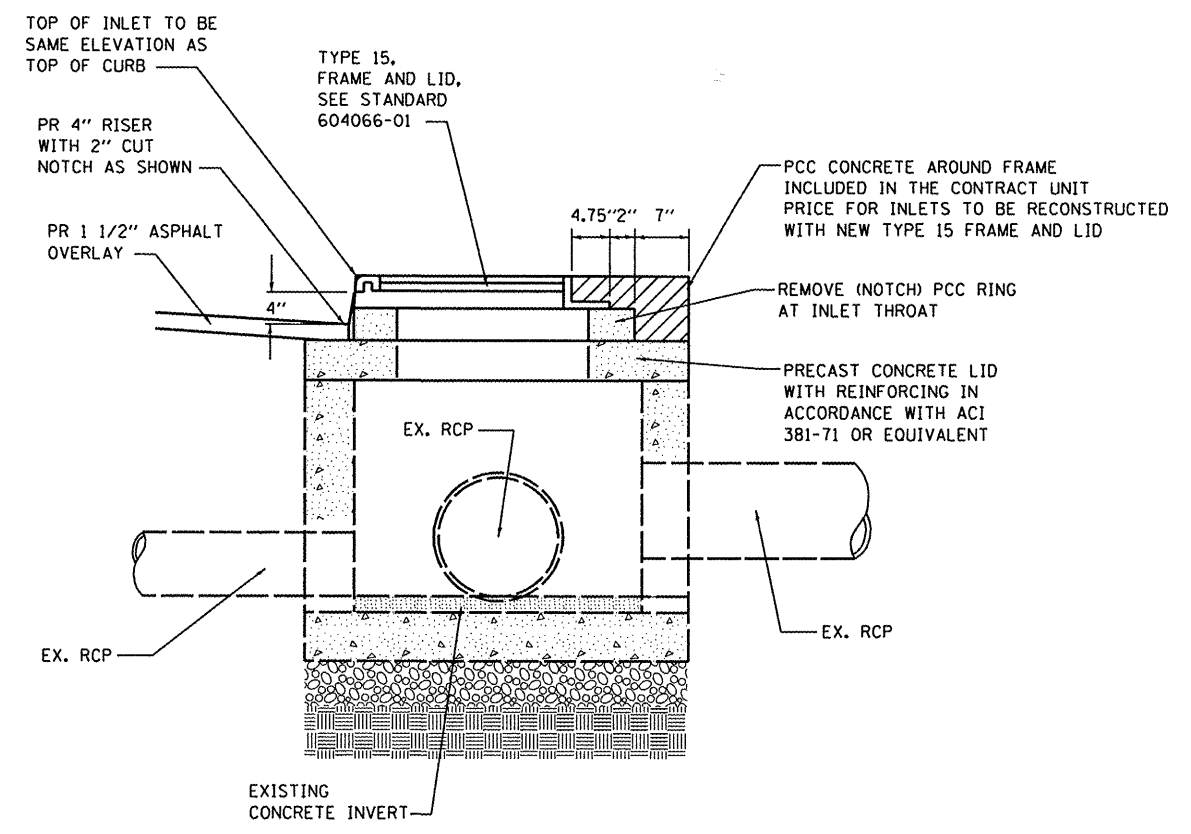
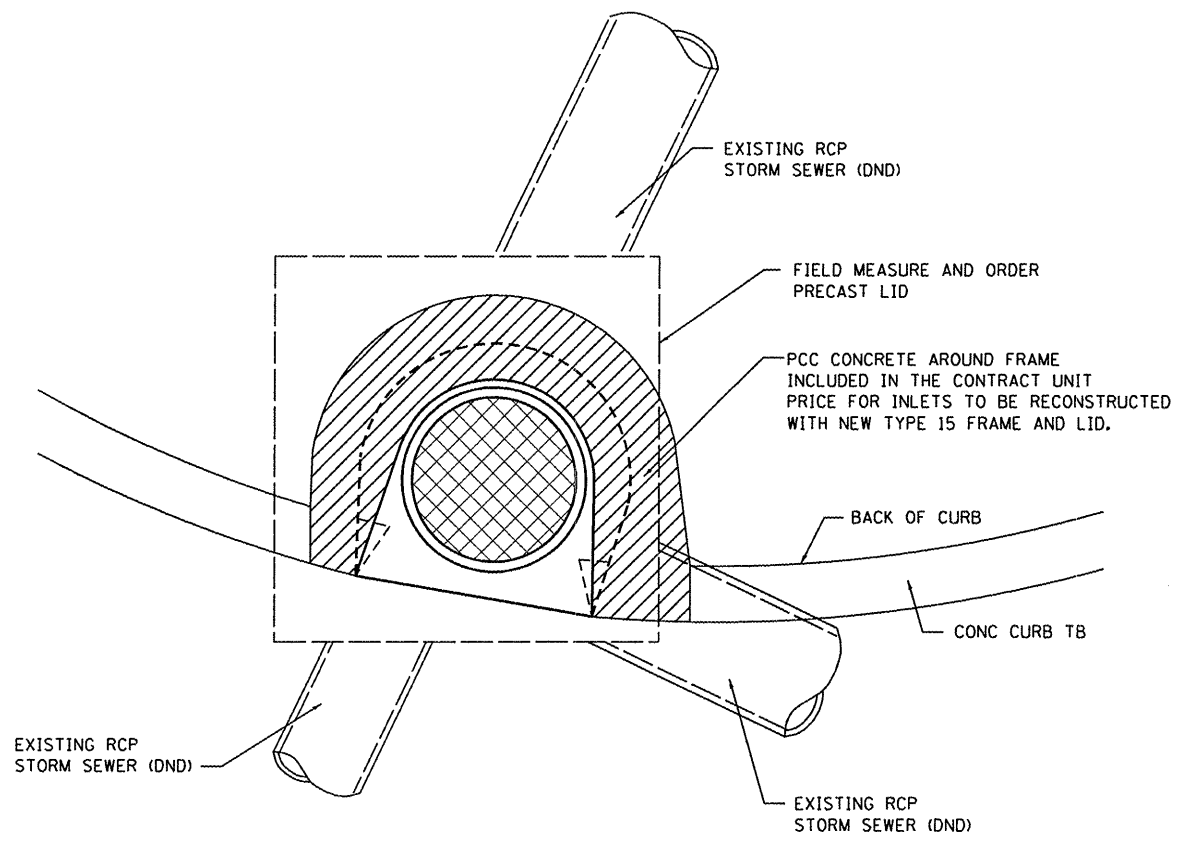
CONSTRUCT TOP OF CURB FLUSH WITH TOP OF ADJACENT SIDEWALK. IF THE ADJACENT SIDEWALK HAS A CHAMFER, CONSTRUCT FLUSH WITH THE HIGHEST POINT.



REMOVE AND REPLACE ADJACENT SIDEWALK DISTURBED DURING THE CONSTRUCTION OPERATIONS. AN ESTIMATED QUANTITY FOR SIDEWALK REMOVAL AND PR PC SIDEWALK, 4" IS INCLUDED IN THE CONTRACT QUANTITIES FOR THIS WORK.

IF REMOVAL OPERATIONS REQUIRE A PORTION OF THE EX PAVEMENT STRUCTURE TO BE DISTURBED, THE CONTRACTOR SHALL REPAIR THIS PORTION OF ROADWAY WITH FULL DEPTH PCC WIDENING CONSTRUCTED MONOLITHICALLY WITH THE CURB ACCORDING TO ARTICLE 606.07. IF REQUIRED, THIS WORK SHALL BE INCLUDED WITH CONCRETE CURB, TYPE B.

CONCRETE CURB, TYPE B DETAIL ADJACENT TO EXISTING SIDEWALK
 (NOT TO SCALE)



INLET RECONSTRUCTION DETAIL
 (NOT TO SCALE)

- LOCATIONS:
- 21+76 28' LT
 - 21+79 30' RT
 - 22+11 30' RT
 - 22+14 20' LT
 - 25+26 23' LT
 - 25+60 29' RT
 - 25+62 23' LT
 - 27+66 19' LT

FILE NAME = H:\P\26074\microstation\674 int details01	USER NAME = travis	DESIGNED - #gn	REVISED -	STATE OF ILLINOIS DEPARTMENT OF TRANSPORTATION	MISCELLANEOUS DETAILS	F.A.I. RTE. 8876	SECTION 08-00098-00-PV	COUNTY MADISON	TOTAL SHEETS 17	SHEET NO. 17		
PLOT SCALE = 40,0000' / IN.	CHECKED -	REVISED -	SCALE:			SHEET NO. 2 OF 2 SHEETS	STA.	TO STA.	CONTRACT NO. 97437			
PLOT DATE = 2/18/2010	DATE -	REVISED -	ILLINOIS FED. AID PROJECT									