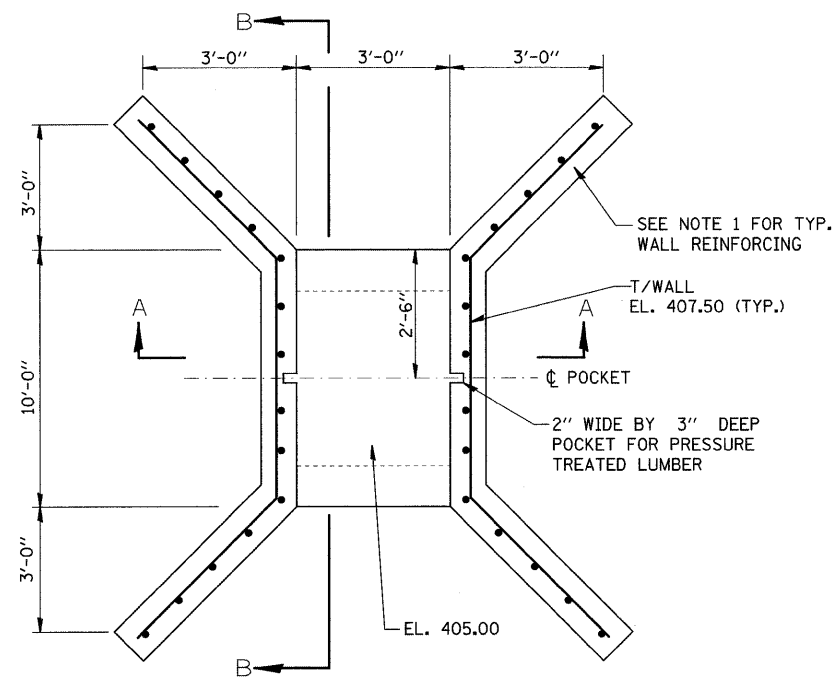


DRAINAGE CONTROL STRUCTURE #2



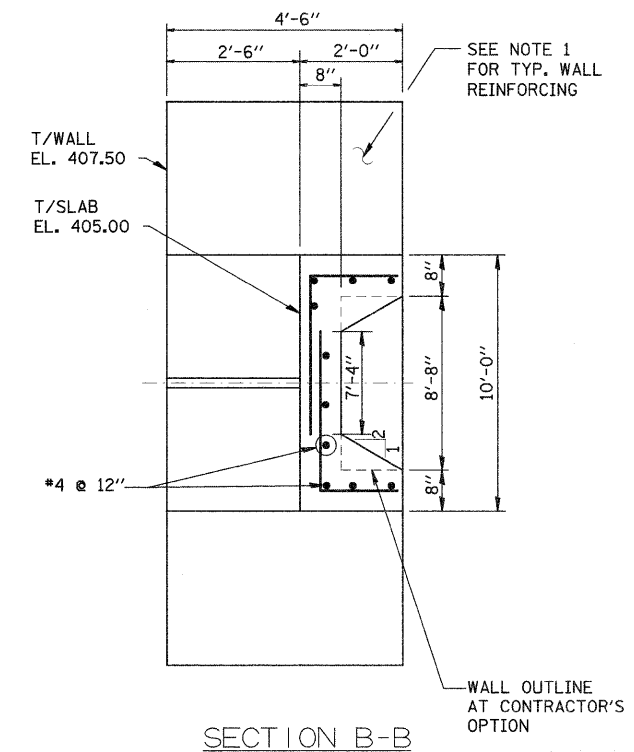
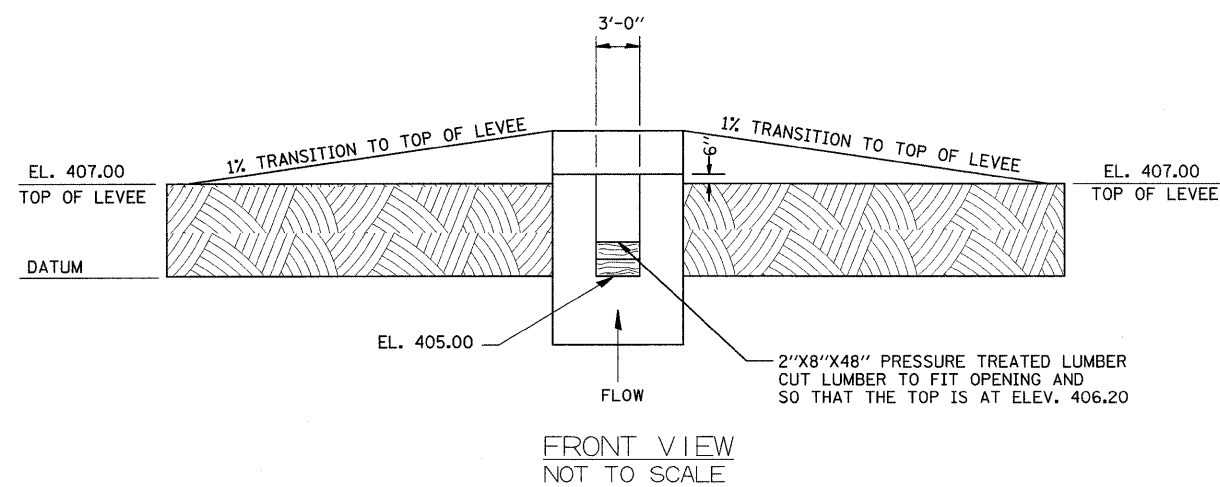
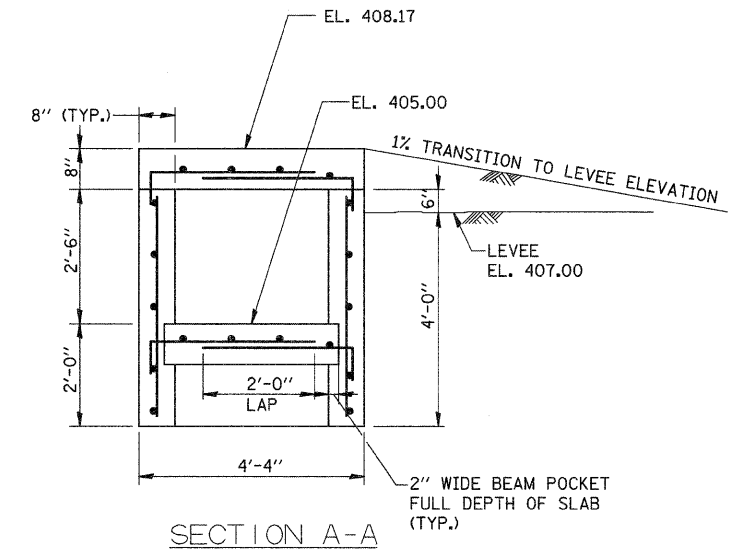
PLAN

NOTES:

1. TYPICAL WALL REINFORCING VERTICAL BARS #4 @ 12" HORIZONTAL BARS #5 @ 12".
2. PLACE WALL AND SLAB REINFORCING IN CENTER OF WALL.
3. ALL EXPOSED EDGES OF WALLS SHALL BE CHAMFERED 3/4".

BILL OF MATERIAL

Class SI Concrete (Miscellaneous)	Cu. Yds.	6.5
Reinforcement Bars	Lbs.	382
2"X8"X48" Pressure Treated Lumber	Each	2



FILE NAME =	USER NAME = rollav	DESIGNED -	REVISED -	STATE OF ILLINOIS DEPARTMENT OF TRANSPORTATION	DETAIL - DRAINAGE CONTROL STRUCTURE #2	F.A.P. RTE.	SECTION	COUNTY	TOTAL SHEETS	SHEET NO.	
c:\pwork\psidot\rollavr\dms46104\sp111\det.dgn		DRAWN -	REVISED -			853	*	FRANKLIN	34	13	
PLOT SCALE = 50.0000' / IN.		CHECKED -	REVISED -			CONTRACT NO. 98907					
PLOT DATE = 12/7/2009		DATE -	REVISED -			ILLINOIS FED. AID PROJECT					
					SCALE: NTS	SHEET NO.	OF SHEETS	STA.	TO STA.		