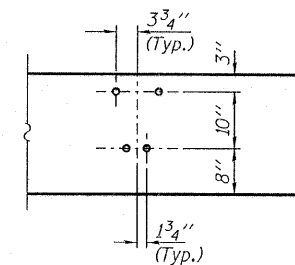
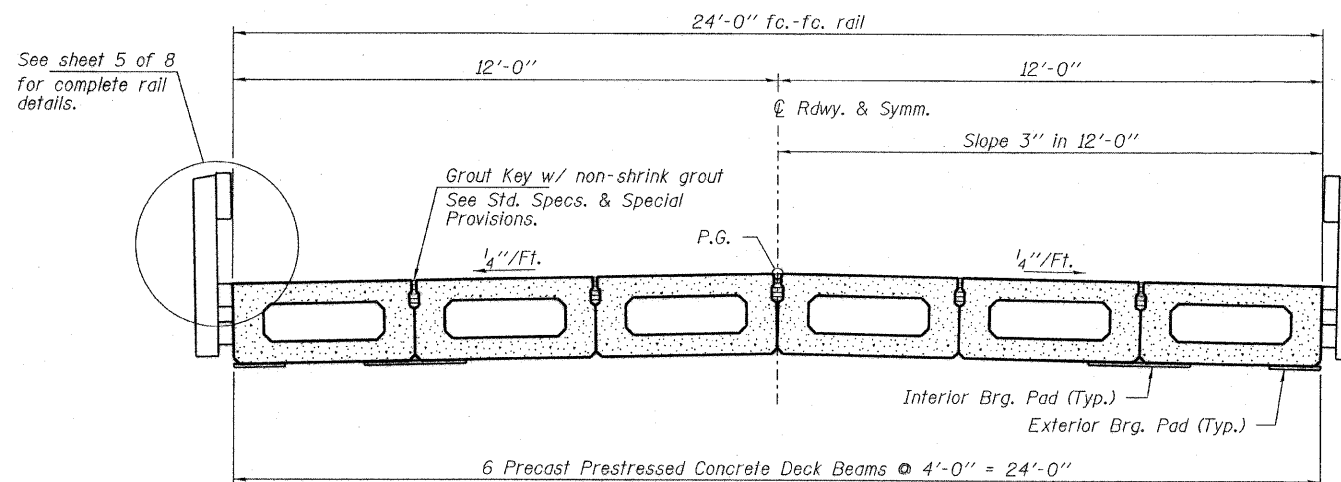


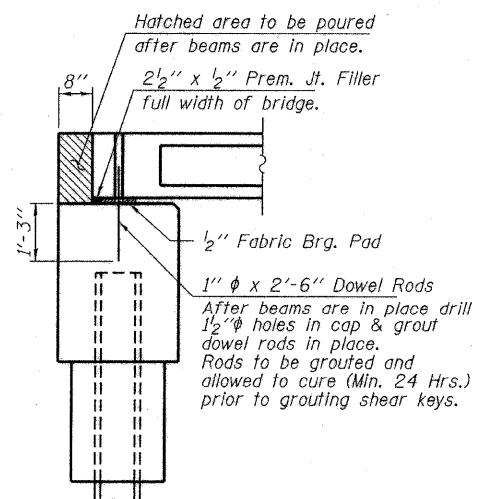
ELEVATION
Showing Rail Post Spaces
See sheet 5 of 8 for Railing Details.



DETAIL A



CROSS SECTION
See sheets 2 & 3 of 8 for Superstructure.



SECTION AT ABUTMENTS
@ Rt. L's

DESIGNED - A.S.L.
CHECKED - S.W.M.
DRAWN - D.A.B.
CHECKED - D.T.M.

SUPERSTRUCTURE DETAILS
STRUCTURE NO. 097-3256

HAMPTON, LENZINI & RENWICK, INC. CIVIL & STRUCTURAL ENGINEERS LAND SURVEYORS HLR 3085 STEVENSON DRIVE, SUITE 201 SPRINGFIELD, ILLINOIS 62703 (217) 546-3400 PROJECT NUMBER: 08.0260.130 DATE: 10/15/09	SHEET NO. 4	T.R.	SECTION	COUNTY	TOTAL SHEETS	SHEET NO.
	8 SHEETS	128	06-08134-00-BR	WHITE	12	8
		INDIAN CREEK ROAD DISTRICT		CONTRACT NO. 99373		
		FED. ROAD DIST. NO.	ILLINOIS	FED. AID PROJECT BROS-193(30)		