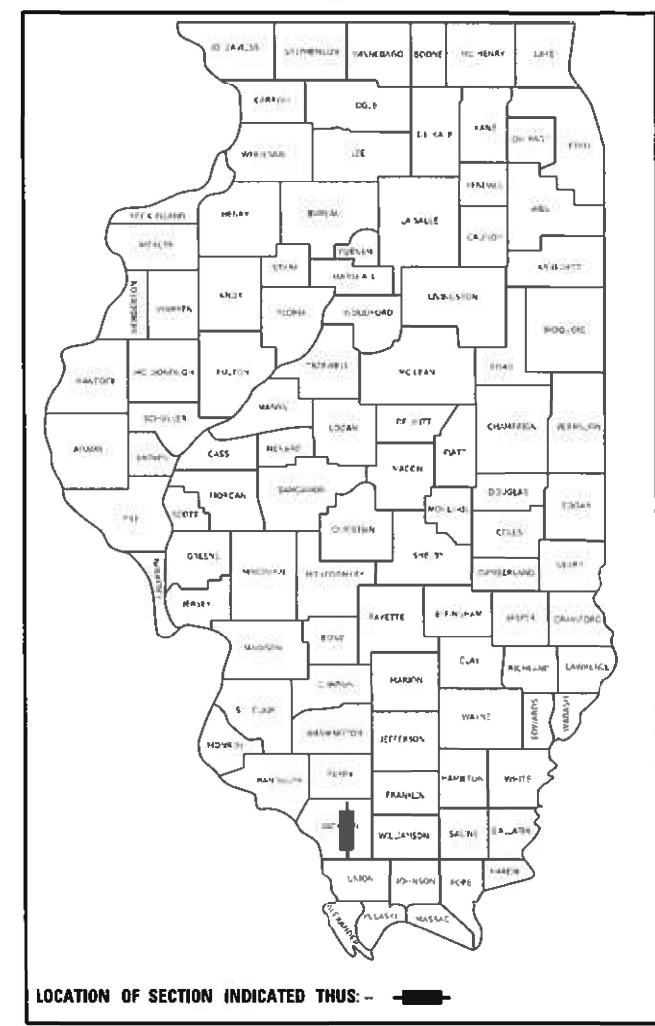


STATE OF ILLINOIS
DEPARTMENT OF TRANSPORTATION

F.A.U. RTE.	SECTION	COUNTY	TOTAL SHEETS	SHEET NO.
78820	13RS-4	JACKSON	22	1
		ILLINOIS	CONTRACT NO. 78820	

D-99-075-20



**PROPOSED
HIGHWAY PLANS**

**FAU ROUTE 9675/9664 (N 14TH ST/11TH ST)
SECTION 13RS-4
PROJECT STP-FGRG(465)
RESURFACING
JACKSON COUNTY**

FOR INDEX OF SHEETS, SEE SHEET NO. 3
FOR SUMMARY OF QUANTITIES, SEE SHEET NO. 6-8

TRAFFIC DATA

14th St. Ava Rd to Poplar St.			
	2018	2021	2041
PV -	4,570	4,710	5,745
SU -	400	410	505
MU -	30	30	40
ADT -	5,000	5,150	6,290

Poplar & 11th St. 14th St. to Walnut St.			
	2018	2021	2041
PV -	2,030	2,095	2,555
SU -	200	205	250
MU -	20	20	25
ADT -	2,250	2,320	2,830

**TOWNSHIPS
MURPHYSBORO**

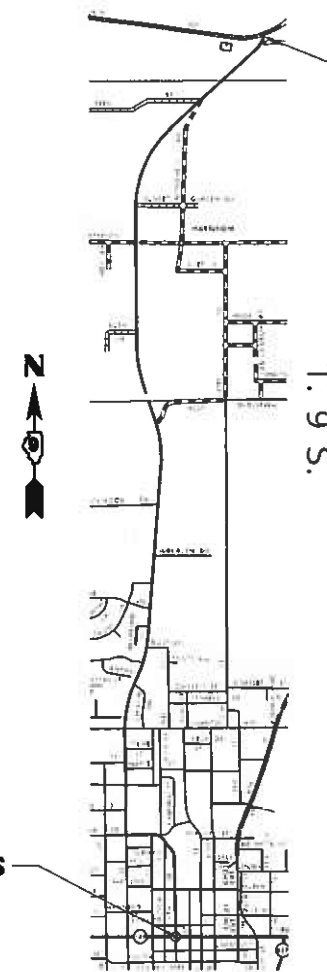
DESIGN DESIGNATION : 565(41) Minor Arterial 0.07(HMA-20)
COORDINATE SYSTEM : NAD 1983
STATEPLANE ILLINOIS WEST
POSTED SPEED : 20-55MPH

J.U.L.I.E.
JOINT UTILITY LOCATION INFORMATION FOR EXCAVATION
1-800-892-0123
OR 811

PROJECT ENGINEER VALERIE ROLLA
PROJECT DESIGNER BRANDY MAES

CONTRACT NO. 78820

C-99-095-20
R. 2 W.
PROJECT ENDS
14TH ST
STA. 153 + 00



PROJECT BEGINS
11TH ST
STA. 58 + 82

GROSS LENGTH = 19352 FT. = 3.67 MILES
NET LENGTH = 19172 FT. = 3.63 MILES

STATE OF ILLINOIS
DEPARTMENT OF TRANSPORTATION

SUBMITTED 01-27-21
KRO
REGION FIVE ENGINEER

March 19, 2021
Scott A. Clark
ENGINEER OF DESIGN AND ENVIRONMENT

March 19, 2021
James J. Quinn
DIRECTOR OF HIGHWAYS PROJECT IMPLEMENTATION

**PRINTED BY THE AUTHORITY
OF THE STATE OF ILLINOIS**

MDP1: D:\out FILE NAME: any\glbroom.dwg\illinois.dwg\PROJECTS\178820-01\DOT\Documents\DOT District\Infr-9\Project\178820-01\DOT\CAD\Digital\CAD\sect3\178820-shb-svr-200.dwg

Prepared By: Charles Stein
DISTRICT STUDIES & PLANS ENGINEER

Examined By: Nancy Ho
DISTRICT LAND ACQUISITION ENGINEER

Examined By: Carrie Nelson
DISTRICT PROGRAM DEVELOPMENT ENGINEER

Examined By: Keith Kelly
DISTRICT OPERATIONS ENGINEER

Examined By: VR
DISTRICT PROJECT IMPLEMENTATION ENGINEER

Examined By: Douglas Muehl
DISTRICT CONSTRUCTION ENGINEER

Examined By: R. [Signature]
DISTRICT MATERIALS ENGINEER

USER NAME = rjapcsl	DESIGNED -	REVISED -
PLOT SCALE = 100.0000' / in.	DRAWN -	REVISED -
PLOT DATE = 1/14/2021	CHECKED -	REVISED -
	DATE -	REVISED -

**STATE OF ILLINOIS
DEPARTMENT OF TRANSPORTATION**

SIGNATURE SHEET

SCALE: SHEET OF SHEETS STA. TO STA.

F.A.U. RTE.	SECTION	COUNTY	TOTAL SHEETS	SHEET NO.
-	13RS-4	JACKSON	22	2
CONTRACT NO. 78820			ILLINOIS FED. AID PROJECT	

INDEX OF SHEETS

SHEET NO	DESCRIPTION
1	COVER SHEET
2	SIGNATURE SHEET
3	INDEX OF SHEETS & HIGHWAY STANDARDS
4	GENERAL NOTES & COMMITMENTS
5	MIX DESIGN
6-8	SUMMARY OF QUANTITIES
9-11	TYPICAL SECTIONS
12	RESURFACING SCHEDULE
13	ADA SCHEDULES
14	PAVEMENT MARKING SCHEDULE
15-20	PLAN SHEETS
21	PAVEMENT MARKING DETAILS
22	DISTRICT DETAILS

HIGHWAY STANDARDS

000001-08	Standard Symbols, Abbreviations and Patterns
001001-02	Areas of Reinforcement Bars
001006	Decimal of an Inch and of a Foot
424001-11	Perpendicular Curb Ramps for Sidewalks
424006-05	Diagonal Curb Ramps for Sidewalks
424011-04	Corner Parallel Curb Ramps for Sidewalks
424016-05	Mid-block Curb Ramps for Sidewalks
424021-06	Depressed Corner for Sidewalks
424026-03	Entrance / Alley Pedestrian Crossings
424031-02	Median Pedestrian Crossings
442201-03	Class C and D Patches
606001-07	Concrete Curb Type B and Combination Concrete Curb and Gutter
701001-02	Off-Road Operations, 2L, 2W, More Than 15' (4.5 m) Away
701006-05	Off-Road Operations, 2L, 2W, 15' (4.5 m) to 24" (600 mm) From Pavement Edge
701011-04	Off-Road Moving Operations, 2L, 2W, Day Only
701301-04	Lane Closure, 2L, 2W, Short Time Operations
701306-04	Lane Closure, 2L, 2W, Slow Moving Operations Day Only, for Speeds > 45 MPH
701311-03	Lane Closure, 2L, 2W, Moving Operations - Day Only
701336-07	Lane Closure, 2L, 2W, Work Areas in Series, for Speeds > 45 MPH
701501-06	Urban Lane Closure, 2L, 2W, Undivided
701801-06	Sidewalk, Corner or Crosswalk Closure
701901-08	Traffic Control Devices
780001-05	Typical Pavement Markings
781001-04	Typical Applications Raised Reflective Pavement Markers
814001-03	Handholes

REV. - MS

MODEL: Default
 FILE: M:\GIS\Projects\GIS\Projects\DOT\Office\District 9\Project\78820-08\CD\Drawings\78820-08-3-CV-001.dwg

	USER NAME = maesbl	DESIGNED -	REVISED -	STATE OF ILLINOIS DEPARTMENT OF TRANSPORTATION	INDEX OF SHEETS & HIGHWAY STANDARDS				F.A.U. RTE.	SECTION	COUNTY	TOTAL SHEETS	SHEET NO.		
		DRAWN -	REVISED -		SCALE:	SHEET	OF	SHEETS	STA.	TO STA.	*	13RS-4	JACKSON	22	3
	PLOT SCALE = 100.0000' / in.	CHECKED -	REVISED -		CONTRACT NO. 78820										
	PLOT DATE = 1/27/2021	DATE -	REVISED -		ILLINOIS FED. AID PROJECT										

*9675/9664

HMA MIXTURE REQUIREMENTS

Location(s):	Hot-Mix Asphalt Surface Course
Mixture Use(s):	Polymerized Hot-Mix Asphalt Surface Course, Mix D, N70
AB/PG:	PG76-22
ABR % (Max):	See Special Provision
Design Air Voids:	4.0 %, 70 Gyration Design
Mixture Composition: (Mixture Gradation)	IL-9.5mm
Friction Aggregate:	D Surface
Mixture Weight:	112 lbs/Sq Yd/in
Quality Management Program:	QCQA
Sublot Size:	NA

Location(s):	Hot-Mix Asphalt Binder Course
Mixture Use(s):	Hot-Mix Asphalt Binder Course, N70, IL-19.0
AB/PG:	PG64-22
ABR % (Max):	See Special Provision
Design Air Voids:	4.0 %, 70 Gyration Design
Mixture Composition: (Mixture Gradation)	IL-19.0mm
Friction Aggregate:	None
Mixture Weight:	112 lbs/Sq Yd/in
Quality Management Program:	QCQA
Sublot Size:	NA

MODEL: Default
 FILE NAME: p:\pub\mroom.dwg
 PROJECT: 78820-ORP\DOT Documents\DOT Office\Drawings\78820-ORP\CAD\Drawings\CADsheets\78820-ORP-CR-ABR-Index.dgn

USER NAME = maesbl	DESIGNED -	REVISED -	STATE OF ILLINOIS DEPARTMENT OF TRANSPORTATION	MIX DESIGN			F.A.U. RTE.	SECTION	COUNTY	TOTAL SHEETS	SHEET NO.
PLOT SCALE = 100,0000' / in.	DRAWN -	REVISED -					13RS-4	JACKSON	22	5	
PLOT DATE = 1/27/2021	CHECKED -	REVISED -		SCALE: SHEET OF SHEETS STA. TO STA.			CONTRACT NO. 78820		ILLINOIS FED. AID PROJECT		
	DATE -	REVISED -		19675/9664							

SUMMARY OF QUANTITIES

COUNTY:	JACKSON CO	
ROUTE:	FAU 9675/9664	
FUNDING:	80% FED/20% STATE	80% FED/20% CITY
LOCATION:	URBAN	URBAN
	ROADWAY	ROADWAY
	0005	0005

CODE NUMBER	ITEM DESCRIPTION	UNIT	TOTAL QUANTITY	80% FED/20% STATE ROADWAY 0005	80% FED/20% CITY ROADWAY 0005
40600290	BITUMINOUS MATERIALS (TACK COAT)	POUND	33,052	32,423	629
40600990	TEMPORARY RAMP	SQ YD	149	149	
40602970	HOT-MIX ASPHALT BINDER COURSE, IL-9.5FG, N70	TON	6,058	6,058	
40604062	HOT-MIX ASPHALT SURFACE COURSE, IL-9.5, MIX "D", N70	TON	4,158	4,119	39
42400800	DETECTABLE WARNINGS	SQ FT	229	229	
44000155	HOT-MIX ASPHALT SURFACE REMOVAL, 1 1/2"	SQ YD	1,398		1,398
44000164	HOT-MIX ASPHALT SURFACE REMOVAL, 3 3/4"	SQ YD	48,035	48,035	
44000500	COMBINATION CURB AND GUTTER REMOVAL	FOOT	371	371	
44000600	SIDEWALK REMOVAL	SQ FT	2,881	2,881	
44201341	CLASS C PATCHES, TYPE II, 9 INCH	SQ YD	697	697	
44201345	CLASS C PATCHES, TYPE III, 9 INCH	SQ YD	257	257	
44201347	CLASS C PATCHES, TYPE IV, 9 INCH	SQ YD	289	289	
60255500	MANHOLES TO BE ADJUSTED	EACH	2	2	

MODEL: Default
 FILE NAME: P:\p13131313\p13131313\Documents\DOT - Office\District 9\Projects\7820-018\CD\Drawings\7820-018-CR-001.dwg

REV. - MS

USER NAME = maesbl PLOT SCALE = 100.0000' / in. PLOT DATE = 1/27/2021	DESIGNED - DRAWN - CHECKED - DATE -	REVISED - REVISED - REVISED + REVISED +	STATE OF ILLINOIS DEPARTMENT OF TRANSPORTATION	SUMMARY OF QUANTITIES	F.A.U. RTE. * 13RS-4	COUNTY JACKSON	TOTAL SHEETS 22	SHEET NO. 6
SCALE:				SHEET OF SHEETS STA. TO STA.		ILLINOIS FED. AID PROJECT *9675/9664		

SUMMARY OF QUANTITIES - CONT

COUNTY:	JACKSON CO	
ROUTE:	FAU 9675/9664	
FUNDING:	80% FED/20% STATE	80% FED/20% CITY
LOCATION:	URBAN	URBAN
	ROADWAY	ROADWAY
	0005	0005

CODE NUMBER	ITEM DESCRIPTION	UNIT	TOTAL QUANTITY		
60260100	INLETS TO BE ADJUSTED	EACH	6	6	
60265700	VALVE VAULTS TO BE ADJUSTED	EACH	3	3	
60605000	COMBINATION CONCRETE CURB AND GUTTER, TYPE B-6.24	FOOT	371	371	
67100100	MOBILIZATION	L SUM	1	1	
70100460	TRAFFIC CONTROL AND PROTECTION, STANDARD 701306	L SUM	1	1	
70100600	TRAFFIC CONTROL AND PROTECTION, STANDARD 701336	L SUM	1	1	
70102620	TRAFFIC CONTROL AND PROTECTION, STANDARD 701501	L SUM	1	1	
70107025	CHANGEABLE MESSAGE SIGN	CAL DA	14	14	
70300100	SHORT TERM PAVEMENT MARKING	FOOT	4,527	4,527	
70300150	SHORT TERM PAVEMENT MARKING REMOVAL	SQ FT	1,509	1,509	
70300210	TEMPORARY PAVEMENT MARKING LETTERS AND SYMBOLS	SQ FT	47	47	
70300220	TEMPORARY PAVEMENT MARKING - LINE 4"	FOOT	38,178	38,178	
70300240	TEMPORARY PAVEMENT MARKING - LINE 6"	FOOT	261	261	
70300260	TEMPORARY PAVEMENT MARKING - LINE 12"	FOOT	104	104	

MODEL: Default
 FILE NAME: p:\pub\amromm.dwt
 PROJECT: 78820-ORP\CAD\Drawings\CAD\Drawings\78820-ORP-CUR.dwg
 PLOT DATE: 1/27/2021

USER NAME = maesbl PLOT SCALE = 100,0000' / in. PLOT DATE = 1/27/2021	DESIGNED - DRAWN - CHECKED - DATE -	REVISED - REVISED - REVISED - REVISED -	STATE OF ILLINOIS DEPARTMENT OF TRANSPORTATION	SUMMARY OF QUANTITIES	SCALE:	SHEET OF SHEETS STA. TO STA.	F.A.U. RTE.	SECTION	COUNTY	TOTAL SHEETS	SHEET NO.	
							13RS-4	JACKSON	22	7	CONTRACT NO. 78820	
							ILLINOIS	FED. AID PROJECT				

SUMMARY OF QUANTITIES - CONT

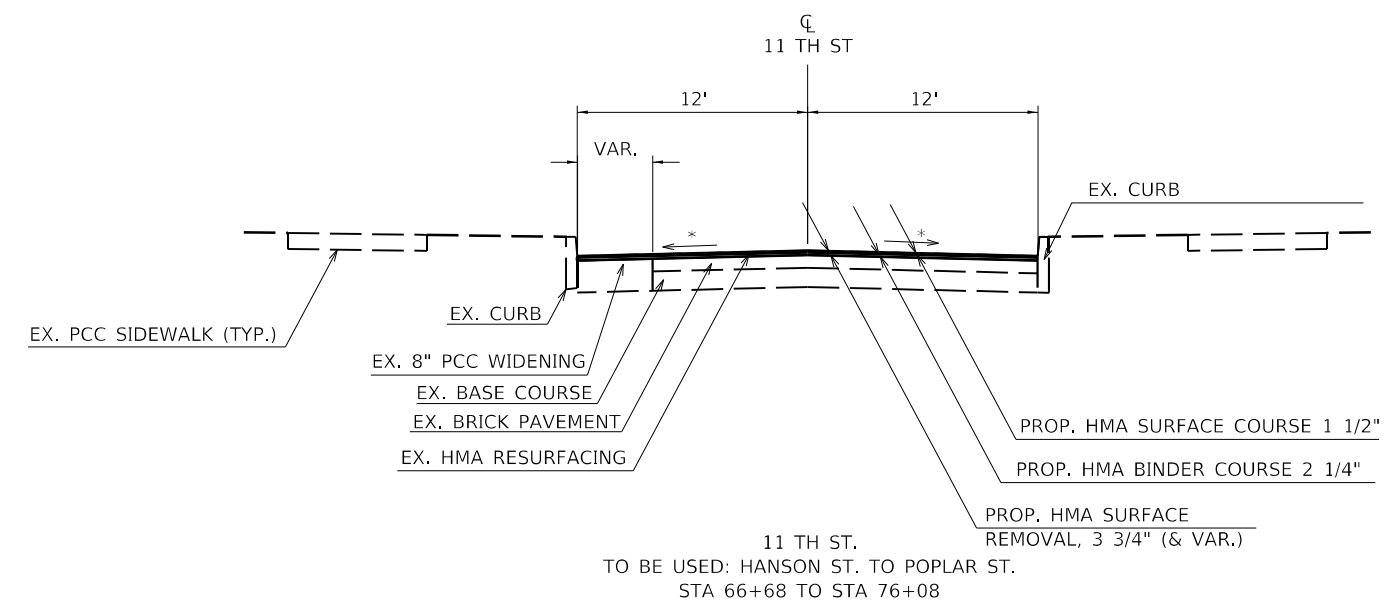
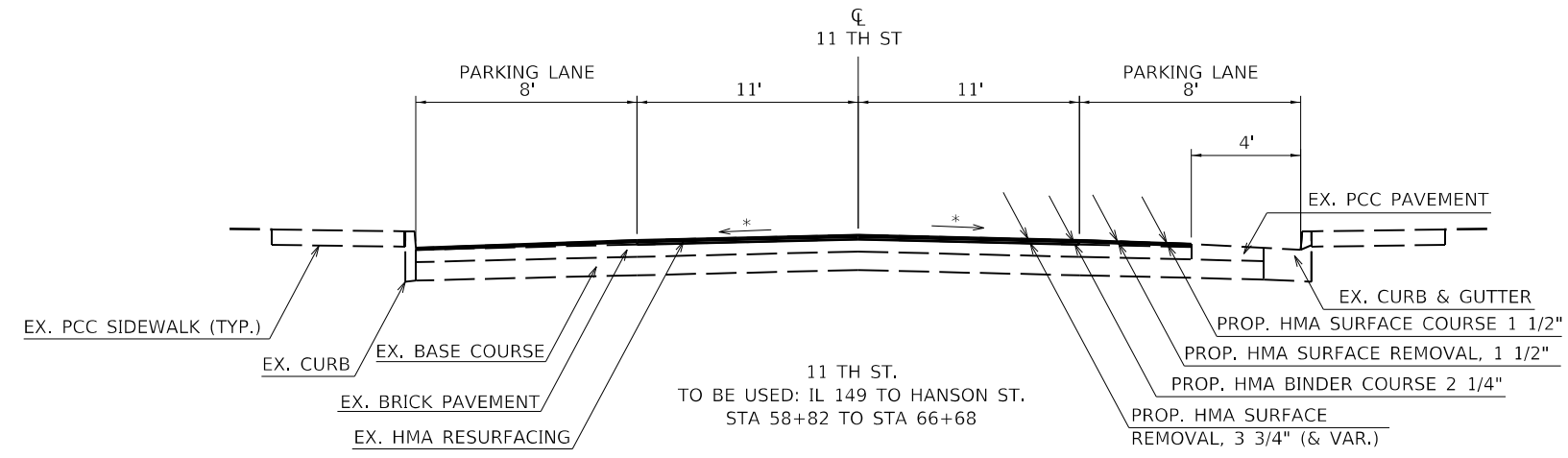
COUNTY:	JACKSON CO	
ROUTE:	FAU 9675/9664	
FUNDING:	80% FED/20% STATE	80% FED/20% CITY
LOCATION:	URBAN	URBAN
	ROADWAY	ROADWAY
	0005	0005

CODE NUMBER	ITEM DESCRIPTION	UNIT	TOTAL QUANTITY		
70300280	TEMPORARY PAVEMENT MARKING - LINE 24"	FOOT	87	87	
* 78000100	THERMOPLASTIC PAVEMENT MARKING - LETTERS AND SYMBOLS	SQ FT	47	47	
* 78000200	THERMOPLASTIC PAVEMENT MARKING - LINE 4"	FOOT	38178	37337	841
* 78000400	THERMOPLASTIC PAVEMENT MARKING - LINE 6"	FOOT	261	261	
* 78000600	THERMOPLASTIC PAVEMENT MARKING - LINE 12"	FOOT	104	104	
* 78000650	THERMOPLASTIC PAVEMENT MARKING - LINE 24"	FOOT	87	87	
* 78100100	RAISED REFLECTIVE PAVEMENT MARKER	EACH	197	197	
78300200	RAISED REFLECTIVE PAVEMENT MARKER REMOVAL	EACH	197	197	
X4240430	PORTLAND CEMENT CONCRETE SIDEWALK 5 INCH, SPECIAL	SQ FT	3041	3041	
X6026200	INLETS TO BE ADJUSTED (SPECIAL)	EACH	1	1	
X7030005	TEMPORARY PAVEMENT MARKING REMOVAL	SQ FT	25984	25984	
X8140115	HANDHOLE TO BE ADJUSTED	EACH	1	1	
Z0033700	LONGITUDINAL JOINT SEALANT	FOOT	19172	19172	
Z0034105	MATERIAL TRANSFER DEVICE	TON	10216	10177	39

* SPECIALTY ITEM

MODEL: Default
 FILE NAME: p:\pub\mroom.dwg
 PROJECT: 78820-ORP\CADD\Drawings\DOT Office\Drawings\78820-ORP-CR-000-100.dwg

USER NAME = maesbl	DESIGNED -	REVISED -	STATE OF ILLINOIS DEPARTMENT OF TRANSPORTATION	SUMMARY OF QUANTITIES				F.A.U. RTE.	SECTION	COUNTY	TOTAL SHEETS	SHEET NO.		
PLOT SCALE = 100,0000' / in.	CHECKED -	REVISED -		SCALE:	SHEET	OF	SHEETS	STA.	TO	STA.	13RS-4	JACKSON	22	8
PLOT DATE = 1/27/2021	DATE -	REVISED -						CONTRACT NO. 78820						
												ILLINOIS FED. AID PROJECT		



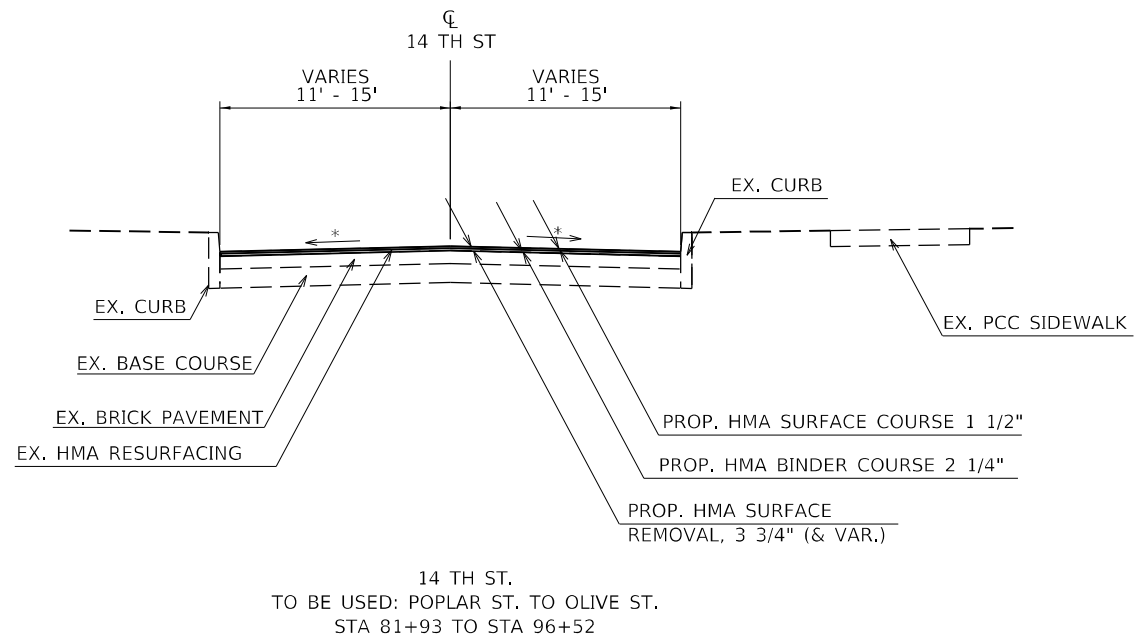
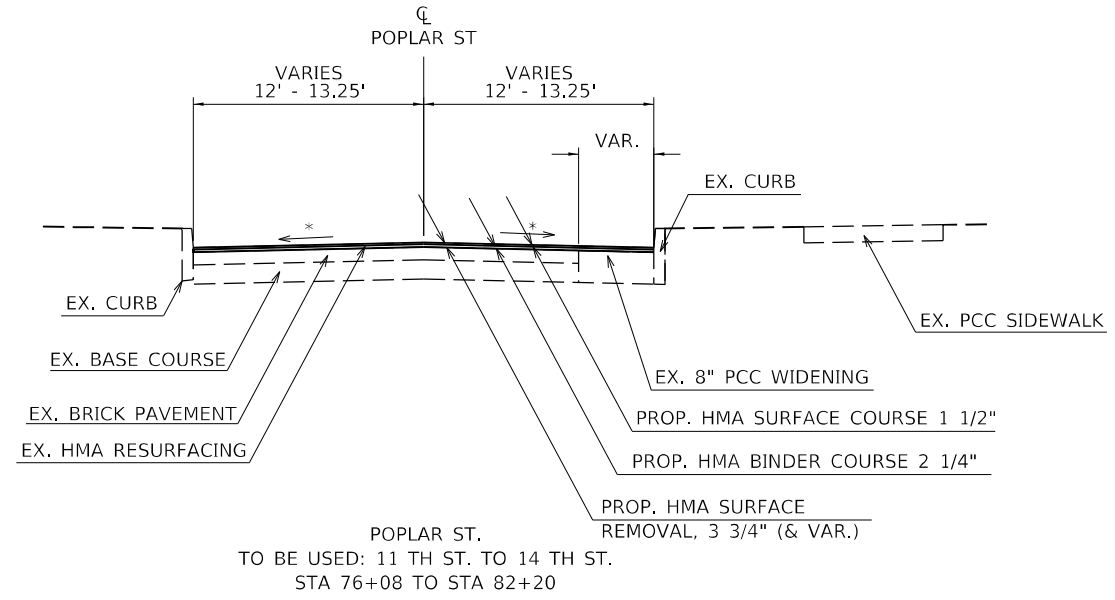
MODEL: Typicals
 FILE: \\ms01s-p01\planroom\dat\illinois\p01\DOT\Documents\DOT_Offices\District_9\Projects\78820\GRD\CADD\Drawn\CADsheets\78820_4tbltyp_sch.dwg

USER NAME = fowlera	DESIGNED -	REVISED -
	DRAWN -	REVISED -
PLOT SCALE = 100.0000' / in.	CHECKED -	REVISED -
PLOT DATE = 2/26/2021	DATE -	REVISED -

**STATE OF ILLINOIS
DEPARTMENT OF TRANSPORTATION**

TYPICAL SECTIONS				
SCALE:	SHEET	OF	SHEETS	STA. TO STA.

F.A.U. RTE.	SECTION	COUNTY	TOTAL SHEETS	SHEET NO.
*	13R5-4	JACKSON	22	9
CONTRACT NO. 78820				
ILLINOIS FED. AID PROJECT				



MODEL: Typical.dwg
 FILE NAME: p:\pub\mroom.dwg
 ILLINOIS DOT
 PROJECT: 78820-ORP\CADD\Drawings\DOT Documents\DOT Office\Drawings\9\Projects\78820-ORP\CADD\Drawings\DOT Documents\78820-ORP\Typ.dwg

USER NAME = maesbl	DESIGNED -	REVISED -
	DRAWN -	REVISED -
PLOT SCALE = 100,0000' / in.	CHECKED -	REVISED -
PLOT DATE = 1/27/2021	DATE -	REVISED -

STATE OF ILLINOIS
DEPARTMENT OF TRANSPORTATION

TYPICAL SECTIONS

SCALE: SHEET OF SHEETS STA. TO STA.

F.A.U. RTE.	SECTION	COUNTY	TOTAL SHEETS	SHEET NO.
-	13RS-4	JACKSON	22	10
CONTRACT NO. 78820				
ILLINOIS FED. AID PROJECT				

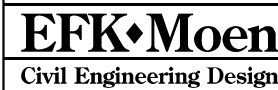
PAVEMENT AND SIDEWALK SCHEDULE						
LOCATION				DETECTABLE WARNINGS (SQ FT)	COMB CC&G TB6.24 (FOOT)	PC CONC SIDEWALK 5 SPECIAL (SQ FT)
1	11TH ST	&	LOCUST ST	45	65	395
2	11TH ST	&	CITY HALL	27	52	822
3	11TH ST	&	HANSON ST	84	122	982
4	14TH ST	&	POPLAR ST	31	82	460
5	14TH ST	&	GARTSIDE ST	42	50	382
TOTALS				229	371	3041

REMOVALS SCHEDULE						
LOCATION				COMB CURB GUTTER REM (FOOT)	SIDEWALK REMOVAL (SQ FT)	
1	11TH ST	&	LOCUST ST	65	413	
2	11TH ST	&	CITY HALL	52	759	
3	11TH ST	&	HANSON ST	122	924	
4	14TH ST	&	POPLAR ST	82	451	
5	14TH ST	&	GARTSIDE ST	50	334	
TOTALS				371	2881	

UTILITY ADJUSTMENT SCHEDULE								
LOCATION				MAN ADJUST (EACH)	INLETS ADJUST (EACH)	VALVE VAULTS ADJUST (EACH)	INLETS ADJUST (SPECIAL) (EACH)	HANDHOLE TO BE ADJUST (EACH)
1	11TH ST	&	LOCUST ST			2		1
2	11TH ST	&	CITY HALL					
3	11TH ST	&	HANSON ST		4			
4	14TH ST	&	POPLAR ST		1		1	
5	14TH ST	&	GARTSIDE ST	2	1	1		
TOTALS				2	6	3	1	1

PAVEMENT MARKING SCHEDULE						
LOCATION				THPL PVT MK LINE 6 (FOOT)	THPL PVT MK LINE 12 (FOOT)	THPL PVT MK LINE 24 (FOOT)
1	11TH ST	&	LOCUST ST			
2	11TH ST	&	CITY HALL	68	68	
3	11TH ST	&	HANSON ST	41	36	
4	14TH ST	&	POPLAR ST			26
5	14TH ST	&	GARTSIDE ST			
TOTALS				109	104	26

MODEL: D:\efc\h...
 FILE NAME: 2130063.07 IDOT D9 PFB 196-061_WO 7 N 14th & 11th Multiphase ADAIDCHUDesign\Final\8820-structschedule.dgn



USER NAME = J.Berggren	DESIGNED - RAG	REVISED -
DRAWN - JDB	CHECKED - JH	REVISED -
PLOT SCALE = 40,0000 * / in.	DATE - 2/3/2021	REVISED -
PLOT DATE = 2/3/2021		

**STATE OF ILLINOIS
DEPARTMENT OF TRANSPORTATION**

SCALE:		SHEET 1 OF 1 SHEETS	STA.	TO STA.
--------	--	---------------------	------	---------

F.A.U. RTE.	SECTION	COUNTY	TOTAL SHEETS	SHEET NO.
-	13R5-4	JACKSON	22	13
CONTRACT NO. 78820				
ILLINOIS FED. AID PROJECT				

PAVEMENT MARKING SCHEDULE

LOCATION			THERMOPLASTIC PAVEMENT MARKING, LINE 4"			THERMOPLASTIC PAVEMENT MARKING, LINE 6" *	THERMOPLASTIC PAVEMENT MARKING, LINE 24" *	THERMOPLASTIC PAVEMENT MARKING, LETTERS & SYMBOLS	SHORT TERM PAVEMENT MARKING	SHORT TERM PAVEMENT MARKING REMOVAL	COMMENTS
			WHITE SOLID	YELLOW SOLID	YELLOW DASHED	YELLOW	WHITE	WHITE	FOOT	SQ FT	
STATION	TO	STATION	FOOT	FOOT	FOOT	FOOT	FOOT	SQ FT	FOOT	SQ FT	
58+82	TO	66+68	328	317	197	152	11	26	237	79	LOAD ZONE MARKING
66+68	TO	76+08			235		11		282	94	
76+08	TO	78+56		496					75	25	
78+56	TO	82+20			91				111	37	
82+20	TO	90+37			205				246	82	
90+37	TO	100+01							291	97	
STA. EQU. 100+01 BK = 0+00 AH											
0+00	TO	20+20	4040		505				606	202	
20+20	TO	25+18	996	498	125				150	50	
25+18	TO	62+23	7410	7410					1113	371	
62+23	TO	68+99	1352	676	169				204	68	
68+99	TO	86+66	3534		442				531	177	
86+66	TO	105+20	3708	3708					558	186	
STA. EQU. 105+68 BK = 106+62 AH											
148+94	TO	153+00	924	812			39	21	123	41	ONLY & TURN ARROW
SUBTOTAL			22292	13917	1969	152	61	47	4527	1509	
TOTAL			38178			152	61	47	4527	1509	

* SEE ADA SCHEDULES FOR ADDITIONAL QUANTITY

PAVEMENT MARKING SCHEDULE CONT.

LOCATION			TEMPORARY PAVEMENT MARKING, LINE 4"	TEMPORARY PAVEMENT MARKING, LINE 6"	TEMPORARY PAVEMENT MARKING, LINE 12"	TEMPORARY PAVEMENT MARKING, LINE 24"	TEMPORARY PAVEMENT MARKING, LETTERS & SYMBOLS	TEMPORARY PAVEMENT MARKING REMOVAL	RRPM REMOVAL	RRPM	COMMENTS
			FOOT	FOOT	FOOT	FOOT	SQ FT	SQ FT	EACH	EACH	
STATION	TO	STATION	FOOT	FOOT	FOOT	FOOT	SQ FT	SQ FT	EACH	EACH	
58+82	TO	66+68	842	152	0	11	26	761	10	10	LOAD ZONE MARKING
66+68	TO	76+08	235		0	11		179	12	12	
76+08	TO	78+56	496					331	4	4	
78+56	TO	82+20	91					61	5	5	
82+20	TO	90+37	205					137	11	11	
90+37	TO	100+01							13	13	
STA. EQU. 100+01 BK = 0+00 AH											
0+00	TO	20+20	4545					3030	26	26	
20+20	TO	25+18	1619					1079	7	7	
25+18	TO	62+23	14820					9880	47	47	
62+23	TO	68+99	2197					1465	9	9	
68+99	TO	86+66	3976					2651	23	23	
86+66	TO	105+20	7416					4944	24	24	
STA. EQU. 105+68 BK = 106+62 AH											
148+94	TO	153+00	1736			39	21	1256	6	6	ONLY & TURN ARROW
ADA LOCATIONS				109	104	26		211			
SUBTOTAL			38178	261	104	87	47	25984	197	197	
TOTAL			38178	261	104	87	47	25984	197	197	

MODEL: Schedule.dwg
FILE NAME: P:\Information\dot\Illinois\dot\Projects\78820\ORP\CAD\Drawings\CAD\Drawings\78820_01b.dwg

USER NAME = maestl	DESIGNED -	REVISED -
	DRAWN -	REVISED -
PLOT SCALE = 100,0000' / in.	CHECKED -	REVISED -
PLOT DATE = 1/27/2021	DATE -	REVISED -

**STATE OF ILLINOIS
DEPARTMENT OF TRANSPORTATION**

PAVEMENT MARKING SCHEDULE

SCALE: SHEET OF SHEETS STA. TO STA.

F.A.U. RTE.	SECTION	COUNTY	TOTAL SHEETS	SHEET NO.
-	13RS-4	JACKSON	22	14
CONTRACT NO. 78820				
ILLINOIS FED. AID PROJECT				

19675/9664

THIS SHEET INTENTIONALLY LEFT BLANK

MODEL Path: \\...
FILE NAME: 21330063.07 IDOT D9 PFB 196-061 WO 7 N 14th & 11th Multiphase ADAIDCU(Design)Prelim\FBusiness\0778820-att\plan_11.dgn



USER NAME = RCall
PLOT SCALE = 40,0000 * / in.
PLOT DATE = 1/26/2021

DESIGNED - RAG
DRAWN - JDB
CHECKED - JH
DATE - 1/26/2021

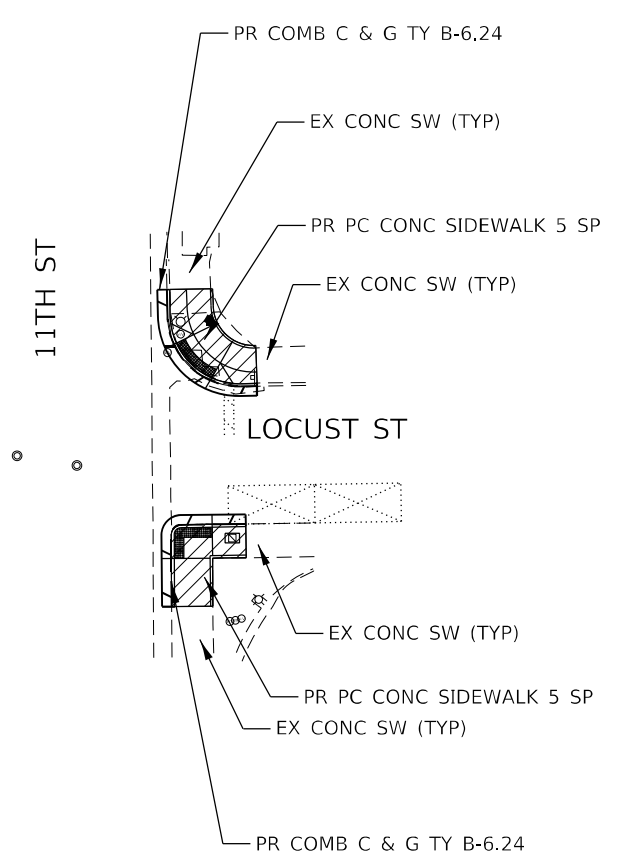
REVISED -
REVISED -
REVISED -
REVISED -

**STATE OF ILLINOIS
DEPARTMENT OF TRANSPORTATION**

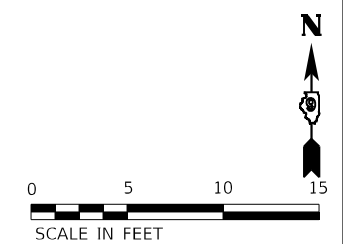
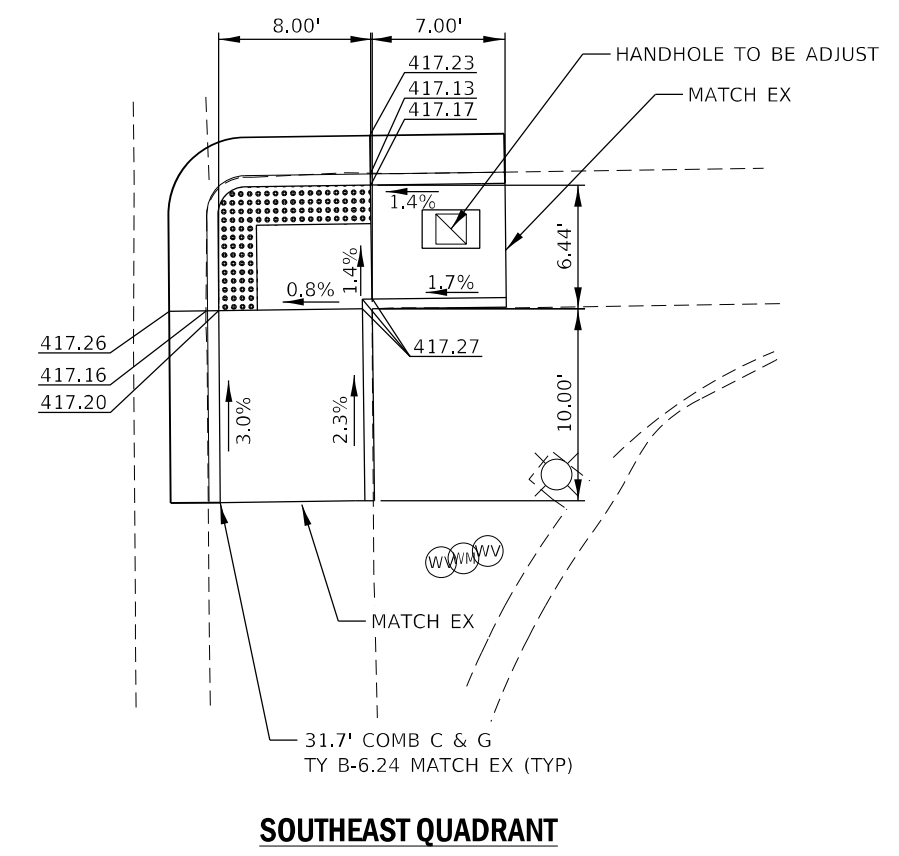
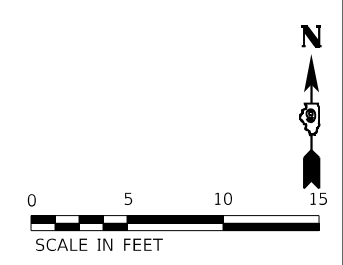
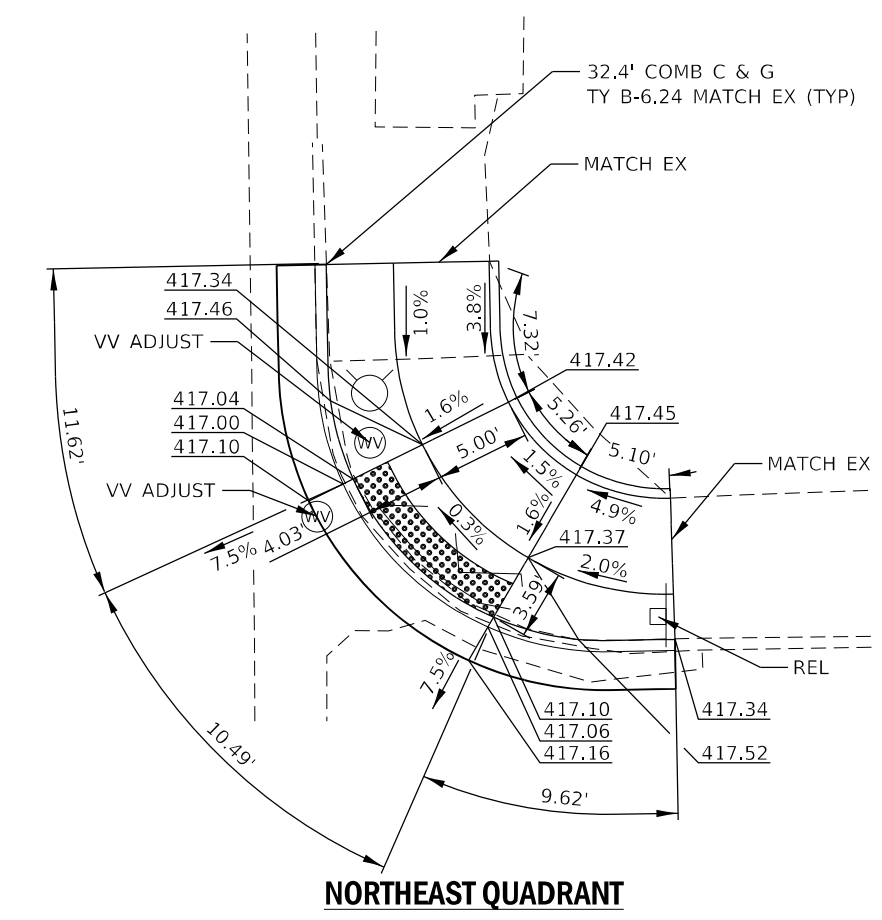
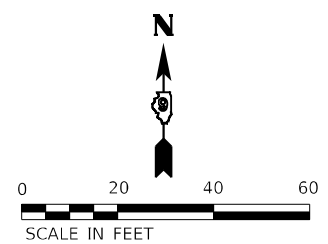
**PLAN SHEET
11TH ST**

SCALE: SHEET 1 OF 6 SHEETS STA. TO STA.

F.A.U. RTE.	SECTION	COUNTY	TOTAL SHEETS	SHEET NO.
-	13R5-4	JACKSON	22	15
CONTRACT NO. 78820				
ILLINOIS FED. AID PROJECT				



- LEGEND**
- DETECTABLE WARNINGS
 - SIDEWALK REMOVAL
 - CONC CURB & GUTTER REMOVAL



MODEL: D:\efk\11th Locust\11th Locust.dwg
 FILE NAME: 21-0063.07 IDOT D9 PFB 136-061_WO 7 N 14th & 11th\11th Locust.dwg
 USER: RAG
 DATE: 1/26/2021

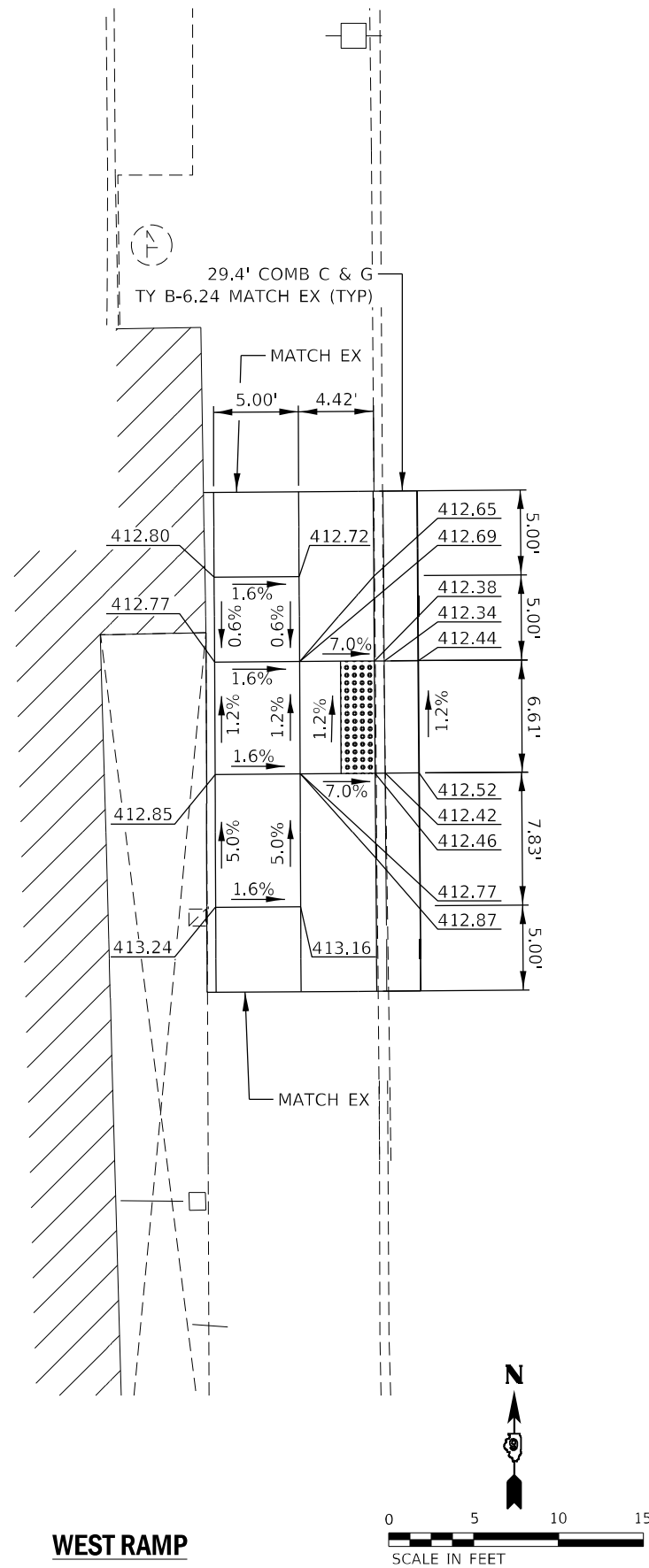
EFK Moen
Civil Engineering Design

USER NAME = RAG	DESIGNED - RAG	REVISED -
	DRAWN - JDB	REVISED -
PLOT SCALE = 40,0000 * / in.	CHECKED - JH	REVISED -
PLOT DATE = 1/26/2021	DATE - 1/26/2021	REVISED -

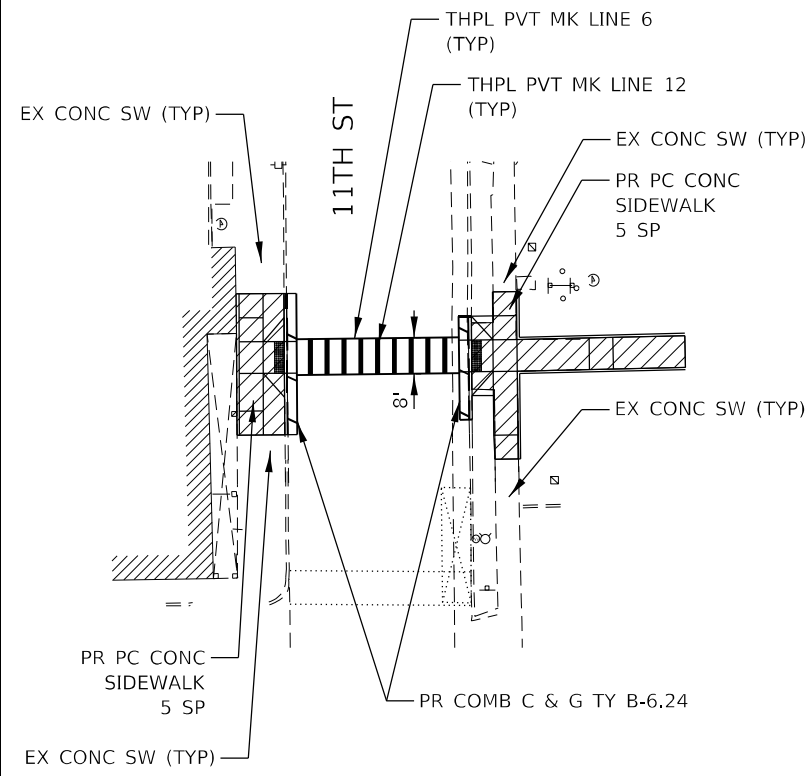
**STATE OF ILLINOIS
DEPARTMENT OF TRANSPORTATION**

PLAN SHEET	
11TH ST - LOCUST ST	
SCALE:	TO STA.
SHEET 2 OF 6 SHEETS	


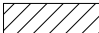
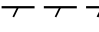
F.A.U. RTE.	SECTION	COUNTY	TOTAL SHEETS	SHEET NO.
9664	13RS-4	JACKSON	22	16
CONTRACT NO. 78820				
ILLINOIS FED. AID PROJECT				

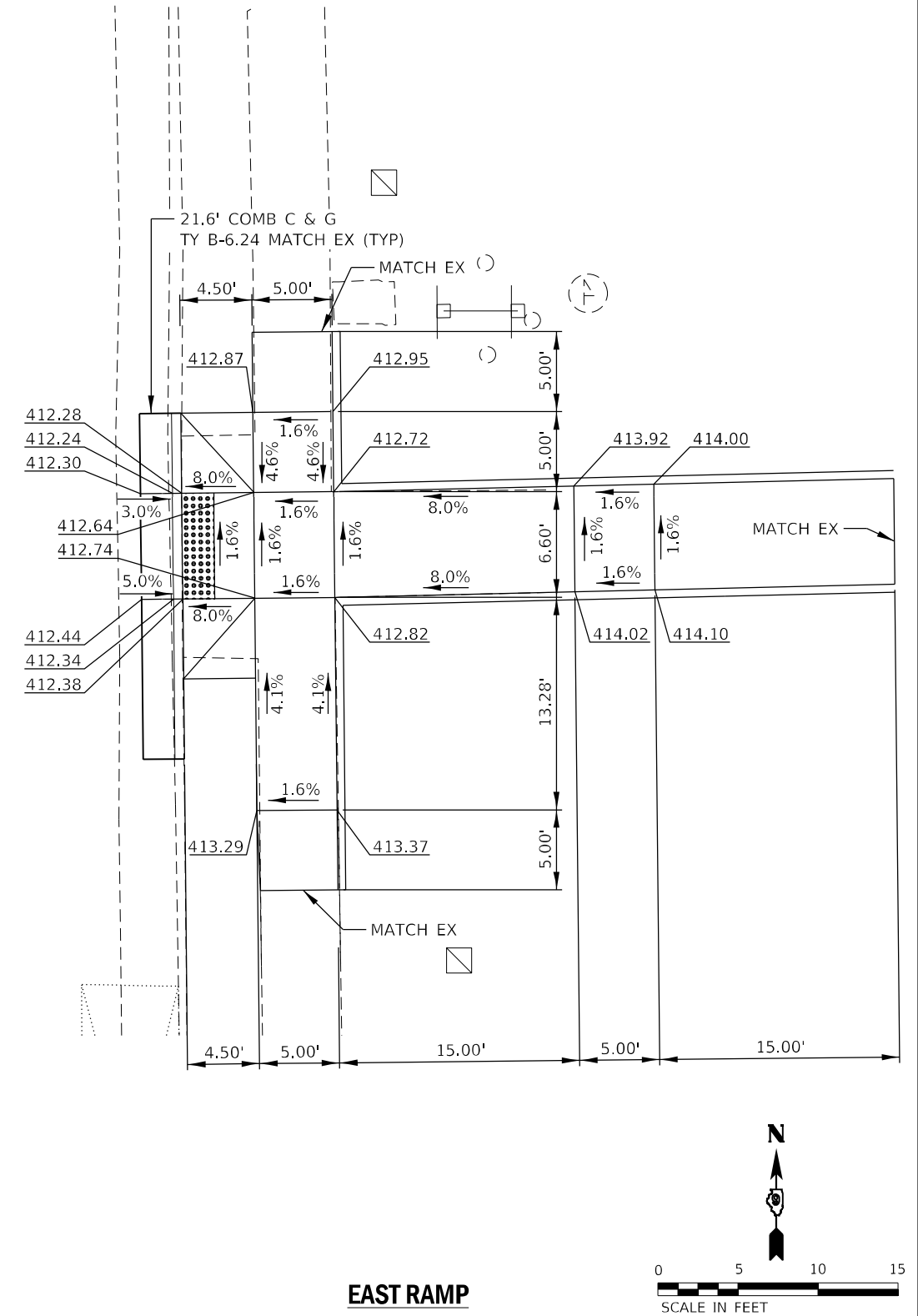


WEST RAMP



LEGEND

-  DETECTABLE WARNINGS
-  SIDEWALK REMOVAL
-  CONC CURB & GUTTER REMOVAL



EAST RAMP

MODEL: D:\efc\h...
 FILE NAME: 23\3063.07 IDOT D9 PFB 136-061_WO 7 N 14th & 11th Multiphase ADA\DCU\Design\Final\136-061-01.dwg

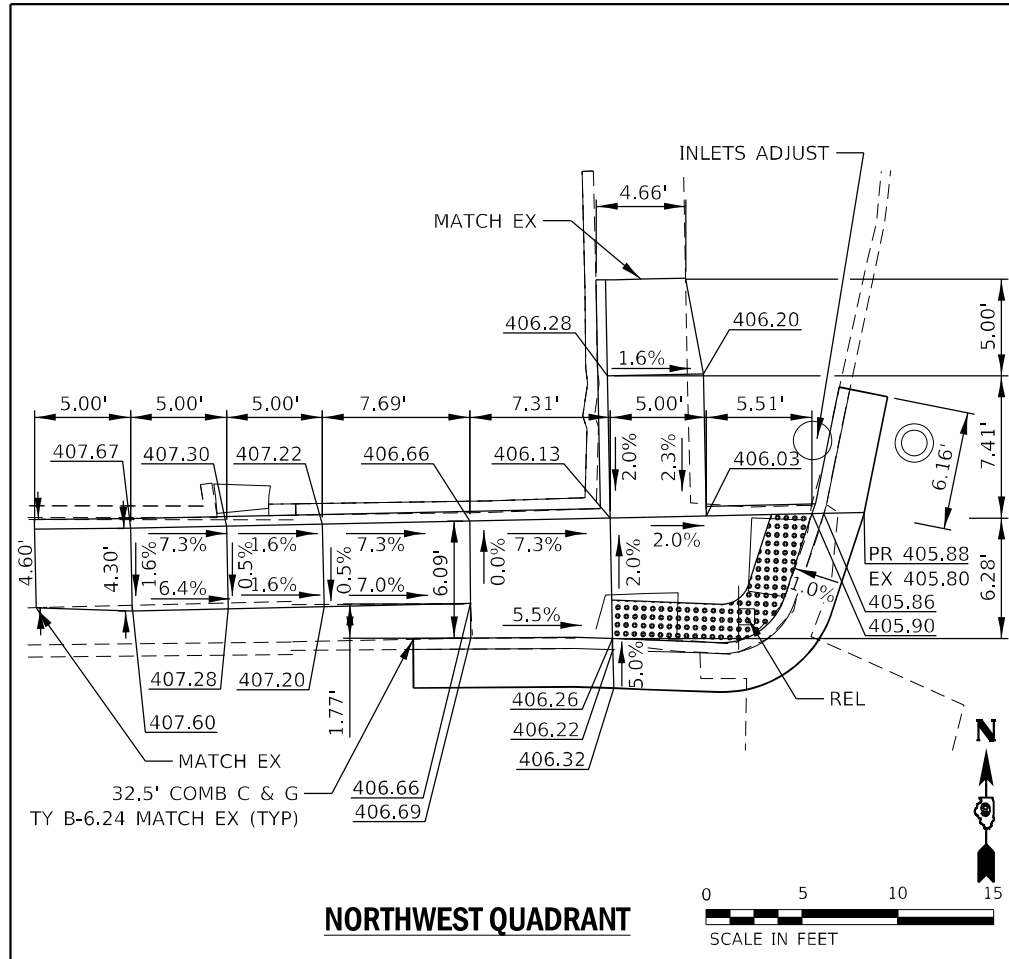
EFK Moen
Civil Engineering Design

USER NAME = RCall	DESIGNED - RAG	REVISED -
	DRAWN - JDB	REVISED -
PLOT SCALE = 40,0000' / in.	CHECKED - JH	REVISED -
PLOT DATE = 1/26/2021	DATE - 1/26/2021	REVISED -

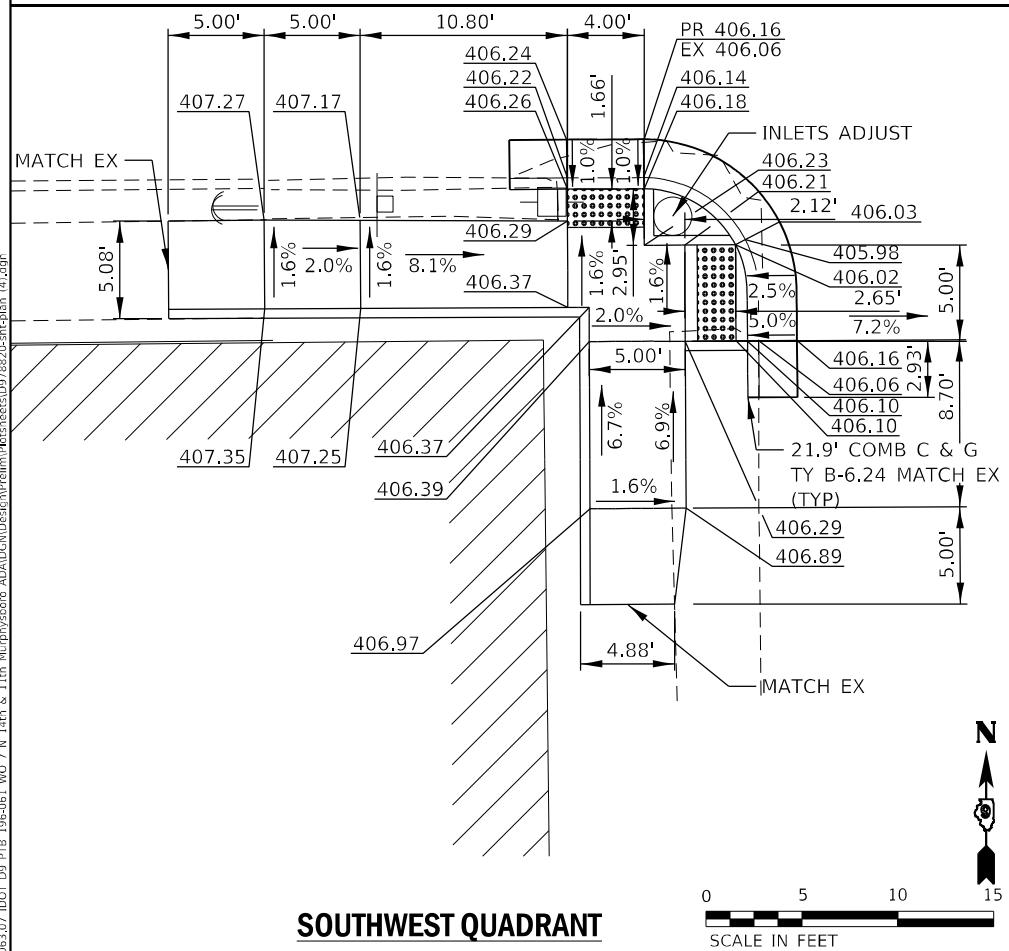
**STATE OF ILLINOIS
DEPARTMENT OF TRANSPORTATION**

PLAN SHEET 11TH ST - CITY HALL	
SCALE:	SHEET 3 OF 6 SHEETS STA. TO STA.

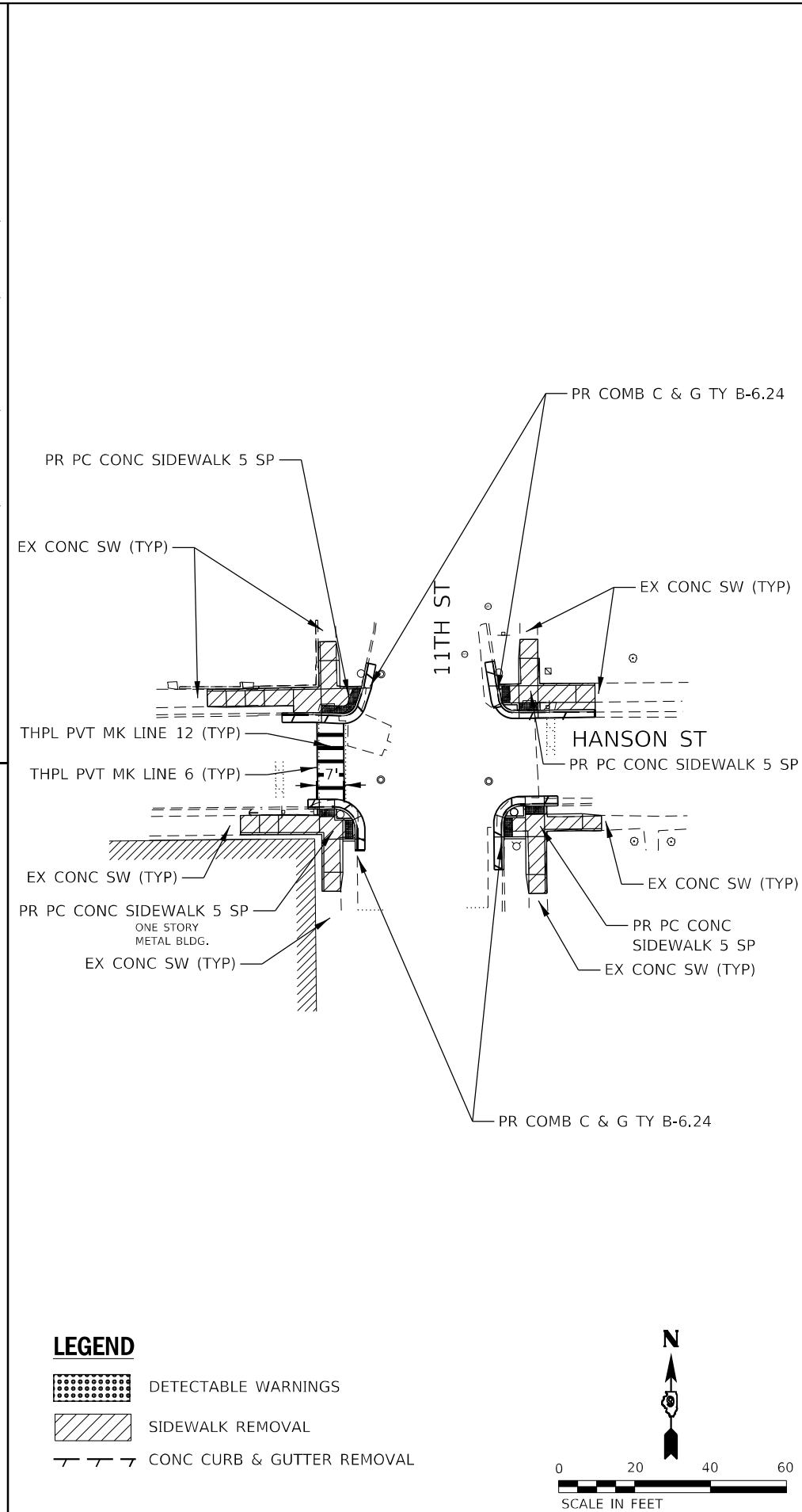
F.A.U. RTE.	SECTION	COUNTY	TOTAL SHEETS	SHEET NO.
9664	13RS-4	JACKSON	22	17
CONTRACT NO. 78820				
ILLINOIS FED. AID PROJECT				




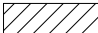
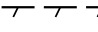
NORTHWEST QUADRANT

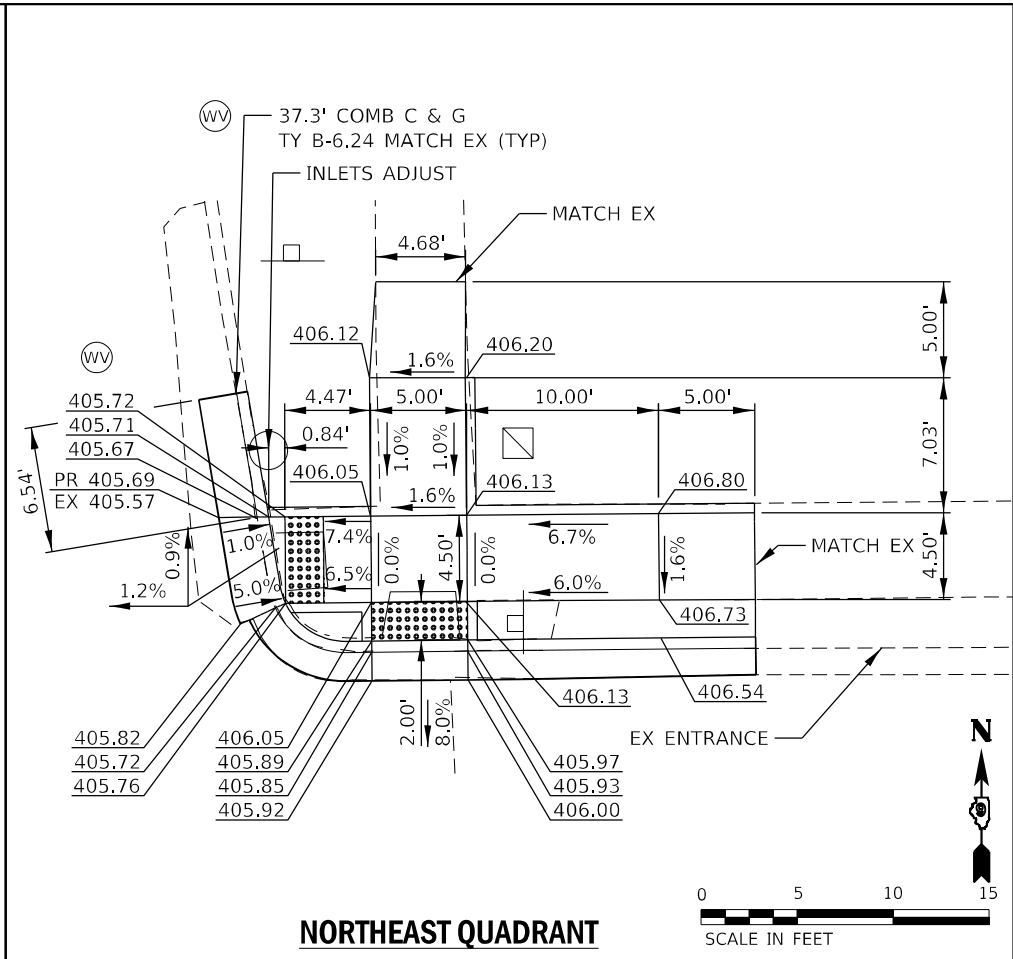


SOUTHWEST QUADRANT

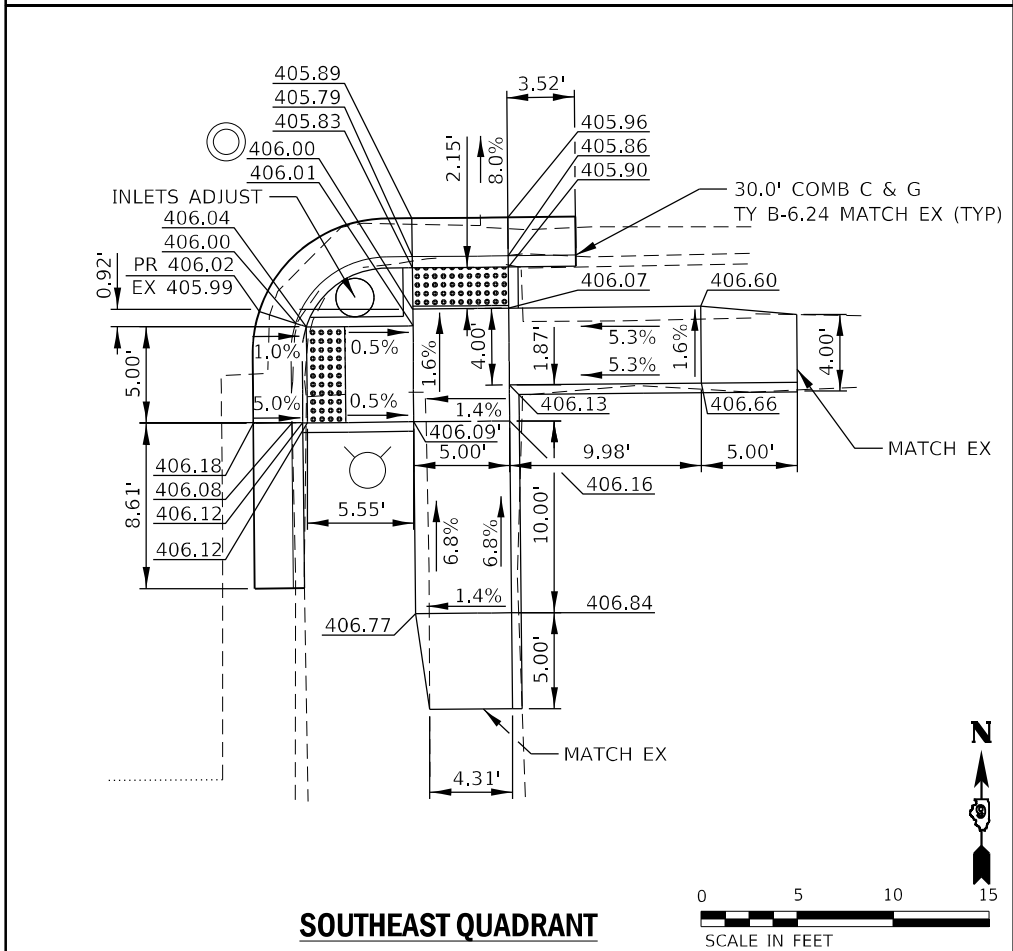


LEGEND

-  DETECTABLE WARNINGS
-  SIDEWALK REMOVAL
-  CONC CURB & GUTTER REMOVAL



NORTHEAST QUADRANT



SOUTHEAST QUADRANT

MODEL: D:\efk\11th St\11th St.dwg
 FILE NAME: 23\30063.07\DOT D9 PFB 196-061_WO 7 N 14th & 11th Multiphase ADA\DWG\Design\11th St.dwg
 USER: RCG
 DATE: 1/26/2021

EFK Moen
Civil Engineering Design

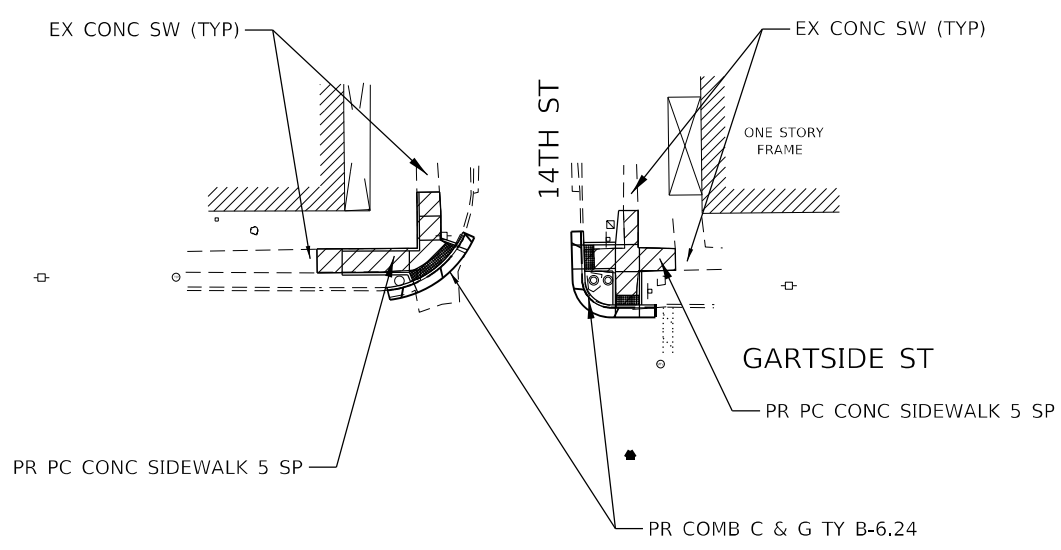
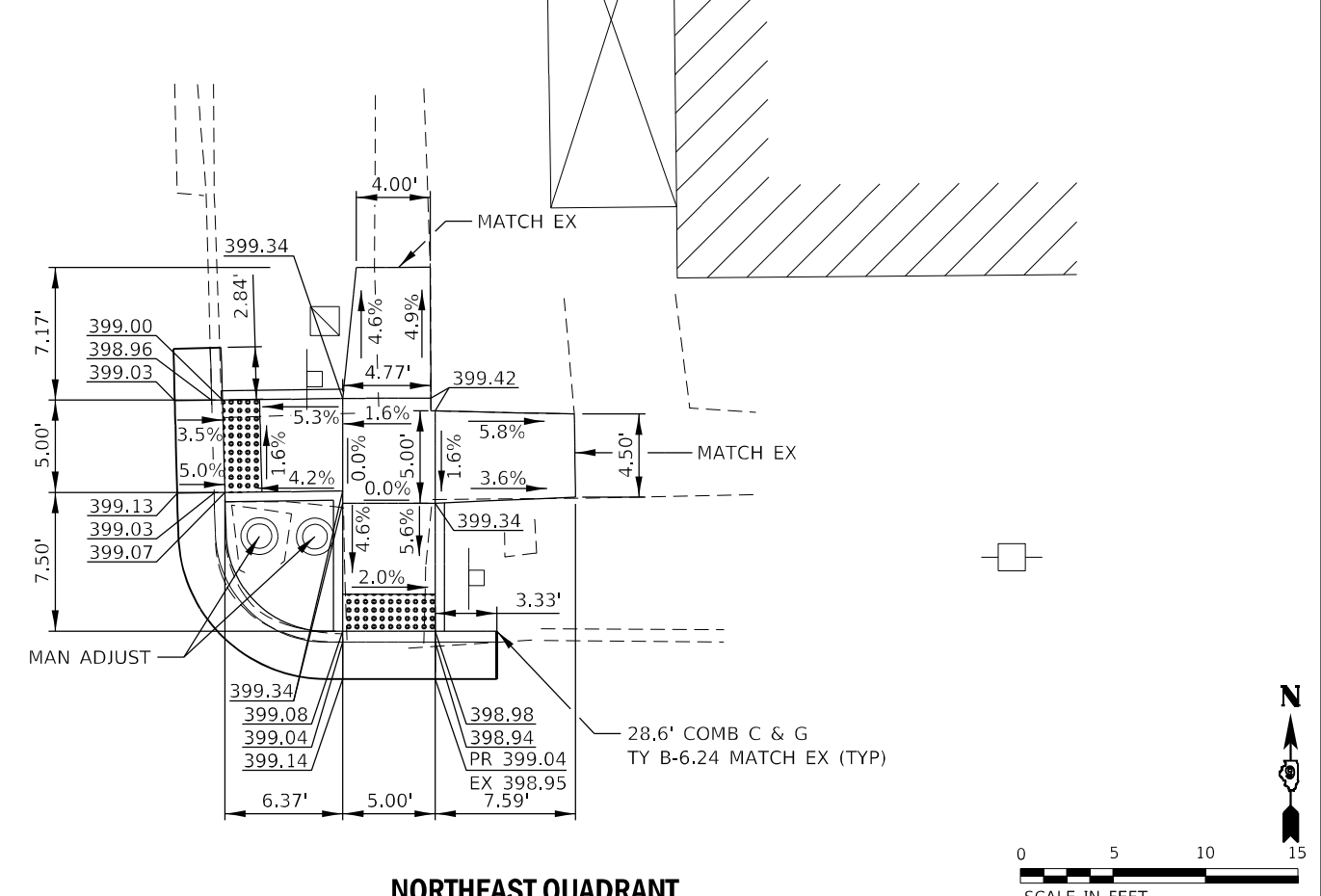
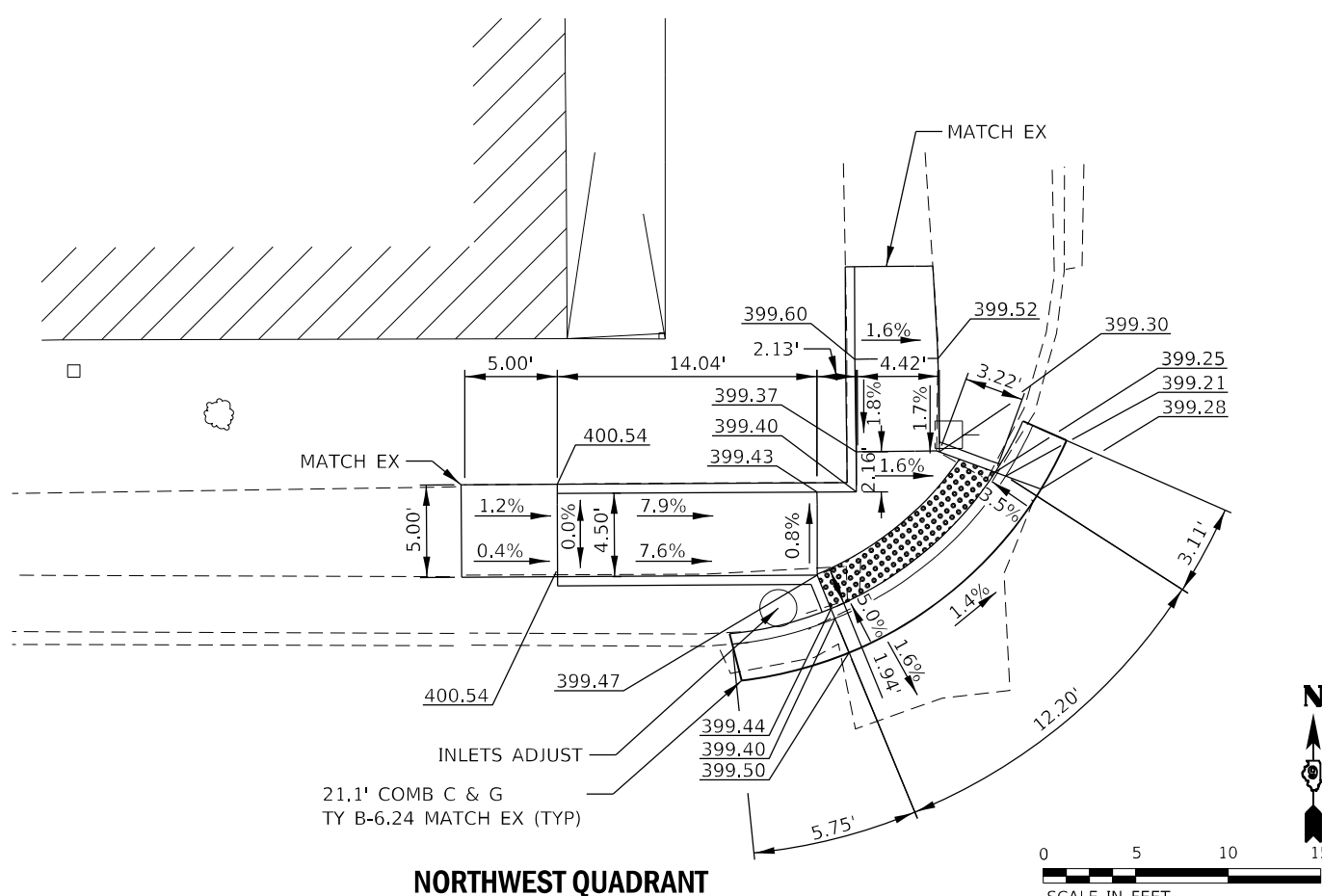
USER NAME = RCG	DESIGNED - RAG	REVISED -
PLOT SCALE = 40,0000 */ in.	DRAWN - JDB	REVISED -
PLOT DATE = 1/26/2021	CHECKED - JH	REVISED -
	DATE - 1/26/2021	REVISED -

STATE OF ILLINOIS
DEPARTMENT OF TRANSPORTATION

PLAN SHEET
11TH ST - HANSON ST

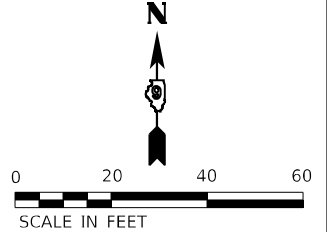
SCALE: SHEET 4 OF 6 SHEETS STA. TO STA.

F.A.U. RTE. 9664	SECTION 13RS-4	COUNTY JACKSON	TOTAL SHEETS 22	SHEET NO. 18
CONTRACT NO. 78820				
ILLINOIS FED. AID PROJECT				



LEGEND

- DETECTABLE WARNINGS
- SIDEWALK REMOVAL
- CONC CURB & GUTTER REMOVAL



MODEL: D:\efk\11th_Multiphase\ADAD\CH\Design\Final\11th\Business\0778820-att\plan_16.dgn
 FILE NAME: 21330063.07 IDOT D9 PFB 136-061_WO 7 N 14th & 11th Multiphase ADAD\CH\Design\Final\11th\Business\0778820-att\plan_16.dgn

EFK Moen
Civil Engineering Design

USER NAME = RCall	DESIGNED - RAG	REVISED -
	DRAWN - CS	REVISED -
PLOT SCALE = 40,0000 * / in.	CHECKED - JH	REVISED -
PLOT DATE = 1/26/2021	DATE - 1/26/2021	REVISED -

**STATE OF ILLINOIS
DEPARTMENT OF TRANSPORTATION**

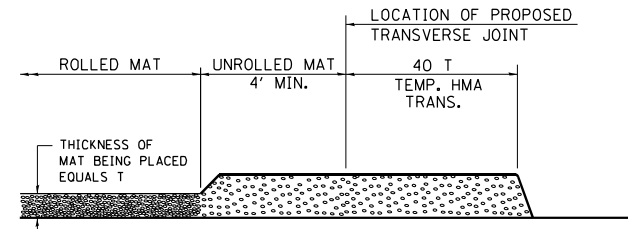
**PLAN SHEET
14TH ST - GARTSIDE ST**

SCALE: SHEET 6 OF 6 SHEETS STA. TO STA.

F.A.U. RTE.	SECTION	COUNTY	TOTAL SHEETS	SHEET NO.
9675	13RS-4	JACKSON	22	20
CONTRACT NO. 78820				
ILLINOIS FED. AID PROJECT				

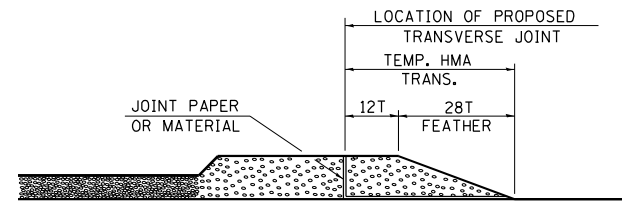
TEMPORARY HOT-MIX ASPHALT TRANSITIONS

ILLINOIS STANDARD



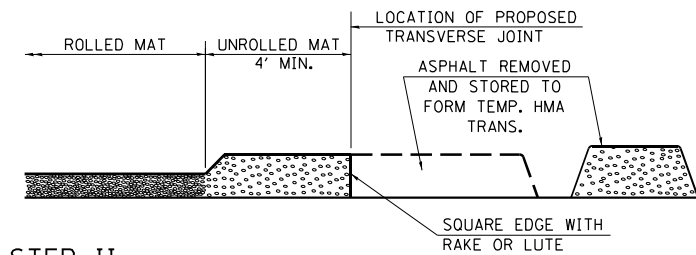
STEP I

1. PLACE HOT-MIX ASPHALT MAT, LENGTH 40 TIMES THE THICKNESS OF THE MAT BEING PLACED PAST THE PROPOSED TRANSVERSE JOINT LOCATION USING NORMAL OPERATING PROCEDURES.
2. EXTREME CARE SHOULD BE TAKEN TO MAINTAIN ENOUGH MATERIAL IN FRONT OF THE SCREED TO MAINTAIN REQUIRED PAVING DEPTH.



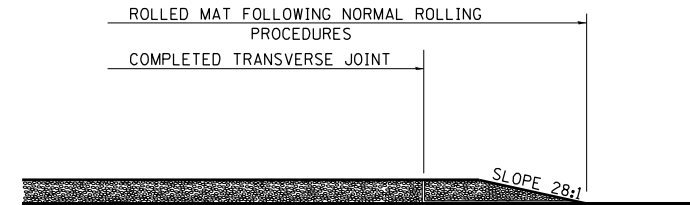
STEP III

1. JOINT PAPER OR OTHER PRESELECTED JOINT MATERIAL IS THEN PLACED IN THE CLEARED AREA AND THE EXCESS ASPHALT USED TO HAND FORM A TRANSITION TO THE DIMENSIONS SHOWN ABOVE.
2. NOTE THAT IN CONSTRUCTING THE TRANSITION, THE MAT DEPTH IS CONTINUED AS PART OF THE TRANSITION BEFORE FORMING THE FEATHER.



STEP II

1. MOVE THE PAVER OUT OF THE WAY AND REMOVE THE ASPHALT FROM THE AREA OF THE PROPOSED TEMPORARY HOT-MIX ASPHALT TRANSITION.
2. SQUARE UP THE END OF THE MAT WITH A RAKE OR LUTE.
3. NOTE THAT THE MAT WITHIN 4' OF THE END OF JOINT IS NOT TO BE ROLLED AT THIS TIME.



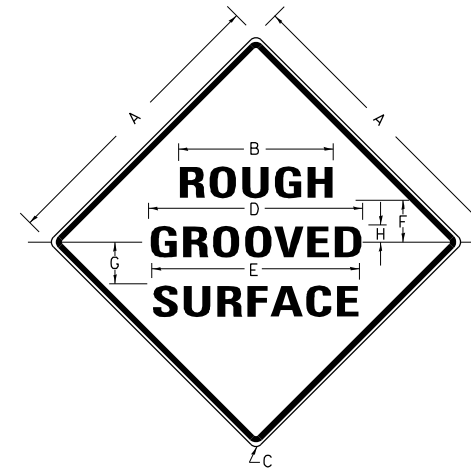
STEP IV

1. COMPLETE TEMPORARY TRANSITION BY ROLLING.
2. TO RESUME PAVING, AT THE JOINT, REMOVE TEMPORARY TRANSITION AND DISPOSE OF THE MATERIAL ACCORDING TO ART. 202.03 OF THE STD. SPECS. (COST INCLUDED IN THE CONTRACT).
3. CONSTRUCTING THE TEMPORARY TRANSITIONS WILL NOT BE PAID FOR SEPARATELY IN ACCORDANCE WITH ARTICLE 406.14 OF THE STANDARD SPECIFICATIONS.

REVISIONS

REDRAWN	2-15-89
REVISED	8-16-94
REVISED	01-09-07
RESIZED	05-8-08
REVISED	05-16-13

STD. 9-26



NOTES:

PRIOR TO ALLOWING TRAFFIC ON ANY PORTION OF THE ROADWAY THAT HAS BEEN COLDMILLED, THE CONTRACTOR SHALL HAVE ERECTED "ROUGH GROOVED SURFACE" SIGNS THAT CONFORM TO THE ABOVE DETAILS. A MINIMUM OF ONE SIGN AT EACH END OF THE IMPROVEMENT WILL BE REQUIRED. THE CONTRACTOR SHALL MAINTAIN THE "ROUGH GROOVED SURFACE" SIGNS UNTIL THE COLDMILLED SURFACE IS COVERED WITH LEVELING BINDER OR SURFACE COURSE.

IF AT ANY TIME THE SIGNS ARE IN PLACE BUT NOT APPLICABLE, THEY SHALL BE TURNED FROM THE VIEW OF MOTORISTS OR COVERED AS DIRECTED BY THE ENGINEER.

THE COST OF FURNISHING, ERECTING, MAINTAINING, AND REMOVING THE REQUIRED SIGNS SHALL BE INCLUDED IN THE CONTRACT.

COLORS:

LEGEND AND BORDER- BLACK NON-REFLECTORIZED
BACKGROUND- ORANGE REFLECTORIZED

SIGN SIZE	DIMENSIONS							
	A	B	C	D	E	F	G	H
48X48	48.0	24.1	3.0	34.0	33.0	6.0	13.0	3.5

SIGN SIZE	SERIES LINES			MAR-GIN	BOR-DER	BLANK STD.
	1	2	3			
48X48	7C	7C	7C	0.8	1.2	B4-48D

ALL DIMENSIONS IN INCHES

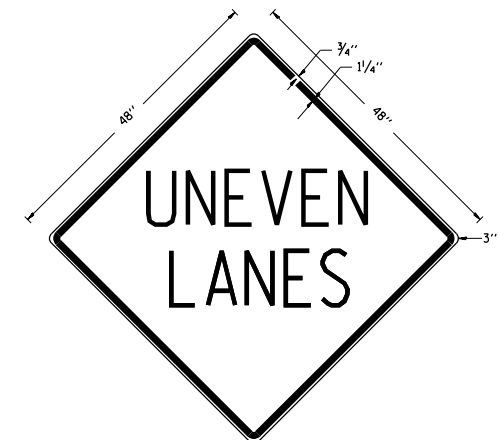
REVISIONS

REDRAWN	2-15-89
REVISED	4-6-93
REVISED	3-27-08
REVIEWED	5-17-13

STD. 9-39

UNEVEN LANES SIGN

W8-11 (48" x 48")



COLORS:

LEGEND AND BORDER - BLACK NON-REFLECTORIZED
BACKGROUND - ORANGE REFLECTORIZED

NOTE: PRIOR TO ALLOWING TRAFFIC ON ANY PORTION OF THE ROADWAY THAT HAS BEEN COLDMILLED OR BEFORE RESURFACING OPERATIONS BEGIN, THE CONTRACTOR SHALL HAVE ERECTED "UNEVEN PAVEMENT" SIGNS THAT CONFORM TO THE ABOVE DETAILS. A MINIMUM OF ONE SIGN AT EACH END OF THE IMPROVEMENT WILL BE REQUIRED. THE CONTRACTOR SHALL MAINTAIN THE "UNEVEN PAVEMENT" SIGNS UNTIL THE RESURFACING OPERATIONS ARE COMPLETED.

IF AT ANY TIME THE SIGNS ARE IN PLACE BUT NOT APPLICABLE, THEY SHALL BE TURNED FROM THE VIEW OF MOTORISTS OR COVERED AS DIRECTED BY THE ENGINEER.

THE COST OF FURNISHING, ERECTING, MAINTAINING, AND REMOVING THE REQUIRED SIGNS SHALL BE INCLUDED IN THE CONTRACT.

REVISIONS

DRAWN	2-15-89
REVISED	4-06-93
REDESIGNED	7-23-04
RESIZED	5-08-08
REVIEWED	5-17-13

STD. 9-41

MODEL: Default
FILE NAME: p:\mtd\mtdroom.dwt
PROJECT: 78820-ORBD\CAD\Drawings\DOT_Offices\Drawings\9\Projects\78820-ORBD\CAD\Drawings\DOT_Offices\Drawings\78820-ORBD\Drawings.dgn

USER NAME = maesbl	DESIGNED -	REVISED -
	DRAWN -	REVISED -
PLOT SCALE = 100,0000' / in.	CHECKED -	REVISED -
PLOT DATE = 1/27/2021	DATE -	REVISED -

STATE OF ILLINOIS
DEPARTMENT OF TRANSPORTATION

DISTRICT DETAILS

SCALE: SHEET OF SHEETS STA. TO STA.

F.A.U. RTE.	SECTION	COUNTY	TOTAL SHEETS	SHEET NO.
-	13RS-4	JACKSON	22	22
CONTRACT NO. 78820				
ILLINOIS FED. AID PROJECT				

19675/9664