

STATE OF ILLINOIS
DEPARTMENT OF TRANSPORTATION

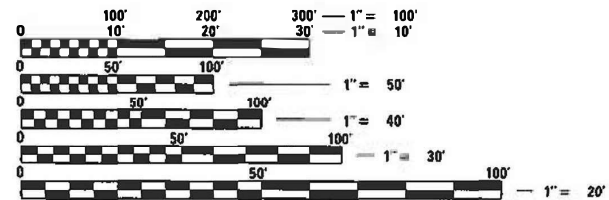
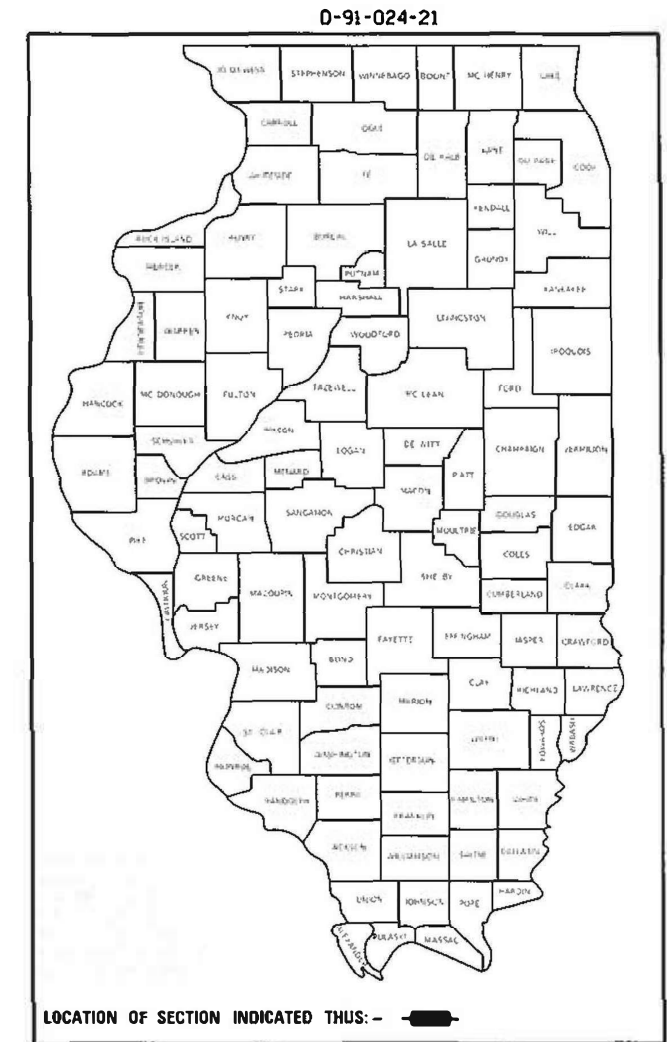
F.A. RTE.	SECTION	COUNTY	TOTAL SHEETS	SHEET NO.
VAR. 1	2020-225-1	ILLINOIS	7	1
ILLINOIS CONTRACT NO. 62N02				

• KANE & McHENRY

FOR INDEX OF SHEETS, SEE SHEET NO. 2

PROPOSED HIGHWAY PLANS

ROUTE: VARIOUS DISTRICT ONE
SECTION: 2020-225-1
ARTERIAL HIGHWAY CLEANING (SWEEPING)
COUNTY: KANE AND McHENRY
C-91-023-21



FULL SIZE PLANS HAVE BEEN PREPARED USING STANDARD ENGINEERING SCALES. REDUCED SIZED PLANS WILL NOT CONFORM TO STANDARD SCALES. IN MAKING MEASUREMENTS ON REDUCED PLANS, THE ABOVE SCALES MAY BE USED.

J.U.L.I.E.
JOINT UTILITY LOCATION INFORMATION FOR EXCAVATION
1-800-892-0123
OR 811

LOCATION MAPS - SEE INDEX OF SHEETS

PROJECT MANAGER: J. ALAIN MIDY (847) 221-3056

CONTRACT NO. 62N02

STATE OF ILLINOIS
DEPARTMENT OF TRANSPORTATION

SUBMITTED *August 24, 2020*

Andy A. [Signature] REGIONAL ENGINEER

October 2, 2020

[Signature]
ENGINEER OF DESIGN AND ENVIRONMENT

October 2, 2020

[Signature]
DIRECTOR OF HIGHWAYS PROJECT IMPLEMENTATION

PRINTED BY THE AUTHORITY
OF THE STATE OF ILLINOIS

F.A. RTE.	SECTION	COUNTY	TOTAL SHEETS	SHEET NO.
VAR.	2020-225-I	▪	7	2
STA.		TO STA.		
FED. ROAD DIST. NO.	ILLINOIS	FED. AID PROJECT		

INDEX OF SHEETS

1. TITLE SHEET
2. INDEX OF SHEETS
APPLICABLE STATE STANDARDS
3. SUMMARY OF QUANTITIES
SCHEDULE OF CLEANING STARTING DATES
4. ARTERIAL TYPICAL SECTIONS
5. ARTERIAL CLEANING: McHENRY COUNTY
WOODSTOCK TEAM SECTION
6. ARTERIAL CLEANING: KANE COUNTY
ST. CHARLES TEAM SECTION
7. TRAFFIC CONTROL AND PROTECTION FOR SIDE ROADS,
INTERSECTIONS AND DRIVEWAYS (TC-10)

STATE STANDARDS

▪ KANE & McHENRY

- | | |
|-----------|--|
| 701001-02 | OFF-ROAD OPERATION 2L, 2W, 15' MIN. AWAY FOR SPEEDS > 45 MPH |
| 701006-05 | OFF-ROAD OPERATION 2L, 2W, 15' TO PAVEMENT EDGE FOR SPEEDS > 45 MPH |
| 701011-04 | OFF-ROAD MOVING OPERATION 2L, 2W, DAY ONLY |
| 701301-04 | LANE CLOSURE, 2L 2W, SHORT TIME OPERATIONS |
| 701311-03 | LANE CLOSURE, 2L 2W, MOVING OPERATIONS - DAY ONLY |
| 701411-09 | LANE CLOSURE, MULTILANE AT ENTERANCE/EXIT RAMP FOR SPEEDS > 45 MPH |
| 701426-09 | LANE CLOSURE, MULTILANE INTERMITTENT OR MOVING OPERATION FOR SPEEDS > 45 MPH |
| 701427-05 | LANE CLOSURE, MULTILANE, INTERMITTENT OR MOVING OPERATIONS ≤ 40 MPH |
| 701901-08 | TRAFFIC CONTROL DEVICES |

PLOT DATE = 8/26/2020
 FILE NAME = pm1\p1\enr\com\do\illinois\group\PM\DOT\Office\District\Projects\Sweeping\Contract\CAD\Drawn\SweepingContract2017.dgn
 PLOT SCALE = 1/8"=1'-0"
 USER NAME = mcdjup

REVISIONS		ILLINOIS DEPARTMENT OF TRANSPORTATION
NAME	DATE	
		INDEX OF SHEETS AND STATE STANDARDS
SCALE:	VERT. DATE	DRAWN BY CHECKED BY
	HORIZ.	

F.A. RTE.	SECTION	COUNTY	TOTAL SHEETS	SHEET NO.
VAR.	2020-225-I	•	7	3
STA.		TO STA.		
FED. ROAD DIST. NO.	ILLINOIS	FED. AID PROJECT		

• KANE & McHENRY

SUMMARY OF QUANTITIES

CODE NO.	ITEM	UNIT	TOTAL QUANTITIES	KANE Co.		McHenry Co.
				URBAN	100 % STATE 0044	100 % STATE 0044
X0330600	FULL ARTERIAL CLEANING CYCLE	EACH	2	ARTERIAL	1	ARTERIAL

NOTES:

- SCHEDULE MAY VARY AS DIRECTED BY THE ENGINEER.
- THE CONTRACTOR MAY NOT START CLEANING CYCLES BEFORE AN AUTHORIZED WORK ORDER HAS BEEN SUBMITTED TO THE CONTRACTOR BY THE ENGINEER.
- NO WORK WILL BE ALLOWED DURING ANY LEGAL HOLIDAY PERIOD.
- NO DAILY CONTRACTOR WORK REQUESTS/ SCHEDULING SHALL BE AUTHORIZED OR APPROVED TO START WHEN IT IS DETERMINED BY THE ENGINEER THAT WEATHER CONDITIONS WILL BE UNFAVORABLE. APPROVAL OF ALL DAILY CONTRACTOR WORK SCHEDULE REQUEST SHALL BE SOLELY DETERMINED BY THE ENGINEER AND OR PROJECT SUPERVISOR.
- ALL LANE AND SHOULDER CLOSURES SHALL BE IMMEDIATELY REMOVED DURING ALL ADVERSE WEATHER CONDITIONS WITHOUT EXCEPTION, INCLUDING BUT NOT LIMITED TO RAIN, WET ROAD SURFACE (SPRAY FROM TIRES), MIST, DRIZZLE, SLEET, SNOW, FOG AND ANY OTHER CIRCUMSTANCE DETERMINED UNSAFE BY THE ENGINEER. THE CONTRACTOR SHALL IMPLEMENT THIS CONTRACT REQUIREMENT IMMEDIATELY WITHOUT WAITING FOR DEPARTMENT INSTRUCTIONS.
- BECAUSE SWEEPING OPERATIONS NEED WATER TO WORK EFFECTIVELY, SWEEPING WILL NOT BE ALLOWED WHEN TEMPERATURES OR WIND CHILL FACTORS ARE FORECASTED BY THE DEPARTMENTS CERTIFIED CONSULTING METEOROLOGISTS TO BE AT OR DROP BELOW FREEZING. TEMPERATURE MUST BE ABOVE THIRTY TWO (32) DEGREES FARENHEIT. ALL SHOULDER AND CURB LINES MUST BE FREE OF ANY EXISTING SNOW AND OR ICE. DRY SWEEPING SHALL BE ALLOWED ONLY IF IT IS CONSIDERED AN EMERGENCY, IMMEDIATE HAZARD, OR ANY WORK AS DESIGNATED BY THE DEPARTMENT THAT REQUIRES FIRST PRIORITY CORRECTIVE ACTION.
- NO WORK WILL BE ALLOWED DAY OR NIGHT ON THE FOLLOWING DATES UNLESS IT IS CONSIDERED AN EMERGENCY, IMMEDIATE HAZARD OR ANY WORK AS DESIGNATED BY THE DEPARTMENT THAT REQUIRES FIRST PRIORITY CORRECTIVE ACTION:

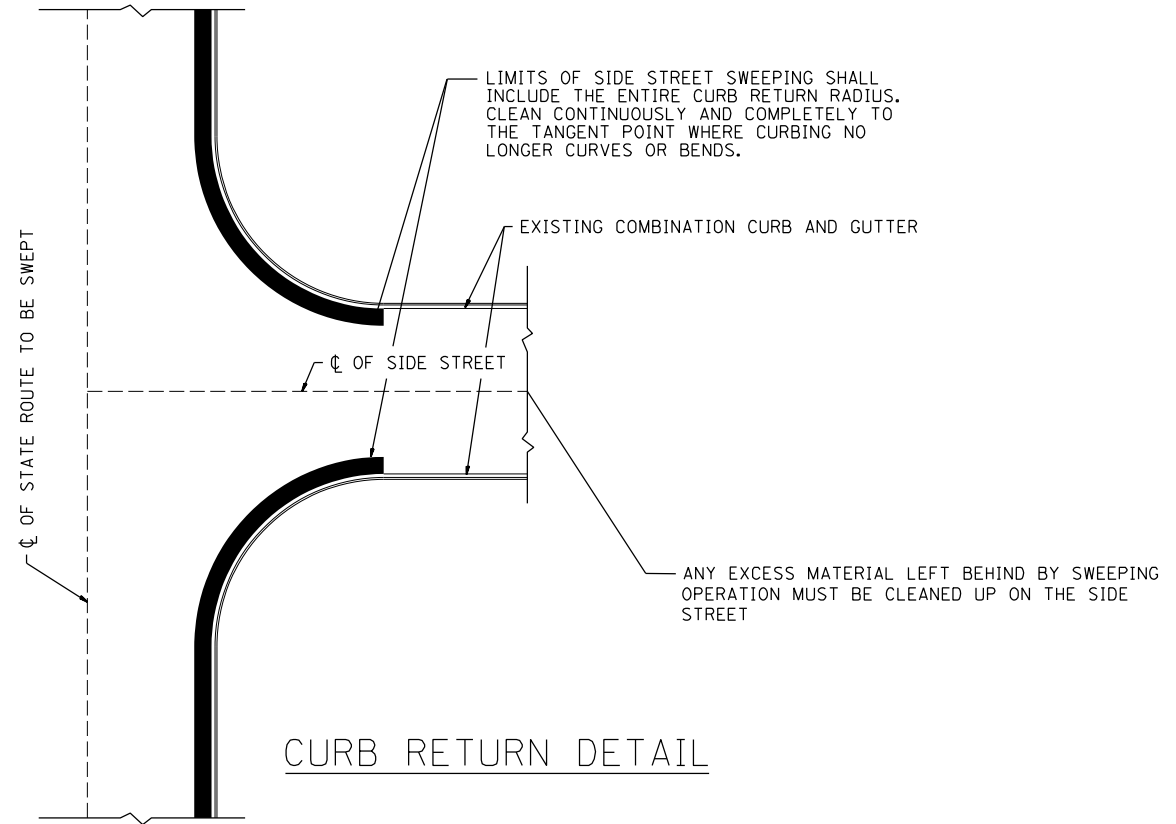
2021: APRIL 2 - APRIL 5	EASTER HOLIDAY
MAY 28 - JUNE 1	MEMORIAL DAY HOLIDAY
JULY 2 - JULY 6	INDEPENDENCE DAY HOLIDAY
SEPTEMBER 3 - SEPTEMBER 7	LABOR DAY HOLIDAY
NOVEMBER 24 - NOVEMBER 29	THANKSGIVING HOLIDAY
DECEMBER 23 - JANUARY 1/2022	CHRISTMAS/NEW YEAR'S HOLIDAY

PLOT DATE = 8/26/2020
 FILE NAME = pen\chenn\com\do\illinois\gov\p\1001\Documents\1001\Office\District\Projects\Sweeping\Contracta\CAD\Data\Design\SweepingContract2017.dgn
 PLOT SCALE = 1/85.8824 / in.
 USER NAME = mcdjup

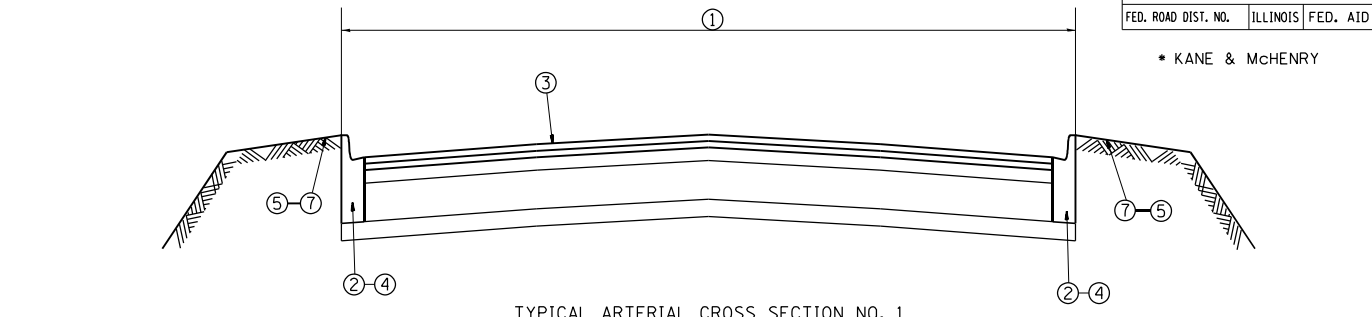
REVISIONS		ILLINOIS DEPARTMENT OF TRANSPORTATION
NAME	DATE	
		SUMMARY OF QUANTITIES AND SCHEDULE OF STARTING DATES
SCALE:	VERT. / HORIZ.	DRAWN BY
DATE		CHECKED BY

RTE.	SECTION	COUNTY	TOTAL SHEETS	SHEET NO.
VAR.	2020-225-1	*	7	5
STA.		TO STA.		
FED. ROAD DIST. NO.	ILLINOIS	FED. AID PROJECT		

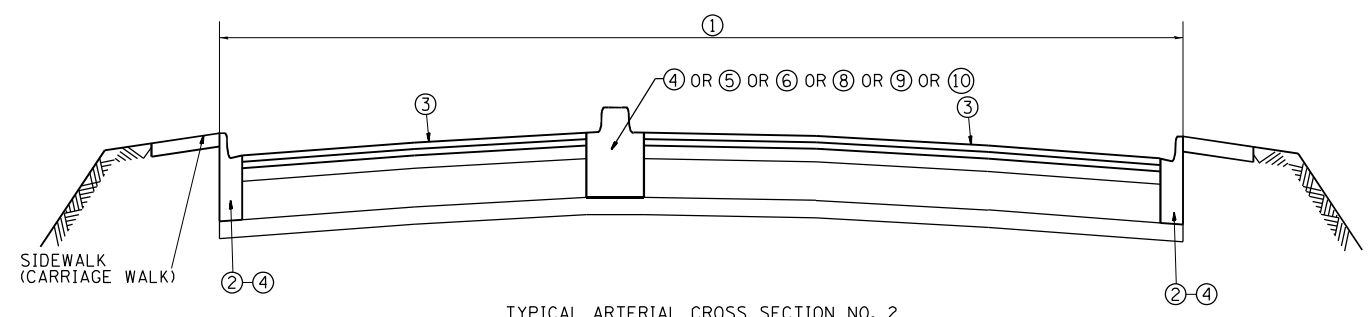
* KANE & MCHENRY



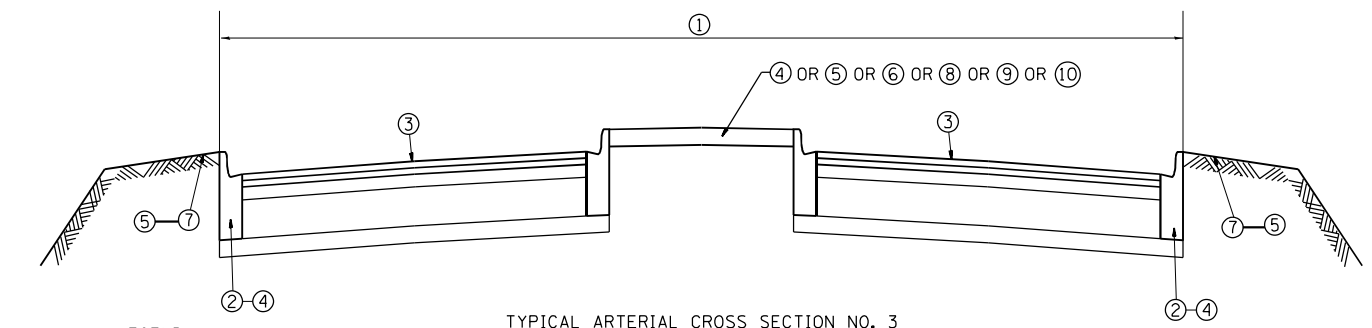
CURB RETURN DETAIL



TYPICAL ARTERIAL CROSS SECTION NO. 1



TYPICAL ARTERIAL CROSS SECTION NO. 2



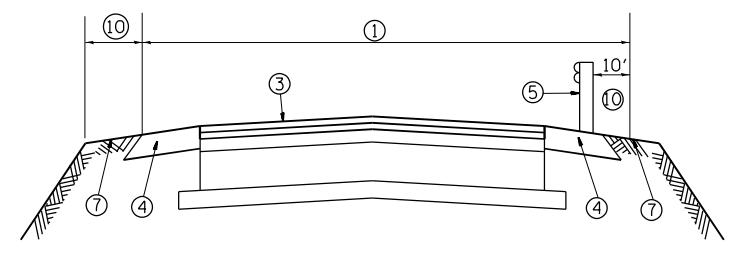
TYPICAL ARTERIAL CROSS SECTION NO. 3

LEGEND

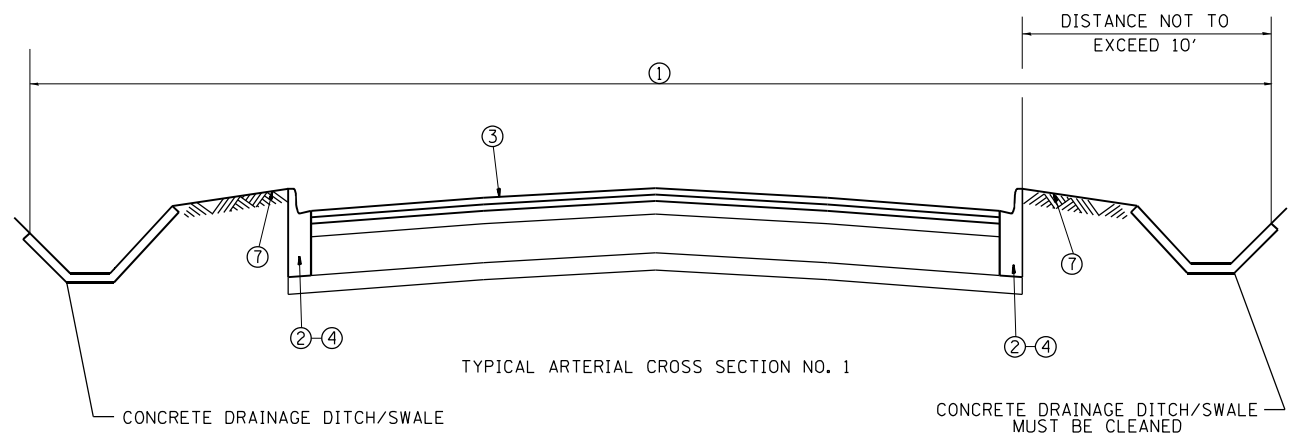
- ① AREA OF ROADWAY CLEANING AND RUBBISH REMOVAL
- ② CURB AND GUTTER
- ③ TRAVELED ROADWAY
- ④ STABILIZED SHOULDER OR MEDIAN
- ⑤ STEEL PLATE GUARDRAIL (SEE NOTE 1)
- ⑥ CONCRETE BARRIER
- ⑦ NON STABILIZED AREA
- ⑧ RAISED CONCRETE MEDIAN
- ⑨ ALL EXISTING TURF MEDIANS
- ⑩ LITTER PICKING

NOTES:

- 1) ALL LOCATIONS OF MEDIANS AND GUARDRAILS SHALL BE CLEANED OF ALL DEBRIS AND RUBBISH INCLUDING BUT NOT LIMITED TO DIRT, WEEDS, SAND, ROCKS, GRAVEL, CONCRETE, WOOD, LIMBS, LEAVES, GARBAGE & ANIMAL CARCASSES BY HAND LABORING UNDERNEATH AND 10 FEET BEHIND GUARDRAIL INCLUDING STABILIZED AND NON STABILIZED AREAS. THIS WORK SHALL BE CONSIDERED AS INCLUDED IN THE CONTRACT UNIT PRICE FOR ALL FULL CLEANING CYCLES.
- 2) SLOPE WALLS UNDER BRIDGES ARE NOT INCLUDED IN AREAS TO BE CLEANED.
- 3) ALL ARTERIAL INTERCHANGES, INTERSECTIONS, RAMPS AND CROSSOVERS SHALL BE CLEANED AND LITTER PICKED.
- 4) ALL PAVED DITCHES AND SPILLWAYS WITHIN 10' OF STABILIZED BASE SHALL BE CLEANED



TYPICAL ARTERIAL CROSS SECTION NO. 4



TYPICAL ARTERIAL CROSS SECTION NO. 1

REVISIONS	
NAME	DATE

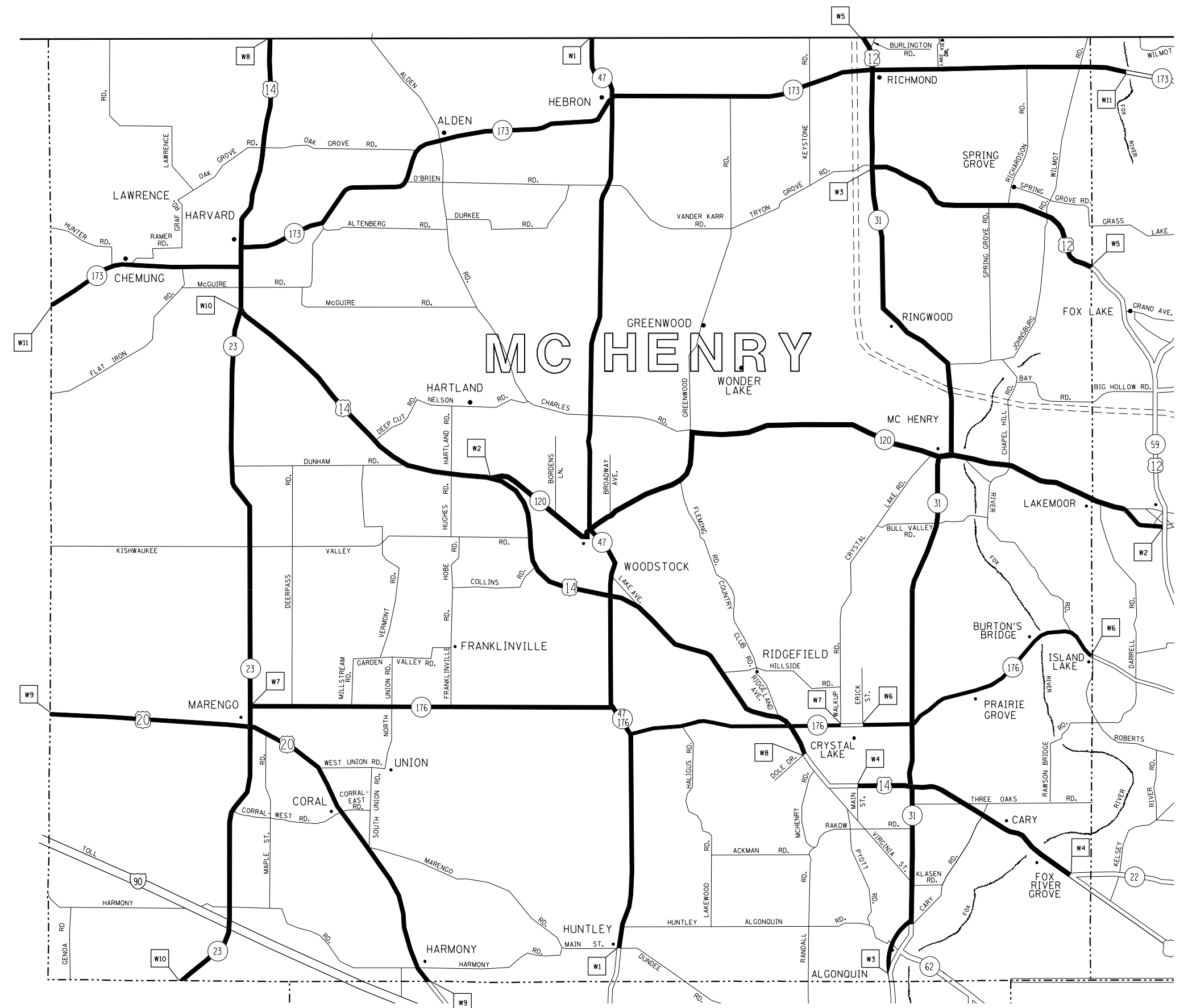
ILLINOIS DEPARTMENT OF TRANSPORTATION
 EXPRESSWAY AND ARTERIAL HIGHWAY
 CLEANING (SWEEPING)
TYPICAL
ARTERIAL CROSS SECTIONS
AND CURB RETURN DETAIL
 SCALE: VERT. / HORIZ.
 DATE: / / DRAWN BY: / CHECKED BY: /

PLOT DATE = 8/28/2020
 FILE NAME = p:\v\p\enr\com\do\illinois\go\p\m\001\Documents\1001\Office\District\Projects\Sweeping\Contracta\CAD\Drawings\SweepingContract2017.dgn
 PLOT SCALE = 1/8"=1'-0"
 USER NAME = mchup

F.A. RTE.	SECTION	COUNTY	TOTAL SHEETS	SHEET NO.
VAR. 2020-225-1	*		7	5
STA. TO STA.		ILLINOIS FED. AID PROJECT		
FED. ROAD DIST. NO.		* KANE & McHENRY		



TEAM SECTION	KEY LOCATIONS
WOODSTOCK	W1 - W11



DISTRICT NO. 1	
=====	STATE HIGHWAYS & EXPRESSWAYS WITHIN STATE JURISDICTION (EXCEPT TOLLWAYS)
————	STATE HIGHWAYS & EXPRESSWAYS TO BE CLEANED
- - - - -	FUTURE HIGHWAYS
_____	VARIOUS AGENCIES HIGHWAYS

REVISIONS	
NAME	DATE

ILLINOIS DEPARTMENT OF TRANSPORTATION

ARTERIAL CLEANING
LOCATION MAP
MC HENRY COUNTY
WOODSTOCK TEAM SECTION

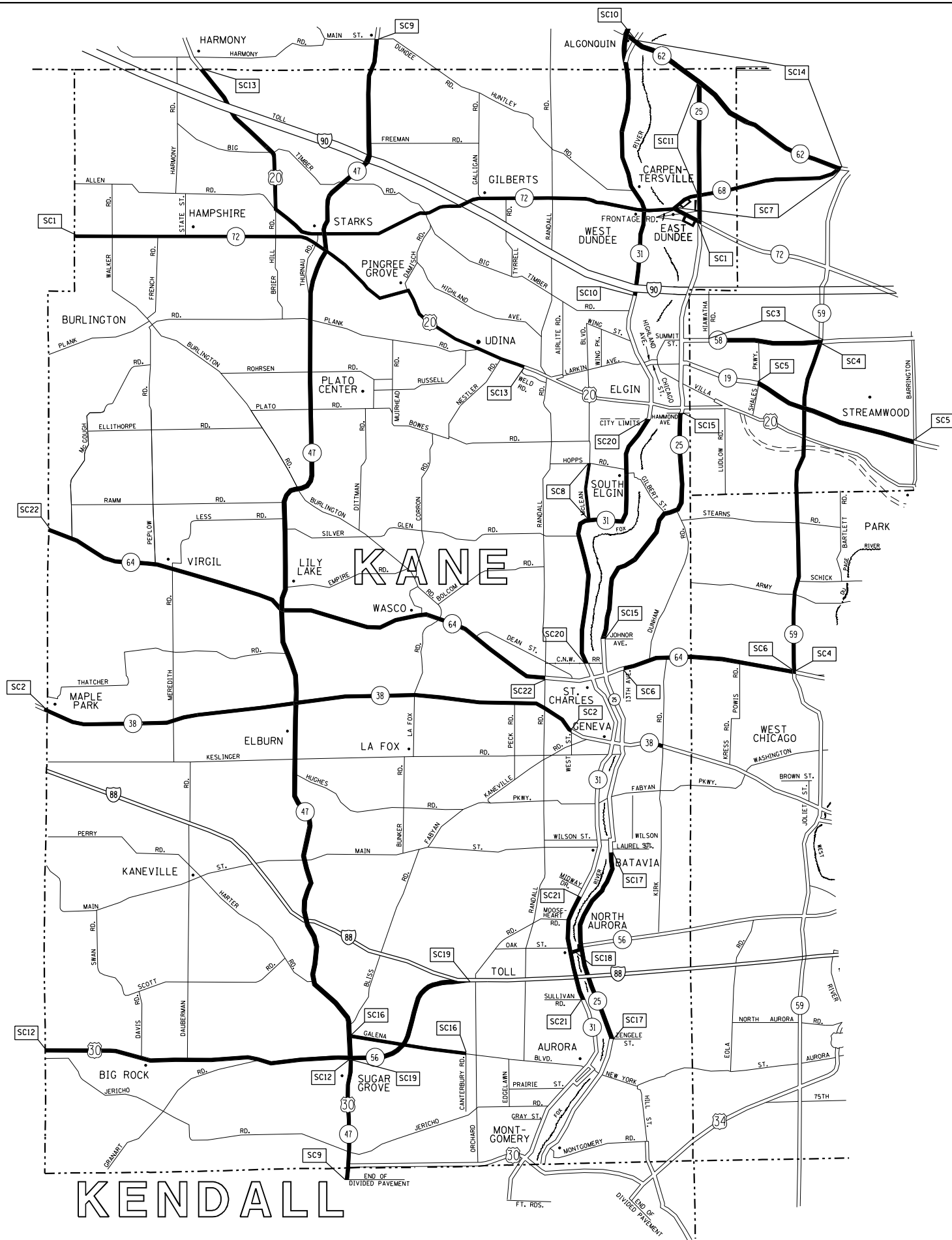
SCALE: VERT.
HORIZ.

DATE _____ DRAWN BY _____
CHECKED BY _____

PLOT DATE = 8/26/2020
 FILE NAME = pn\McHenry\com\do\illinois\go\p\MD01\Documents\MD01\Office\District\Projects\Sweeping\Contract\CADData\Design\SweepingContract2017.dgn
 PLOT SCALE = 1:65,882.4 / in.
 USER NAME = mclup

F.A. RTE.	SECTION	COUNTY	TOTAL SHEETS	SHEET NO.
VAR.	2020-225-I	*	7	6
STA.		TO STA.		
FED. ROAD DIST. NO.	ILLINOIS	FED. AID PROJECT		

* KANE & MCHENRY



TEAM SECTION	KEY LOCATIONS
ST. CHARLES	SC1 - SC22

- DISTRICT NO. 1
- STATE HIGHWAYS & EXPRESSWAYS WITHIN STATE JURISDICTION (EXCEPT TOLLWAYS)
 - STATE HIGHWAYS & EXPRESSWAYS TO BE CLEANED
 - FUTURE HIGHWAYS
 - VARIOUS AGENCIES HIGHWAYS

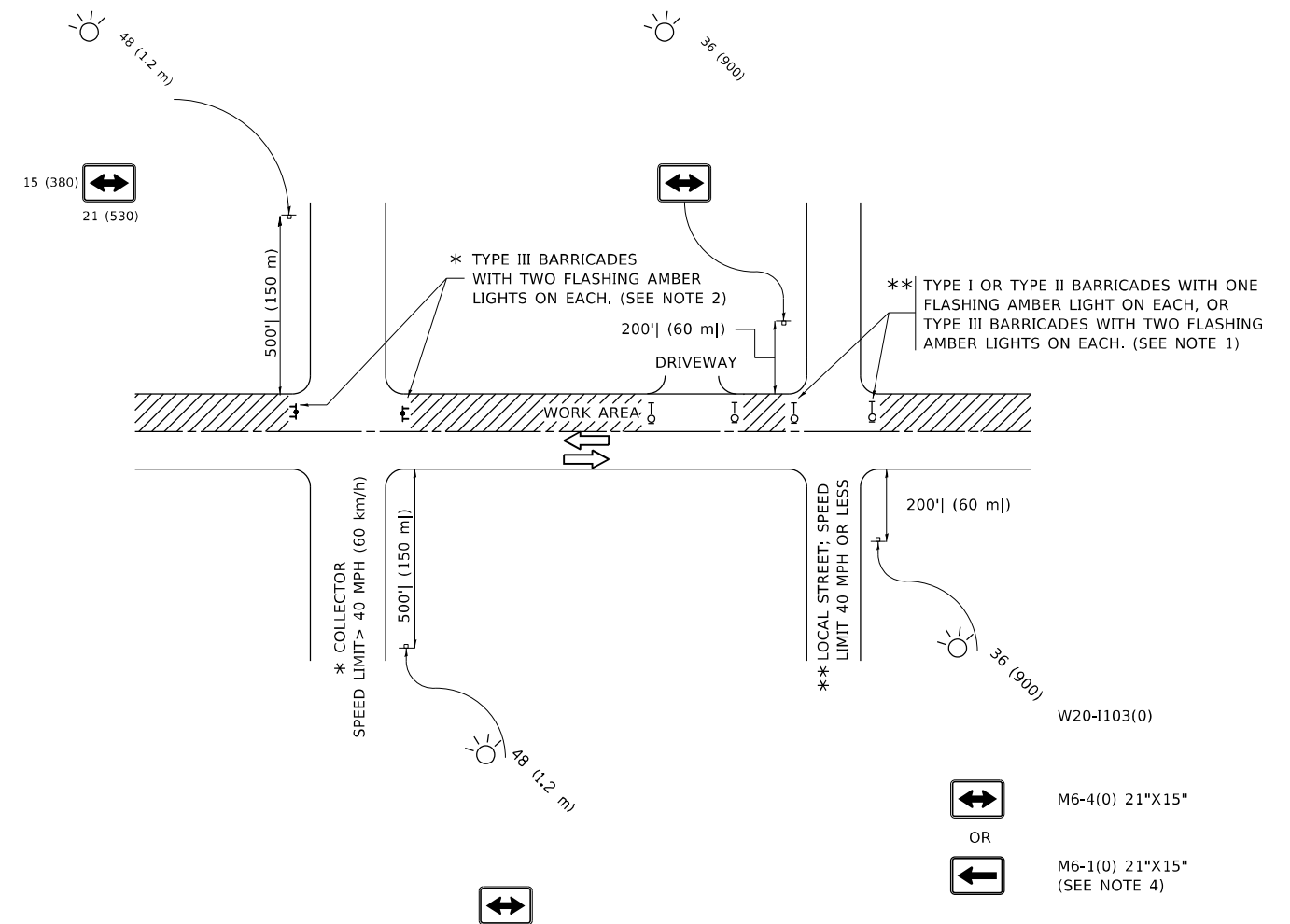
REVISIONS	
NAME	DATE

ILLINOIS DEPARTMENT OF TRANSPORTATION
ARTERIAL CLEANING
LOCATION MAP
KANE COUNTY
ST. CHARLES TEAM SECTION

SCALE: VERT. _____
 HORIZ. _____

DATE _____ DRAWN BY _____
 CHECKED BY _____

PLOT DATE = 8/26/2020
 FILE NAME = p:\kane\mch\mch\illinois\gov\p\1001\Documents\1001\Office\District\Projects\Sweeping\Contracta\CADData\Design\SweepingContract2017.dgn
 PLOT SCALE = 1/8" = 100'
 USER NAME = mchup



NOTES:

1. SIDE ROAD WITH A SPEED LIMIT OF 40 MPH (60 km/h) OR LESS AS SHOWN ON THE DRAWING AND AS DIRECTED BY THE ENGINEER:
 - a) ONE "ROAD CONSTRUCTION AHEAD" SIGN 36 x 36 (900x900) WITH A FLASHER MOUNTED ON IT APPROXIMATELY 200' (60 m) IN ADVANCE OF THE MAIN ROUTE.
 - b) THE CLOSED PORTION OF THE MAIN ROUTE SHALL BE PROTECTED BY BLOCKING WITH TYPE I, TYPE II OR TYPE III BARRICADES, 1/3 OF THE CROSS SECTION OF THE CLOSED PORTION.
2. SIDE ROAD WITH A SPEED LIMIT GREATER THAN 40 MPH (60 km/h) AS SHOWN ON THE DRAWING AND AS DIRECTED BY THE ENGINEER:
 - a) ONE "ROAD CONSTRUCTION AHEAD" SIGN 48 x 48 (1.2 m x 1.2 m) WITH A FLASHER MOUNTED ON IT APPROXIMATELY 500' (150 m) IN ADVANCE OF THE MAIN ROUTE.
 - b) BLOCKING WITH TYPE III BARRICADES, 1/2 OF THE CROSS SECTION OF THE CLOSED PORTION.
3. CONES MAY BE SUBSTITUTED FOR BARRICADES OR DRUMS AT HALF THE SPACING DURING DAY OPERATIONS. CONES SHALL BE A MINIMUM OF 28 (710) IN HEIGHT.
4. SIGNING AND THE WORK ZONE, A SINGLE HEADED ARROW (M6-1) SHALL BE USED IN LIEU OF THE DOUBLE HEADED ARROW (M6-4).
5. WHEN WORK IS BEING PERFORMED ON A SIDE ROAD OR DRIVEWAY, FOLLOW THE APPLICABLE STANDARD(S). THE DIRECTIONAL ARROW (M6-1 OR M6-4) SHALL BE COVERED OR REMOVED WHEN NO LONGER CONSISTENT WITH THE TRAFFIC CONTROL SET-UP.
6. ADVANCE WARNING SIGNS ARE TO BE OMITTED ON DRIVEWAYS UNLESS OTHERWISE SPECIFIED IN THE PLANS OR BY THE ENGINEER.
7. THE TRAFFIC CONTROL AND PROTECTION FOR SIDE ROADS, INTERSECTIONS, AND DRIVEWAYS SHALL BE INCLUDED IN THE COST OF SPECIFIED TRAFFIC CONTROL STANDARDS OR ITEMS.

All dimensions are in inches (millimeters) unless otherwise shown.

MODEL: Default
 FILE NAME: p:\m\m\room.dwg
 PROJECT: P:\Projects\Sweeping_Contract\CAD\Drawings\SweepingContract2017.dwg
 OFFICE: District 1

USER NAME = mldyja	DESIGNED - L.H.A.	REVISED - A. HOUSEH 10-15-96
	DRAWN -	REVISED - T. RAMMACHER 01-06-00
PLOT SCALE = 100,0000' / in.	CHECKED -	REVISED - A. SCHUETZE 07-01-13
PLOT DATE = 8/26/2020	DATE - 06-89	REVISED - A. SCHUETZE 09-15-16

**STATE OF ILLINOIS
DEPARTMENT OF TRANSPORTATION**

**TRAFFIC CONTROL AND PROTECTION FOR
SIDE ROADS, INTERSECTIONS, AND DRIVEWAYS**

SCALE: NONE SHEET 1 OF 1 SHEETS STA. TO STA.

F.A. RTE.	SECTION	COUNTY	TOTAL SHEETS	SHEET NO.
	2020-225-I	*	7	7
TC-10		CONTRACT NO. 62N02		
ILLINOIS FED. AID PROJECT				

* KANE & MCHENRY