

FOR INDEX OF SHEETS, SEE SHEET NO. 2  
 FOR SUMMARY OF QUANTITIES, SEE SHEETS NO. 3

STATE OF ILLINOIS 04-23-2021 LETTING ITEM 193  
 DEPARTMENT OF TRANSPORTATION

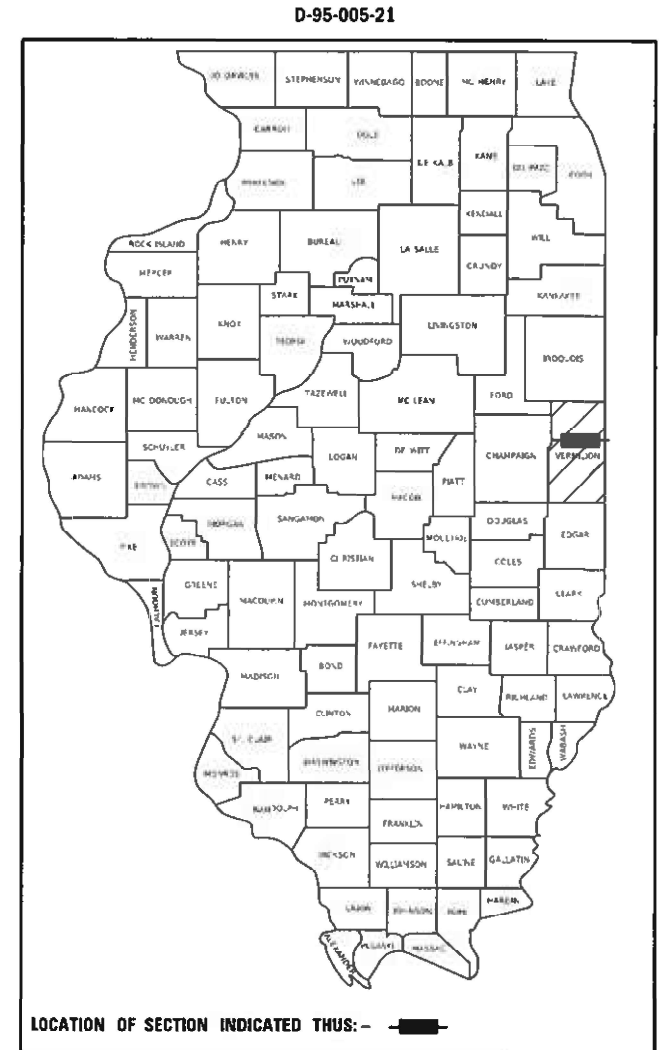
| FAI RTE. | SECTION   | COUNTY    | TOTAL SHEETS       | SHEET NO. |
|----------|-----------|-----------|--------------------|-----------|
| 74       | CM21-5014 | VERMILION | 6                  | 1         |
|          |           | ILLINOIS  | CONTRACT NO. 70F11 |           |

# PROPOSED HIGHWAY PLANS

FAI ROUTE 74 (I-74)  
 SECTION CM21-5014  
 PROJECT  
 CONTRACT MAINTENANCE PATCHING  
 VERMILION COUNTY

C-95-021-21

L STREET TO E OF US 150M 1 IN DANVILLE



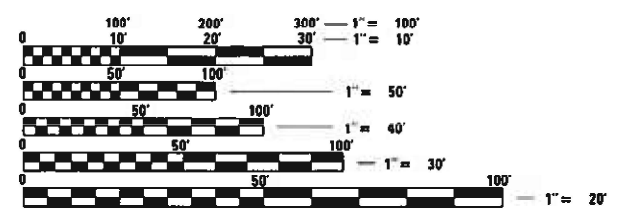
| TRAFFIC DATA |          |          |          |
|--------------|----------|----------|----------|
|              | LEG "A"  | LEG "B"  | LEG "C"  |
| 2020 ADT =   | 20,900.0 | 23,700.0 | 26,900.0 |
| PLU% =       | 61.7     | 65.5     | 70.2     |
| SU% =        | 3.9      | 4.1      | 3.4      |
| MU% =        | 34.4     | 30.4     | 26.4     |

TRAFFIC DATA LOCATIONS

LEG "A" = I-74 FROM "L" ST. TO "G" ST.  
 LEG "B" = I-74 FROM "G" ST. TO IL 1  
 LEG "C" = I-74 FROM IL 1 TO BOWMAN AVE

FUNCTIONAL CLASSIFICATION  
 INTERSTATE

TOWNSHIP:  
 DANVILLE



FULL SIZE PLANS HAVE BEEN PREPARED USING STANDARD ENGINEERING SCALES. REDUCED SIZED PLANS WILL NOT CONFORM TO STANDARD SCALES. IN MAKING MEASUREMENTS ON REDUCED PLANS, THE ABOVE SCALES MAY BE USED.

J.U.L.I.E.  
 JOINT UTILITY LOCATION INFORMATION FOR EXCAVATORS  
 1-800-892-0123  
 OR 811

PROJECT ENGINEER: JASON W. STULTS  
 DESIGNERS: ROBERT A. HODGSON  
 BRANDON C. SCHULTZ  
 PHONE: (217) 465-4181  
 CONTRACT NO. 70F11



BRIDGE OMISSION

SN 092-0009 (WB) STA. 1875+60.00 TO STA. 1879+00.00  
 SN 092-0008 (EB) STA. 1876+15.00 TO STA. 1879+00.00  
 SN 092-0013 (WB) STA. 1899+61.79 TO STA. 1902+45.16  
 SN 092-0012 (EB) STA. 1899+74.81 TO STA. 1902+59.98

GROSS LENGTH = 7,800.00 FT. = 1.478 MILE  
 NET LENGTH = 7,176.63 FT. = 1.359 MILE

STATE OF ILLINOIS  
 DEPARTMENT OF TRANSPORTATION

SUBMITTED 1/22/21  
 Kennel A. Barnett, Sr.  
 REGIONAL ENGINEER

March 19, 2021  
 Jason W. Stults  
 ENGINEER OF DESIGN AND ENVIRONMENT

March 19, 2021  
 Jason W. Stults  
 DIRECTOR OF HIGHWAYS PROJECT IMPLEMENTATION

PRINTED BY THE AUTHORITY  
 OF THE STATE OF ILLINOIS



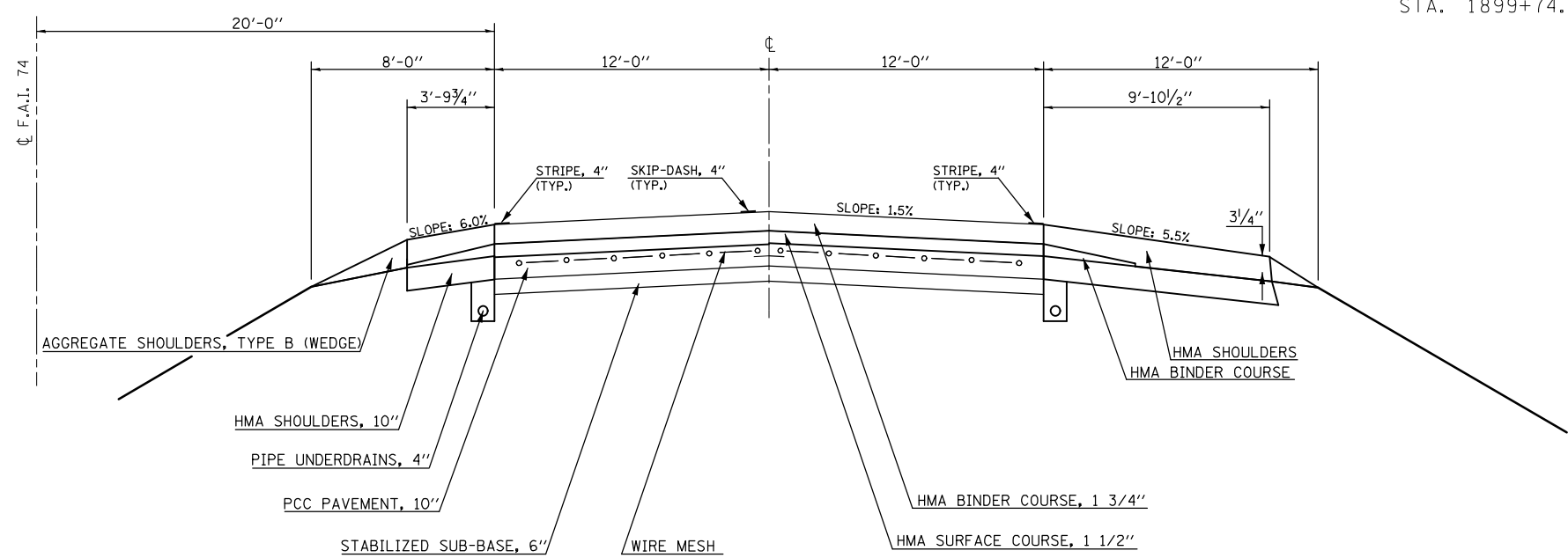


1 **EXISTING TYPICAL CROSS SECTION**

F.A.I. ROUTE 74

STATION 1872+00.00 TO STATION 1908+00.00 ②

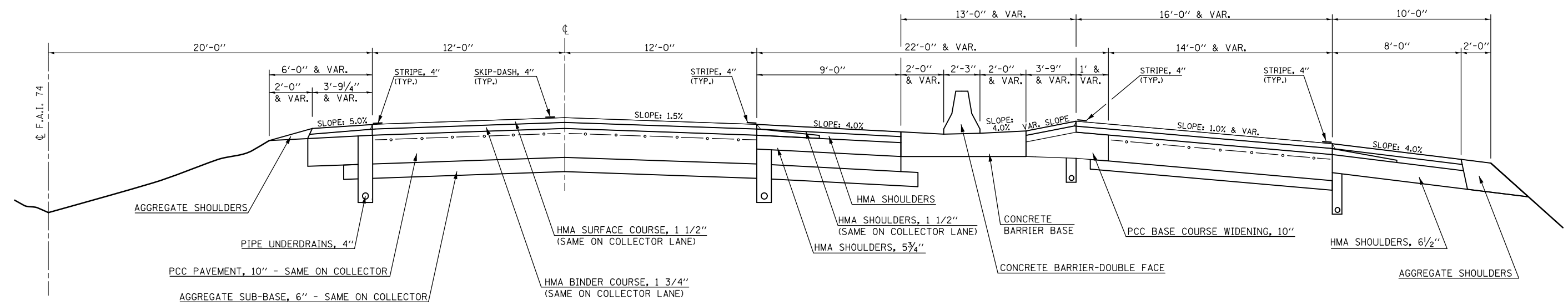
**BRIDGE OMISSION**  
 STA. 1875+60.00 TO STA. 1879+00.00 SN 092-0009 (WB)  
 STA. 1876+15.00 TO STA. 1879+00.00 SN 092-0008 (EB)  
 STA. 1899+61.79 TO STA. 1902+45.16 SN 092-0013 (WB)  
 STA. 1899+74.81 TO STA. 1902+59.98 SN 092-0012 (EB)



2 **EXISTING TYPICAL CROSS SECTION WITH COLLECTOR LANE**

F.A.I. ROUTE 74

STATION ① 1908+00.00 TO STATION 1950+00.00



MODEL: \\MODEL\NAME  
 FILE NAME: \\path\name.dwg  
 PROJECT: \\path\project\DWG\Project\Drawings\DOT\Office\Drawings\3\Projects\057011\1\CD\Drawings\CAD\Process\057011-2-R1-Typical.dwg

|                              |            |           |
|------------------------------|------------|-----------|
| USER NAME = DietzCB          | DESIGNED - | REVISED - |
|                              | DRAWN -    | REVISED - |
| PLOT SCALE = 40,0000 * / in. | CHECKED -  | REVISED - |
| PLOT DATE = 1/22/2021        | DATE -     | REVISED - |

**STATE OF ILLINOIS  
 DEPARTMENT OF TRANSPORTATION**

|                                    |                     |
|------------------------------------|---------------------|
| <b>TYPICAL CROSS SECTIONS</b>      |                     |
| <b>FAI 74 (I-74)</b>               |                     |
| SCALE:                             | SHEET 1 OF 1 SHEETS |
| STA. 1872+00.00 TO STA. 1950+00.00 |                     |

|                           |           |           |              |           |
|---------------------------|-----------|-----------|--------------|-----------|
| F.A.I. RTE.               | SECTION   | COUNTY    | TOTAL SHEETS | SHEET NO. |
| 74                        | CM21-5014 | VERMILION | 6            | 4         |
| CONTRACT NO. 70F11        |           |           |              |           |
| ILLINOIS FED. AID PROJECT |           |           |              |           |

# SCHEDULE OF QUANTITIES

## PATCHING SCHEDULE

| DIRECTION | LANE | DESCRIPTION                                      | LENGTH<br>(FOOT) | WIDTH<br>(FOOT) | 44201803<br>CLASS D PATCHES,<br>TYPE II, 13 INCH<br>(SQ YD) | 44201807<br>CLASS D PATCHES,<br>TYPE III, 13<br>INCH<br>(SQ YD) | 44201809<br>CLASS D PATCHES,<br>TYPE IV, 13 INCH<br>(SQ YD) |
|-----------|------|--|------------------|-----------------|---|---|---|
| WB        | DL   | WEST END OF G STREET<br>BRIDGE APPROACH PAVEMENT | 100              | 12              | --  | --  | 133.3   |
| WB        | PL   | WEST END OF G STREET<br>BRIDGE APPROACH PAVEMENT | 100              | 12              | --  | --  | 133.3   |
| WB        | DL   | GORE AREA OF ENTRANCE RAMP<br>AT G STREET        | 200              | 12              | --  | --  | 266.7   |
| WB        | PL   | GORE AREA OF ENTRANCE RAMP<br>AT G STREET        | 200              | 12              | --  | --  | 266.7   |
| EB        | DL   | GORE AREA OF EXIT RAMP<br>AT G STREET            | 100              | 12              | --  | --  | 133.3   |
| EB        | PL   | GORE AREA OF EXIT RAMP<br>AT G STREET            | 10               | 12              | 13.3  | --  | --  |
| EB        | DL   | 200' PAST G STREET<br>EXIT GORE AREA             | 100              | 12              | --  | --  | 133.3   |
| EB        | DL   | 150' WEST OF G STREET W<br>APPROACH              | 18               | 12              | --  | 24.0  | --  |
| EB        | PL   | 100' WEST OF G STREET WEST<br>APPROACH           | 100              | 12              | --  | --  | 133.3   |
| EB        | DL   | 100' WEST OF RT. 1 FNTRANCE<br>GORE              | 100              | 12              | --  | --  | 133.3   |
| TOTAL=    |      |  |                  |                 | 13.33   | 24.00   | 1333.33   |
| ROUND TO: |      |  |                  |                 | 14.00   | 24.00   | 1334.00   |

MODEL: \\MODEL\MNMF  
 FILE NAME: \\p14m100m\dot\illinois.gov\PIWDOT\Documents\DOT\_Offices\Director\_3\Projects\0570F11\CAD\Drawings\CAD\Faces\0570F11\_rpt\Schedule.dgn

|                              |            |           |
|------------------------------|------------|-----------|
| USER NAME = DietzCB          | DESIGNED - | REVISED - |
|                              | DRAWN -    | REVISED - |
| PLOT SCALE = 40,0000 * / in. | CHECKED -  | REVISED - |
| PLOT DATE = 1/22/2021        | DATE -     | REVISED - |

**STATE OF ILLINOIS  
DEPARTMENT OF TRANSPORTATION**

**SCHEDULE OF QUANTITIES**

SCALE: SHEET 1 OF 1 SHEETS STA. TO STA.

| F.A.I<br>RTE.             | SECTION   | COUNTY    | TOTAL<br>SHEETS | SHEET<br>NO. |
|---------------------------|-----------|-----------|-----------------|--------------|
| 74                        | CM21-5014 | VERMILION | 6               | 5            |
| CONTRACT NO. 70F11        |           |           |                 |              |
| ILLINOIS FED. AID PROJECT |           |           |                 |              |

