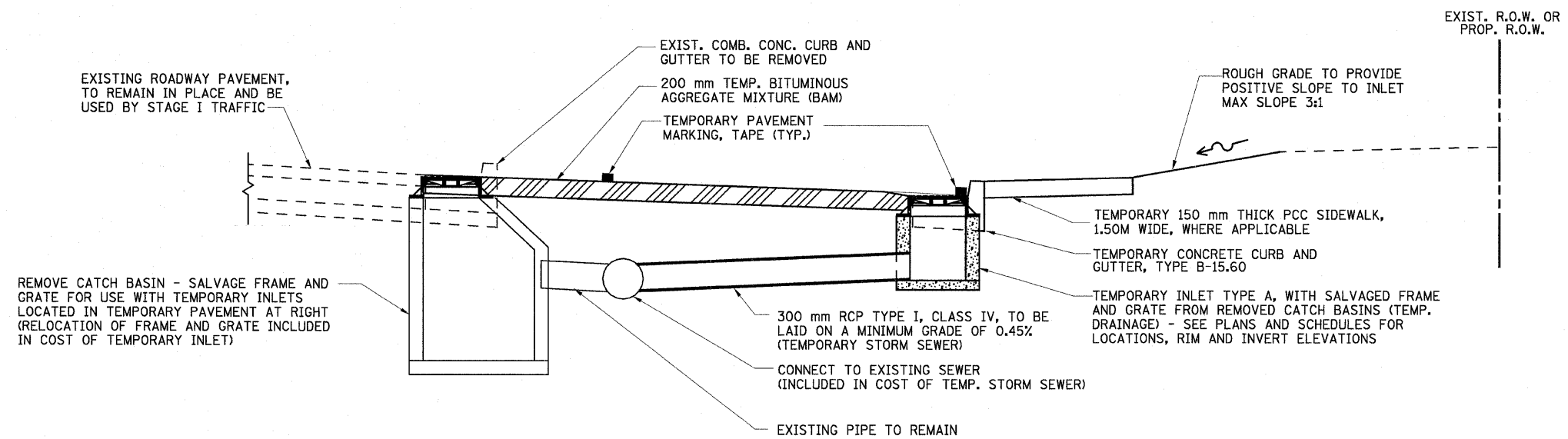
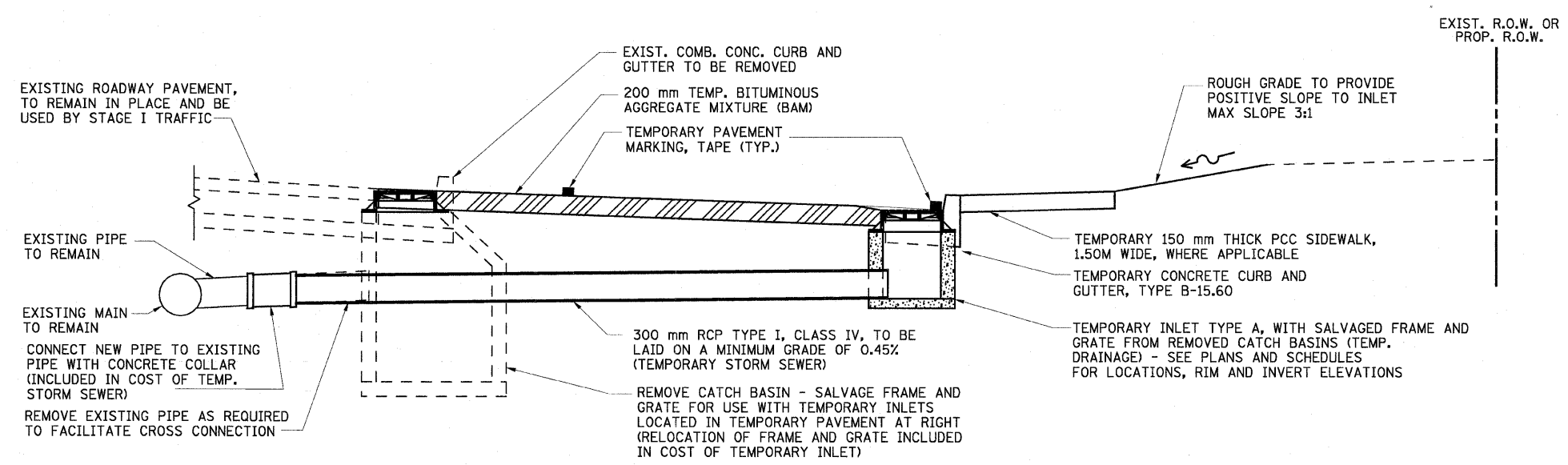


NOTE: STRUCTURE OFFSET LOCATIONS GIVEN ON THE PLANS ARE TO THE FOLLOWING POINTS:  
 A) FOR STRUCTURES FALLING IN THE CURB LINE - TO THE EDGE OF PAVEMENT  
 B) FOR ALL OTHER STRUCTURE LOCATIONS - TO THE CENTER OF THE STRUCTURE



TEMPORARY INLET WHERE EXISTING SEWER MAIN IS BETWEEN TEMPORARY INLET AND EXISTING STRUCTURE



TEMPORARY INLET WHERE EXISTING STRUCTURE IS BETWEEN TEMPORARY INLET AND EXISTING SEWER MAIN