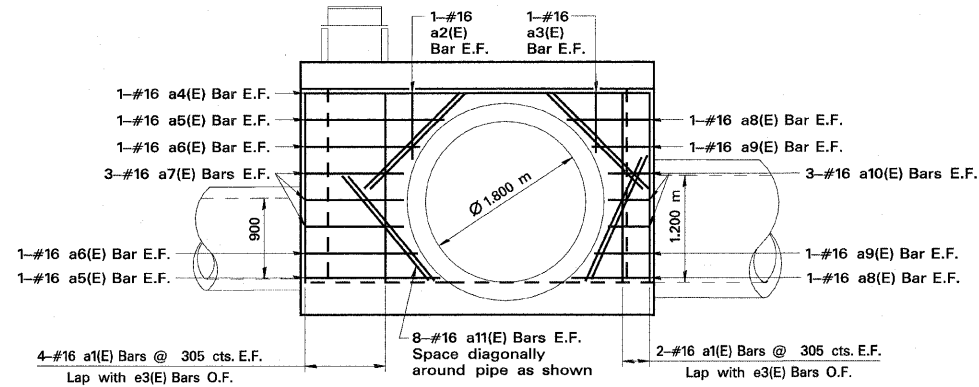
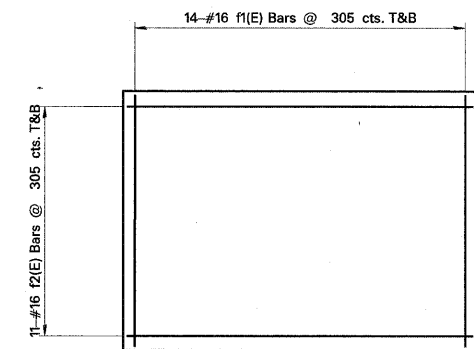


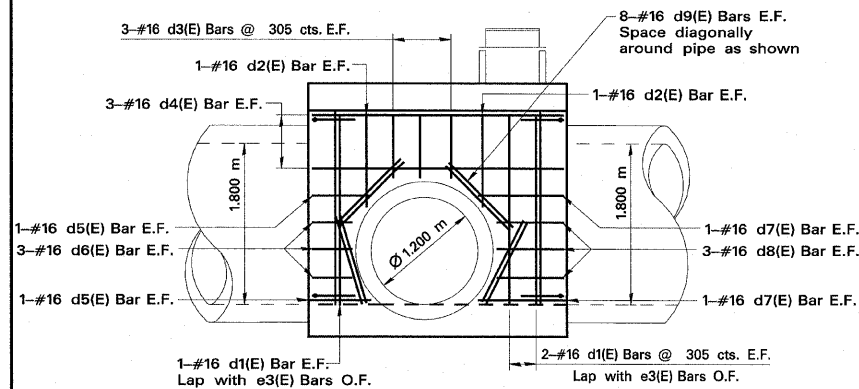
FOOTING REINFORCEMENT - PLAN



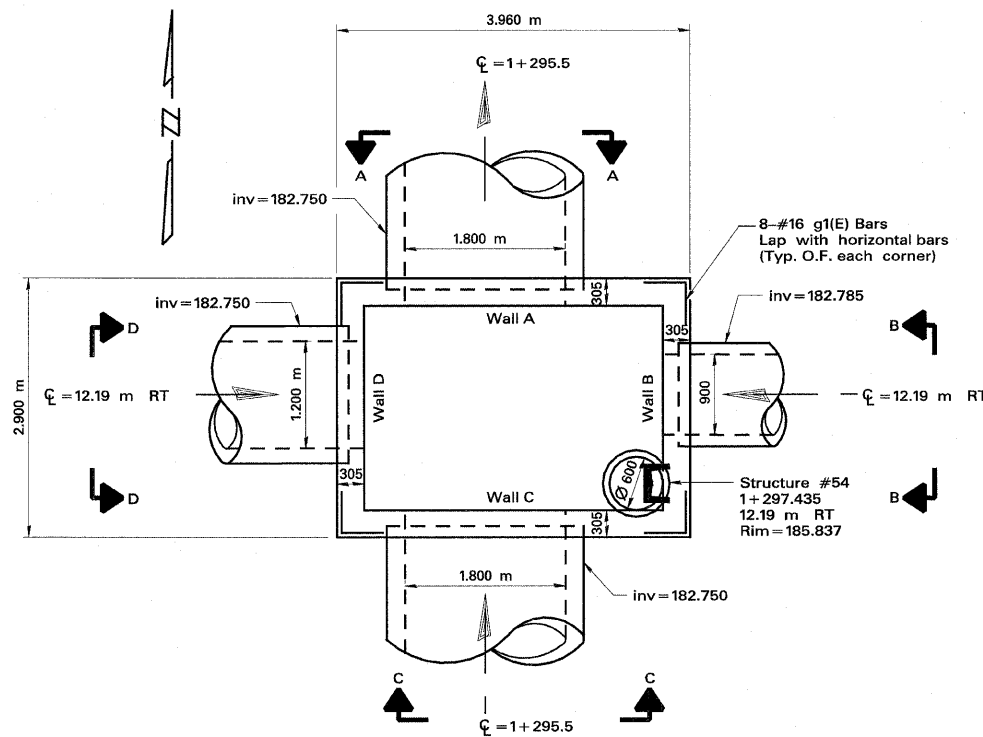
VIEW A
(Only Wall A reinforcement shown for clarity)



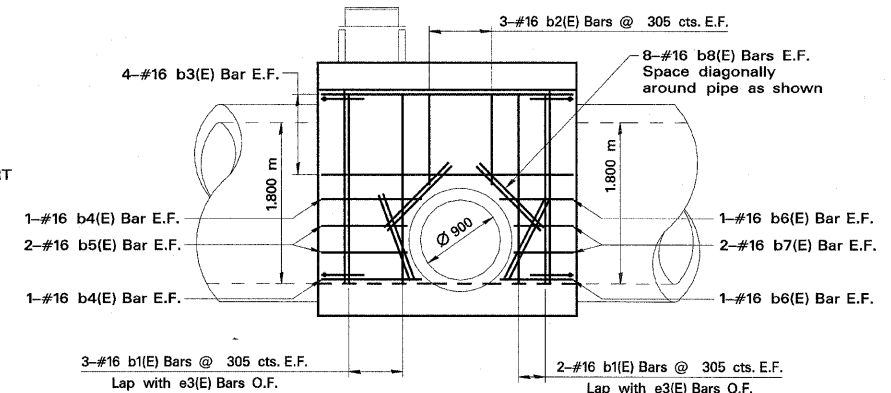
TOP SLAB REINFORCEMENT - PLAN



VIEW D
(Only Wall D reinforcement shown for clarity)



TOP PLAN



VIEW B
(Only Wall B reinforcement shown for clarity)

BILL OF MATERIAL

BAR	NO.	SIZE	LENGTH	SHAPE
a1(E)	12	#16M	2120	
a2(E)	2	#16M	740	
a3(E)	2	#16M	660	
a4(E)	2	#16M	3860	
a5(E)	4	#16M	1550	
a6(E)	4	#16M	1280	
a7(E)	6	#16M	1090	
a8(E)	4	#16M	910	
a9(E)	4	#16M	640	
a10(E)	6	#16M	460	
a11(E)	16	#16M	1500	
b1(E)	10	#16M	2120	
b2(E)	6	#16M	1300	
b3(E)	8	#16M	2800	
b4(E)	4	#16M	1100	
b5(E)	4	#16M	940	
b6(E)	4	#16M	800	
b7(E)	4	#16M	640	
b8(E)	16	#16M	1000	

BILL OF MATERIAL

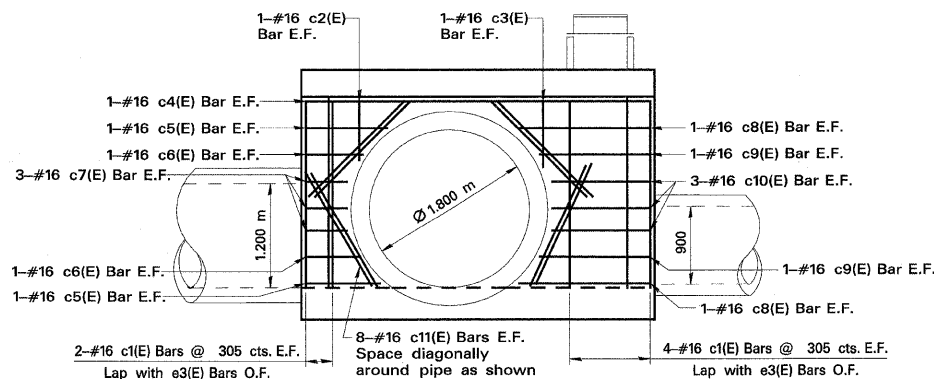
BAR	NO.	SIZE	LENGTH	SHAPE
c1(E)	12	#16M	2120	
c2(E)	2	#16M	660	
c3(E)	2	#16M	740	
c4(E)	2	#16M	3860	
c5(E)	4	#16M	910	
c6(E)	4	#16M	640	
c7(E)	6	#16M	460	
c8(E)	4	#16M	1470	
c9(E)	4	#16M	1230	
c10(E)	6	#16M	1090	
c11(E)	16	#16M	1500	
d1(E)	6	#16M	2120	
d2(E)	4	#16M	1020	
d3(E)	6	#16M	700	
d4(E)	6	#16M	2800	
d5(E)	4	#16M	640	
d6(E)	6	#16M	430	
d7(E)	4	#16M	940	
d8(E)	6	#16M	730	
d9(E)	16	#16M	1000	
e1(E)	28	#16M	2800	
e2(E)	22	#16M	3860	
e3(E)	20	#16M	1420	
f1(E)	28	#16M	2800	
f2(E)	22	#16M	3860	
g1(E)	32	#16M	920	

Legend:
E.F. = Each Face
O.F. = Outside Face
T&B = Top & Bottom

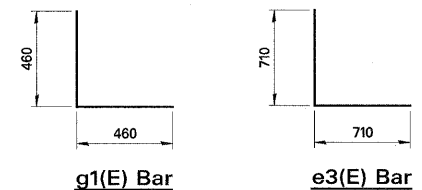
URS 100 S. WACKER DR., SUITE 500
CHICAGO, ILLINOIS 60606
TEL. (312) 939-1000
FAX (312) 939-4198

CONCRETE STRUCTURES	Cu. M	12.4 *
REINFORCEMENT BARS, EPOXY COATED	KG	1100 *

* NOTE: QUANTITIES FOR INFORMATION ONLY. JUNCTION CHAMBER MEASURED AND PAID FOR PER EACH.



VIEW C
(Only Wall C reinforcement shown for clarity)



REVISIONS	
NAME	DATE

ILLINOIS DEPARTMENT OF TRANSPORTATION
US RTE 6 FROM I-294 TO IL RTE 1
DRAINAGE AND UTILITIES
JUNCTION CHAMBER - DETAILS
STATION 1+297.435, 13.75 m RT
SHEET 2 OF 2

DU-47 DRAWN BY PMV
DATE 01/28/09 CHECKED BY MAD