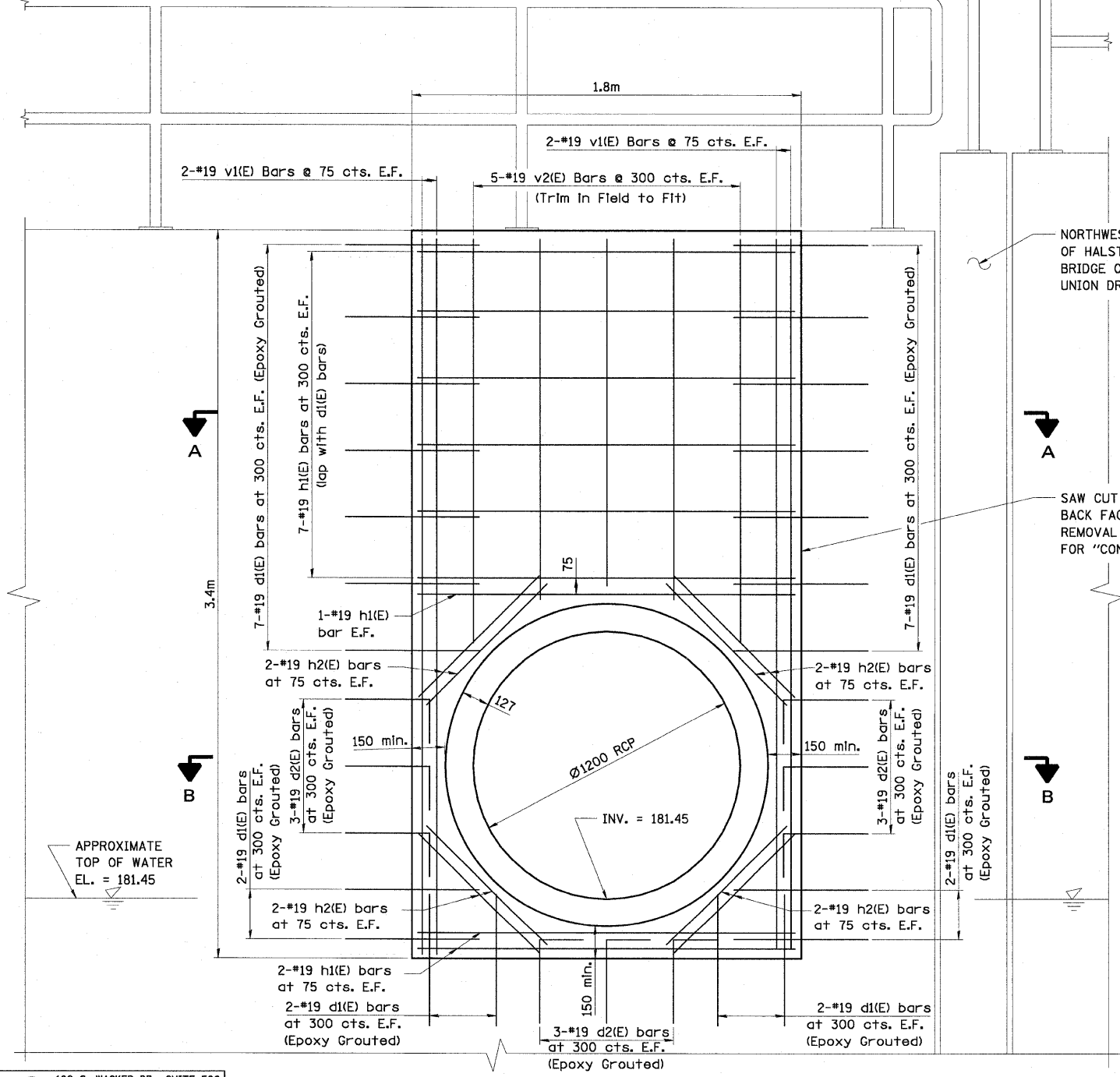
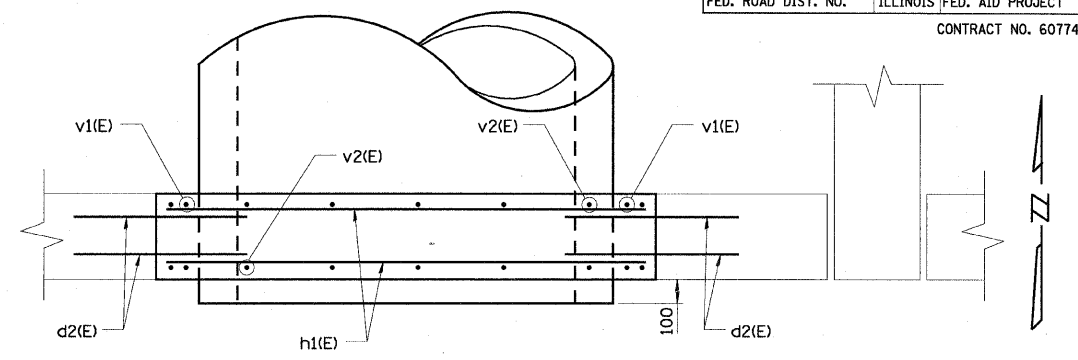


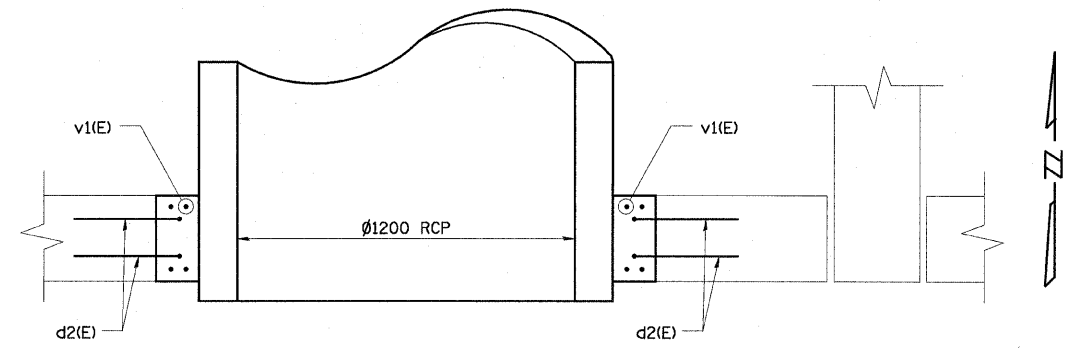
TOTAL LENGTH OF RAILING SYSTEM IS APPROXIMATELY 15 METERS.
TOTAL NUMBER OF POSTS ON TOP OF WALL = 7



RETAINING WALL MODIFICATION ELEVATION (LOOKING NORTH)

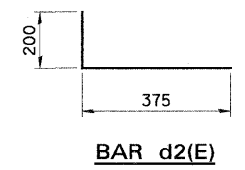


SECTION A-A



SECTION B-B

SAW CUT MINIMUM 1" DEEP ON FRONT AND BACK FACES ALONG VERTICAL AND HORIZONTAL REMOVAL LINES. COST INCLUDED IN UNIT PRICE FOR "CONCRETE REMOVAL".



BILL OF MATERIAL

| BAR | NO. | SIZE | LENGTH | SHAPE |
|----------------------------------|-----|------|--------|-------|
| d1(E) | 44 | #19M | 800 | — |
| d2(E) | 18 | #19M | 580 | L |
| h1(E) | 18 | #19M | 1700 | — |
| h2(E) | 16 | #19M | 800 | — |
| v1(E) | 8 | #19M | 3300 | — |
| v2(E) | 10 | #19M | 1900 | — |
| CONCRETE STRUCTURES | | | Cu. M | 1.3 |
| REINFORCEMENT BARS, EPOXY COATED | | | KG | 200 |
| CONCRETE REMOVAL | | | Cu. M | 1.8 |

- NOTES:
- Reinforcement bars designated (E) shall be epoxy coated.
 - Concrete cover shall be 50mm minimum unless noted otherwise.
 - Space reinforcement near top of wall to miss railing anchor bolts.
 - Provide minimum lap length of 450mm for all #19 bars.
 - Epoxy Grout bars d1(E) and d2(E) in minimum 300mm deep drilled holes. The material and installation shall be in accordance with IDOT Standard Specification Section 584. Cost included as part of "Concrete Structures".
 - Bonded Construction Joint at interface between existing concrete and proposed concrete shall be in accordance with Standard Specifications Article 503.09. Cost included as part of "Concrete Structures".
 - All dimensions are in millimeters (mm) except as noted.
 - Remove and re-attach base of railing post situated over work area using 4 1/2" diameter galvanized anchors grouted a minimum of 150mm into top of wall. Alternately, remove and reattach entire railing assembly. Cost included in unit price of "Concrete Structures".
 - Cost of all required excavation and backfill included in pay items associated with construction of storm sewer.
 - Provide all necessary materials and equipment to maintain dewatered condition for full extent of removal and construction. Cost included in "Concrete Structures".

| REVISIONS | |
|-----------|------|
| NAME | DATE |
| | |
| | |
| | |
| | |
| | |

ILLINOIS DEPARTMENT OF TRANSPORTATION
US RTE 6 FROM I-294 TO IL RTE 1
DRAINAGE AND UTILITIES
HALSTED STREET
RETAINING WALL MODIFICATIONS
DU-48
DATE 01/28/09
DRAWN BY MAD
CHECKED BY DEY