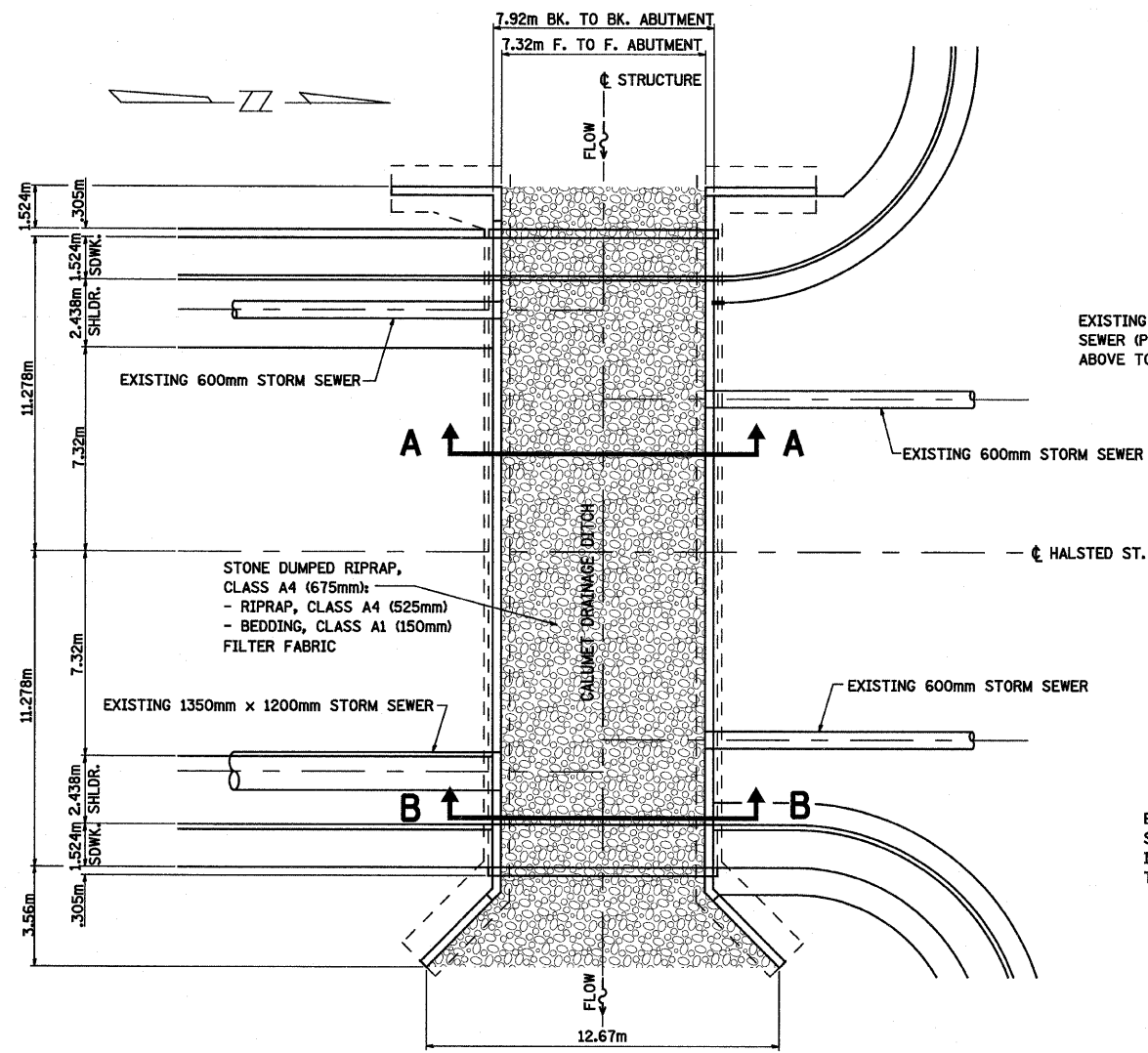
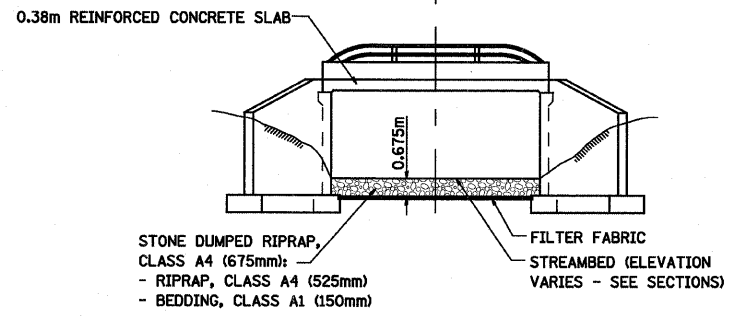


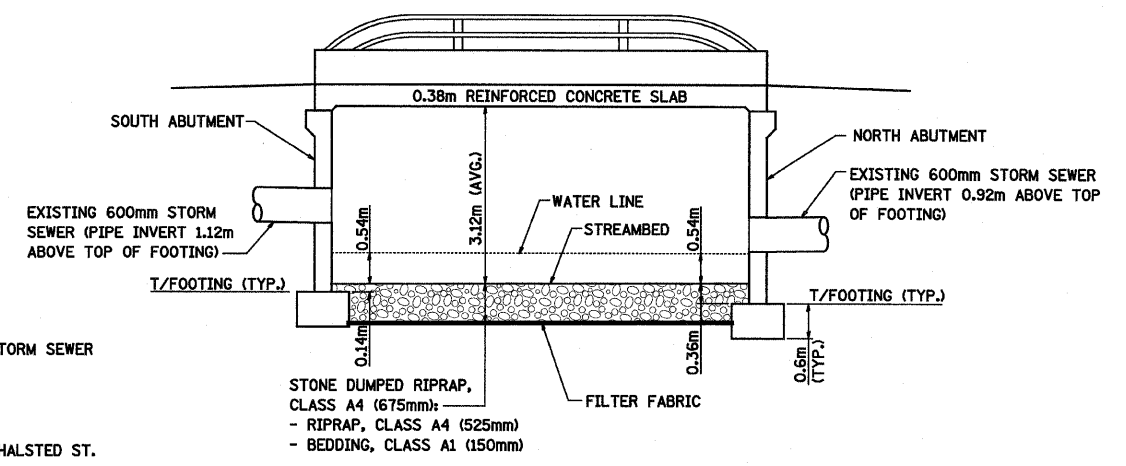
F.A.P. RTE.	SECTION	COUNTY	TOTAL SHEETS	SHEET NO.
351	3277R	COOK	541	147
STA.		TO STA.		
FED. ROAD DIST. NO.		ILLINOIS FED. AID PROJECT		
CONTRACT NO. 60774				



PLAN

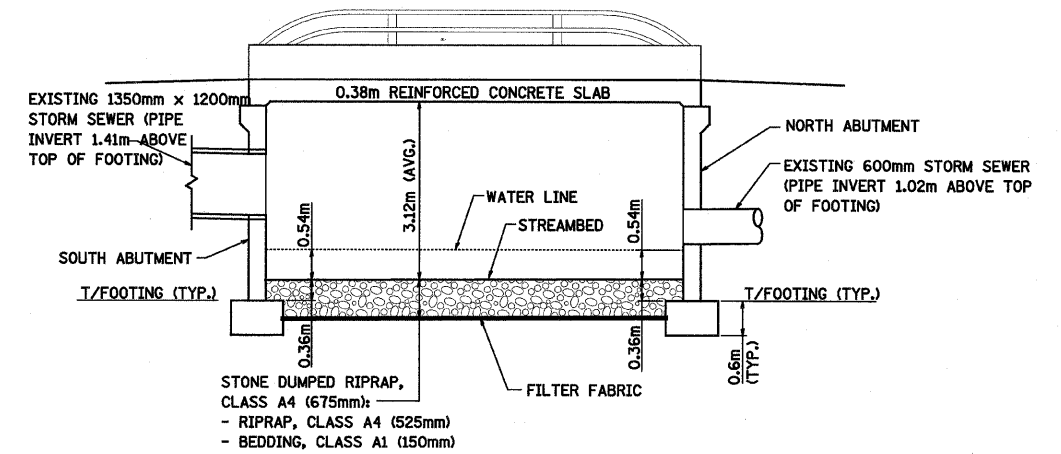


ELEVATION



SECTION A-A

(LOOKING WEST THRU WEST HALF OF BOX CULVERT)



SECTION B-B

(LOOKING WEST THRU EAST HALF OF BOX CULVERT)

REVISIONS	
NAME	DATE

ILLINOIS DEPARTMENT OF TRANSPORTATION
 US RTE 6 FROM I-294 TO IL RTE 1
 CONSTRUCTION DETAILS
 HALSTED STREET AT
 CALUMET UNION DRAINAGE DITCH
 DU-51
 DATE 01/28/09
 DRAWN BY MRF
 CHECKED BY JRP