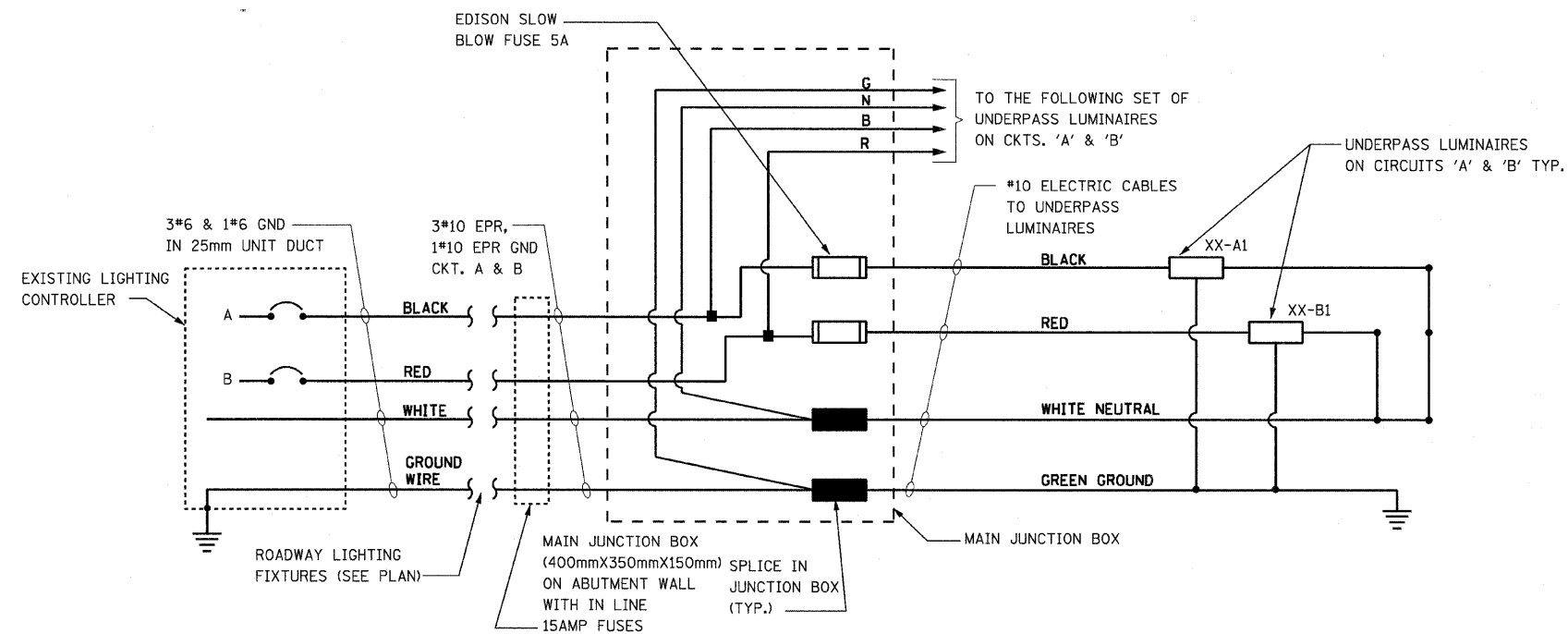
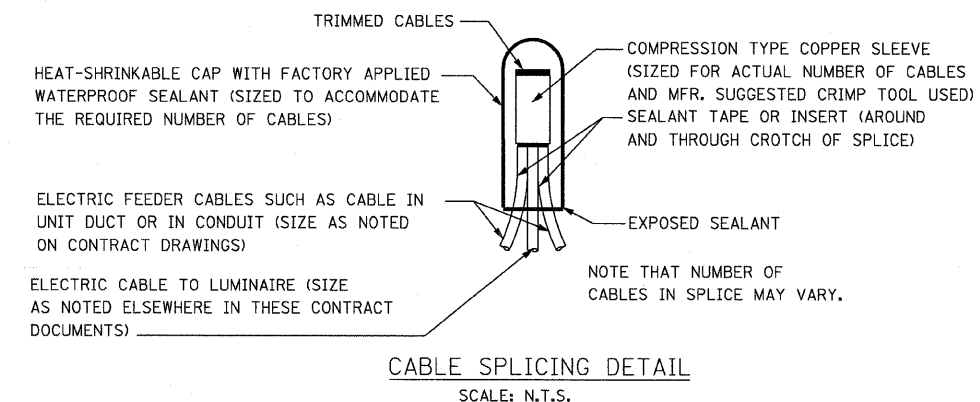


F.A. RTE.	SECTION	COUNTY	TOTAL SHEETS	SHEET NO.
351	3277R	COOK	541	358
STA.		TO STA.		
FED. ROAD DIST. NO.	ILLINOIS	FED. AID PROJECT		
CONTRACT NO. 60774				



UNDERPASS LIGHTING SCHEMATIC DIAGRAM



DRAWING No. E-29

REVISIONS	
NAME	DATE

ILLINOIS DEPARTMENT OF TRANSPORTATION  
 US RTE 6 FROM I-294 TO IL RTE 1  
 UNDERPASS LIGHTING SCHEMATIC &  
 CABLE SPLICING DETAIL

SCALE AS NOTED  
 DATE 01/28/09  
 DRAWN BY S.S./W.S.  
 CHECKED BY C.K./H.S.