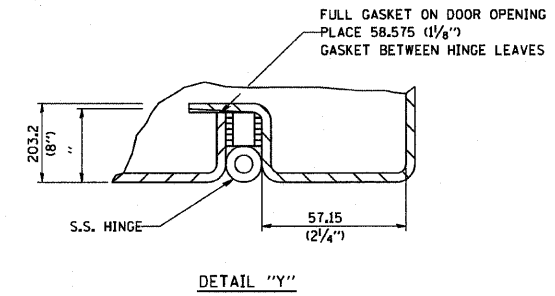
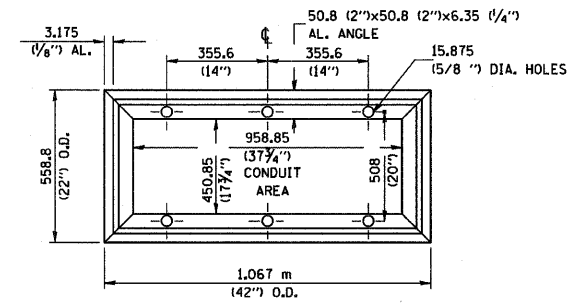


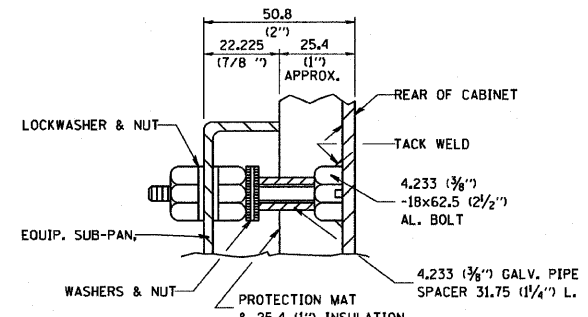
F.A. DIST. NO.	SECTION	COUNTY	TOTAL SHEETS	SHEET NO.
351	3277R	COOK	541	361
STA.		TO STA.		
FED. ROAD DIST. NO.		ILLINOIS FED. AID PROJECT		



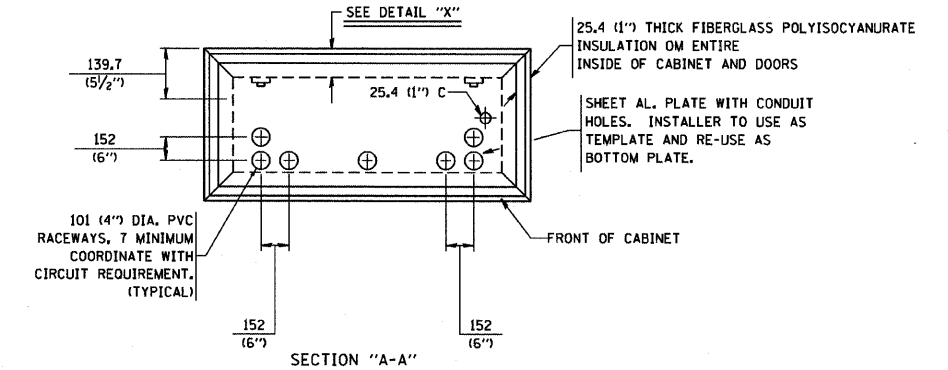
DETAIL "Y"



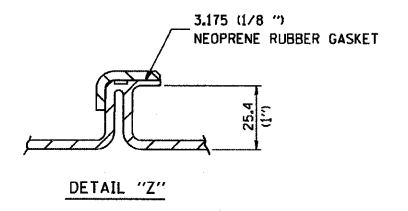
BASE MTG. DETAIL



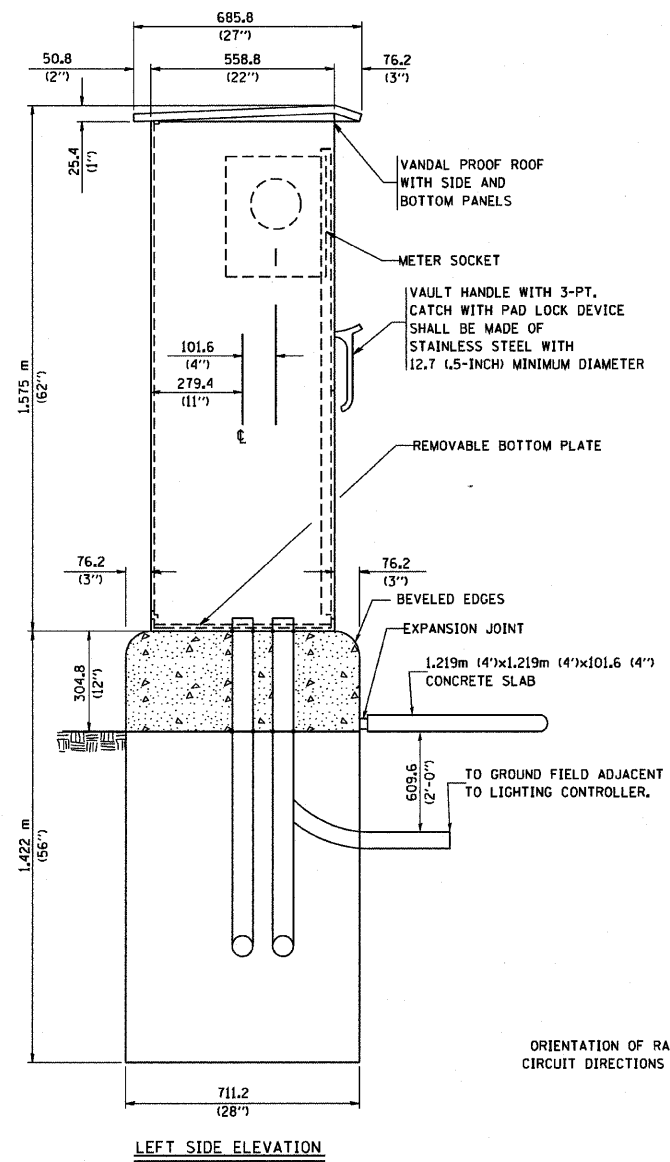
DETAIL "X"



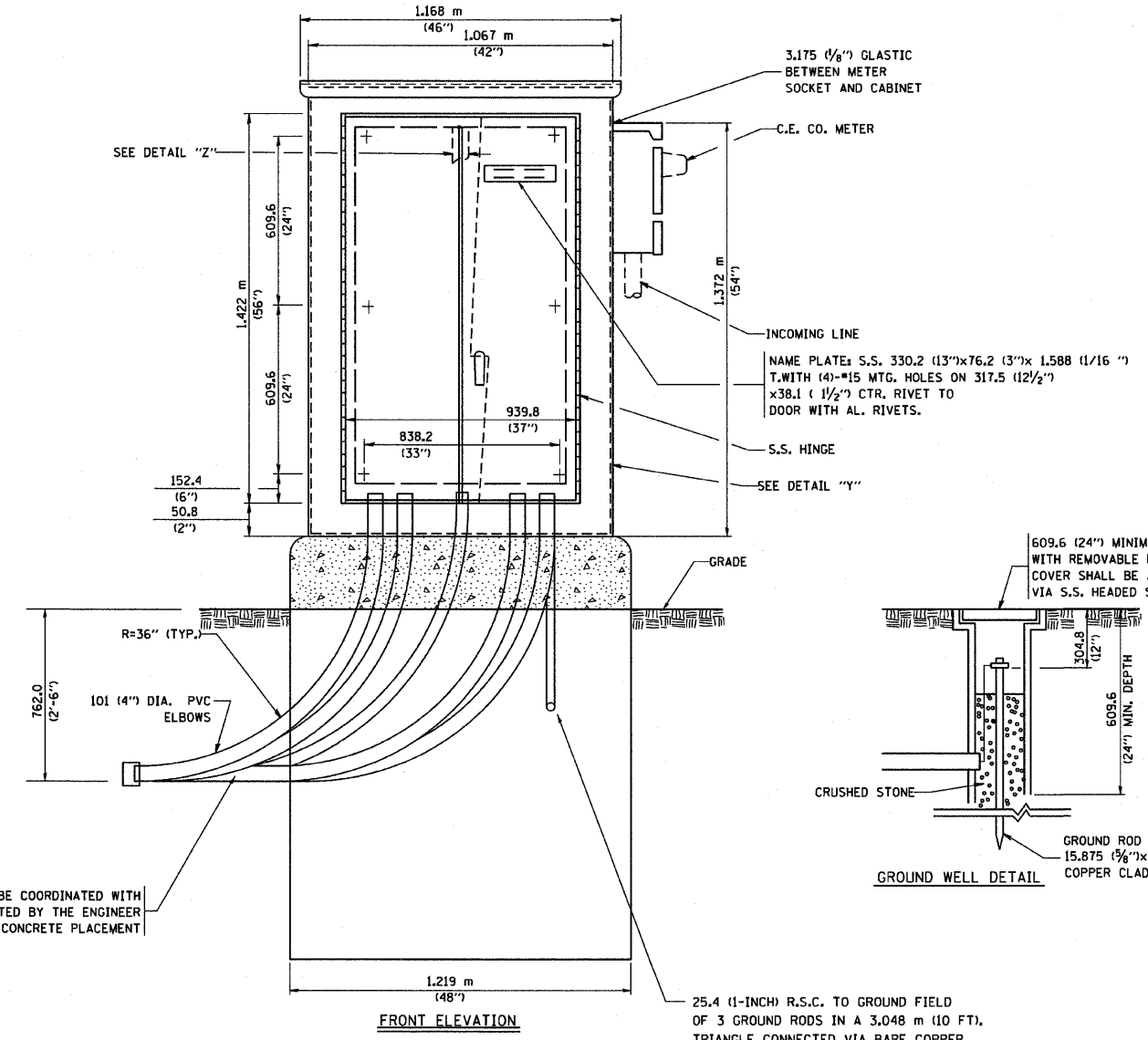
SECTION "A-A"



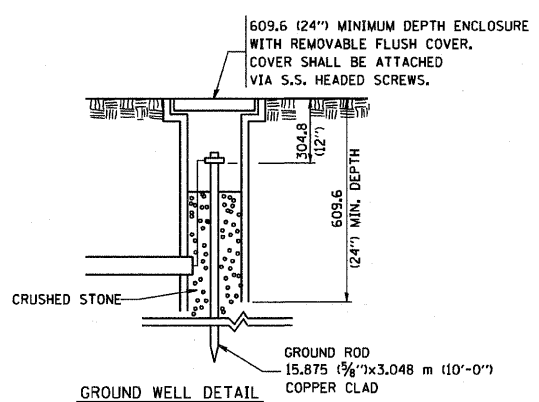
DETAIL "Z"



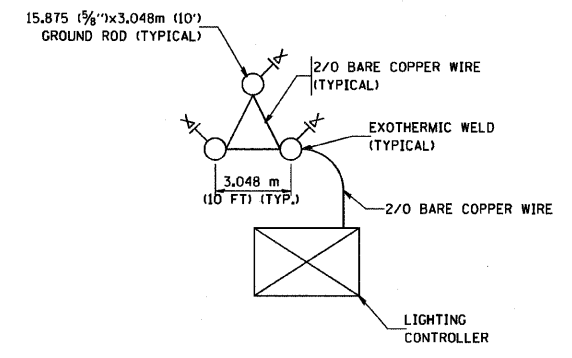
LEFT SIDE ELEVATION



FRONT ELEVATION



GROUND WELL DETAIL



GROUND FIELD DETAIL (N.T.S.)

THE CONTRACTOR SHALL VERIFY EXACT LOCATION WITH THE ENGINEER

ORIENTATION OF RACEWAYS SHALL BE COORDINATED WITH CIRCUIT DIRECTIONS AND BE INSPECTED BY THE ENGINEER PRIOR TO CONCRETE PLACEMENT

25.4 (1-INCH) R.S.C. TO GROUND FIELD OF 3 GROUND RODS IN A 3.048 m (10 FT.) TRIANGLE CONNECTED VIA BARE COPPER WIRE. VERIFY EXACT LOCATION OF GROUND FIELD WITH THE ENGINEER. NO GROUND WELL SHALL BE PLACED IN CONCRETE PAD IN FRONT OF CONTROLLER.

REVISIONS	
NAME	DATE

ILLINOIS DEPARTMENT OF TRANSPORTATION
**LIGHTING CONTROLLER,
 DUPLEX TYPE
 SHT 3 OF 4**

SCALE: VERT. DRAWN BY C.A.D.
 HORIZ. CHECKED BY
 DATE: 4/26/2006 E-200 (BE-200)

PLOT DATE = 4/26/2006
 FILE NAME = c:\projects\states\be200.dgn
 USER = 50088867 / JN.
 USER NAME = jng@statest