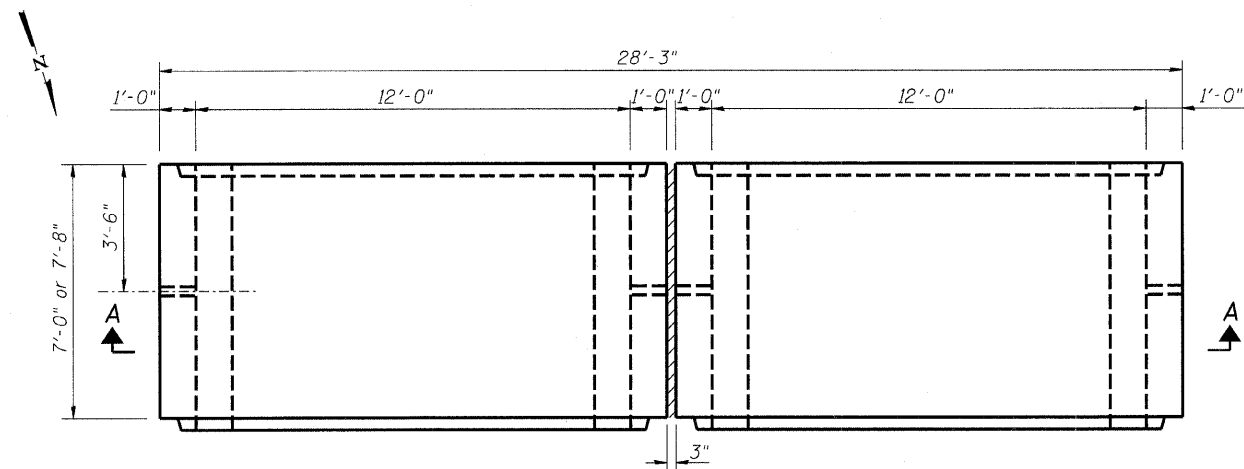
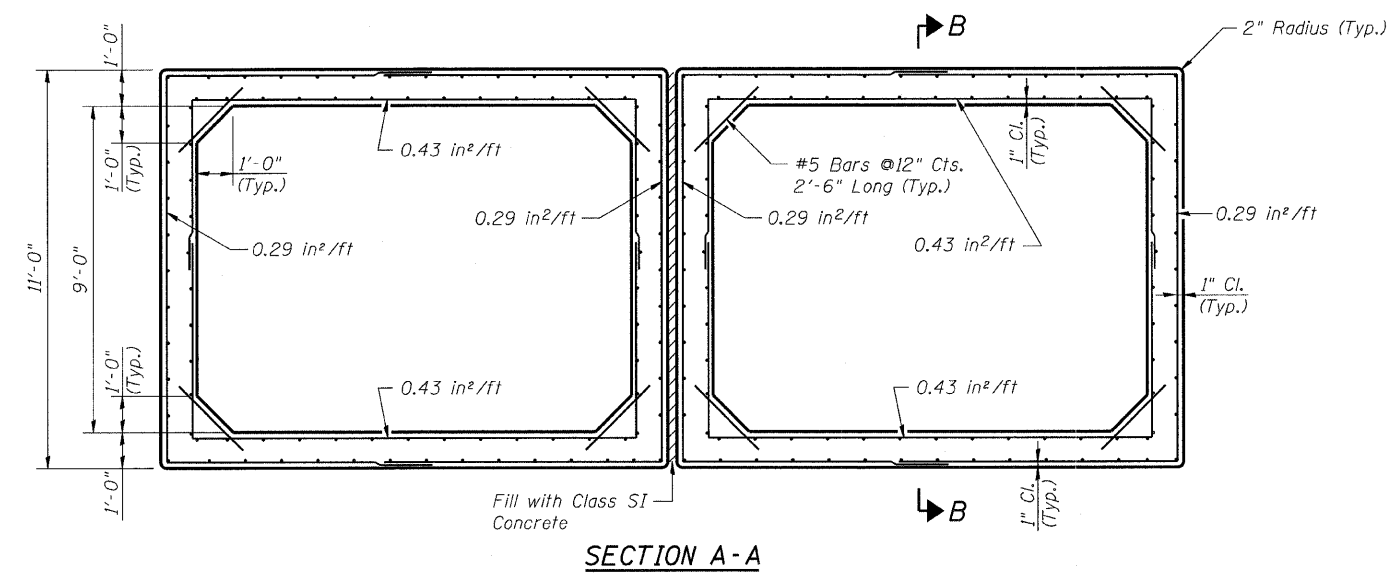


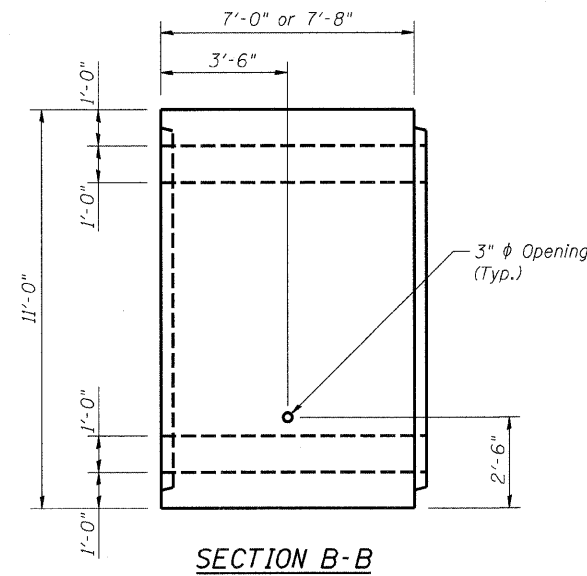
STATE OF ILLINOIS
DEPARTMENT OF TRANSPORTATION



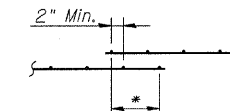
TYPICAL SEGMENT PLAN VIEW



SECTION A-A



SECTION B-B



TYPICAL FABRIC LAP

* Lap length varies with Contractor selected welded wire reinforcement, and to be approved by the Engineer.

NOTES:
For Box Culvert Layout see sheet S3 of S9.

BILL OF MATERIAL

ITEM	UNIT	TOTAL
Precast Concrete Box Culvert 12' X 9'	Foot	142.7

TYPICAL BOX CULVERT DETAILS

COLLINS ENGINEERS DESIGNED: LDB DATE: 11/25/08	CHECKED: JMH DRAWN: DR	SHEET NO. S4 OF S9 SHEETS	F.A.U RTE. 1321	SECTION 31T-2	COUNTY DuPAGE	TOTAL SHEETS 59	SHEET NO. 36
		SN: 022-2005		CONTRACT NO. 60A90		FED. ROAD DIST. NO. - ILLINOIS FED. AID PROJECT	