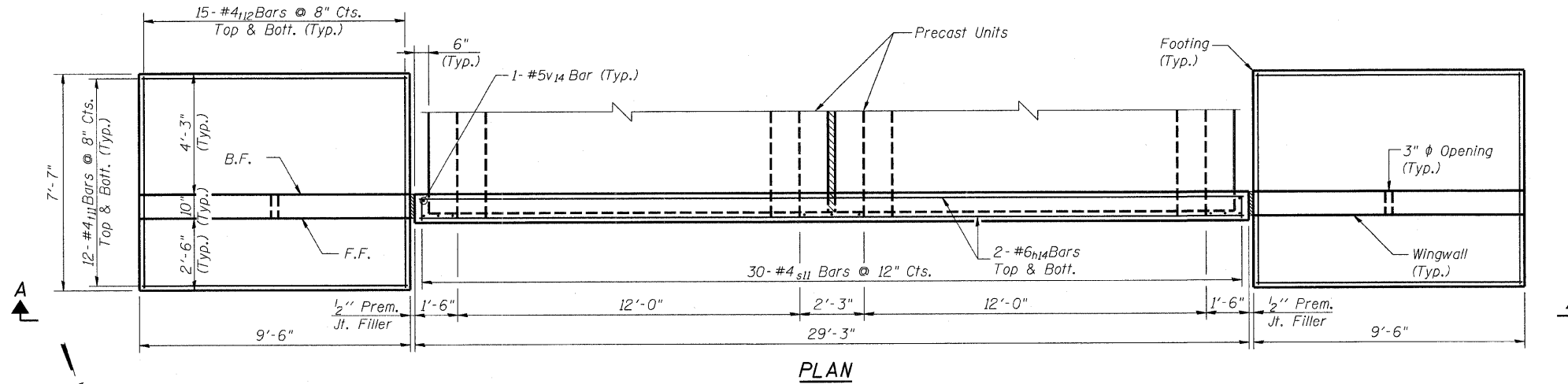
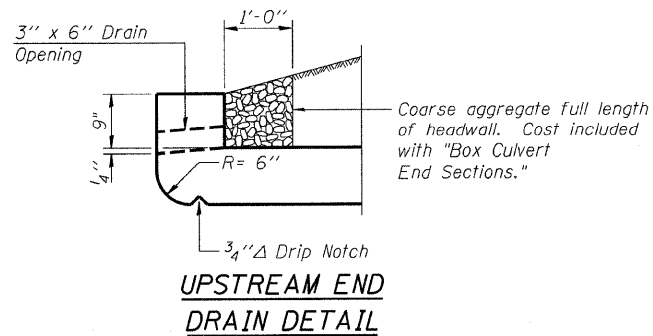
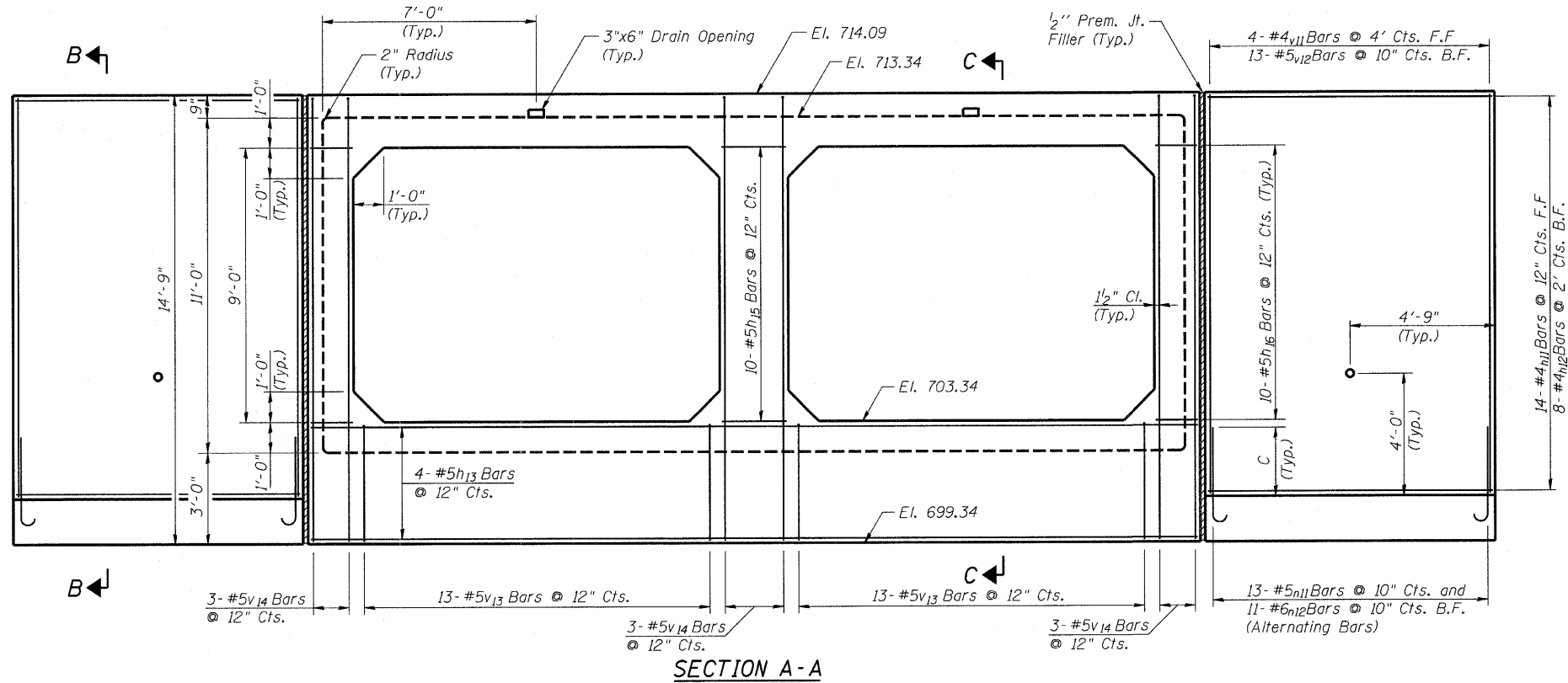


STATE OF ILLINOIS  
DEPARTMENT OF TRANSPORTATION



**Note:**  
For Box Culverts Layout see sheet S3 of S9.  
Wingwall Reinforcement is symmetrical.



**Legend:**  
B.F. = Back Face  
F.F. = Front Face

**MINIMUM BAR LAPS**

#4 Bar = 1'-8"  
#5 Bar = 2'-2"  
#6 Bar = 2'-7"

**NORTH BOX CULVERT  
END SECTION DETAILS I**

<b>COLLINS ENGINEERS</b> DESIGNED: LDB    CHECKED: JMH DATE: 11/25/08    DRAWN: DR		SHEET NO. S5 OF S9 SHEETS	F.A.U RTE. 1321	SECTION 31T-2	COUNTY DuPAGE	TOTAL SHEETS 59	SHEET NO. 37
		SN: 022-2005		CONTRACT NO. 60A90			
		FED. ROAD DIST. NO. - ILLINOIS FED. AID PROJECT					