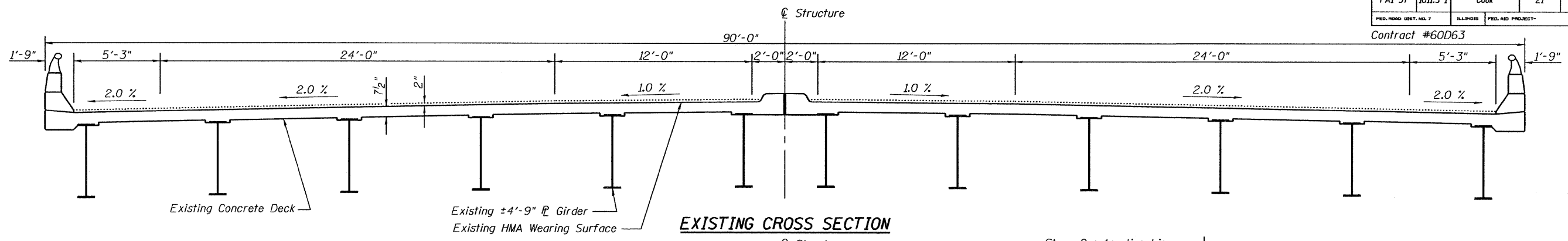


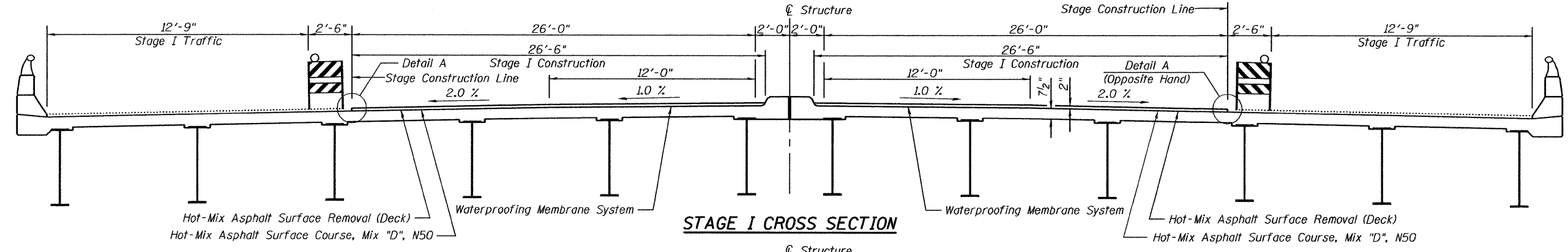
ROUTE NO.	SECTION	COUNTY	TOTAL SHEETS	SHEET NO.
FAI 57	1011.3 I	Cook	21	10
FED. ROAD DIST. NO. 7	ILLINOIS	FED. AID PROJECT-		

SHEET NO. 2
8 SHEETS

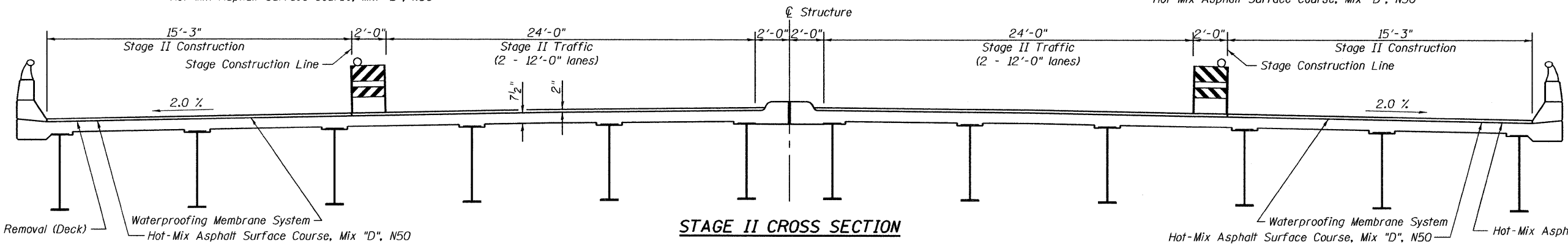
Contract #60D63



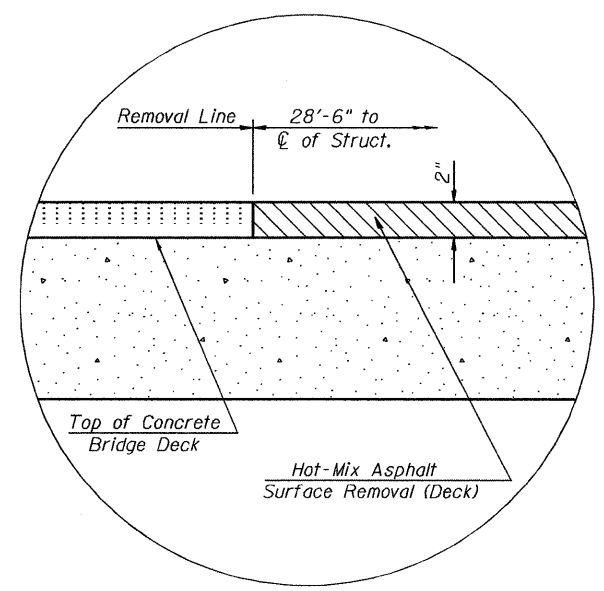
EXISTING CROSS SECTION



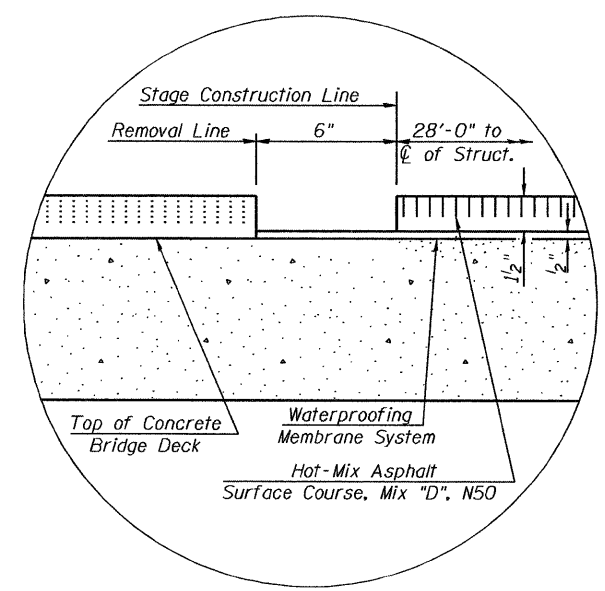
STAGE I CROSS SECTION



STAGE II CROSS SECTION



DETAIL A
(Showing Removal)



DETAIL A
(Showing Proposed)

rjngroup
Excellence through Ownership
200 West Front Street
Wheaton, IL 60187

ILLINOIS DEPARTMENT OF TRANSPORTATION
TYPICAL CROSS SECTIONS
WITH STAGING
167th STREET OVER I-57
FAI RTE 57 SECTION 1011.3 I
COOK COUNTY
STATION 28+71.53
STRUCTURE NO. 016-2125
DATE: 11-06-2007
DRAWN BY WJV
CHECKED BY BLB

1/27/2009 14:11:25:50 \\structures\167th over I-57\016.dgn