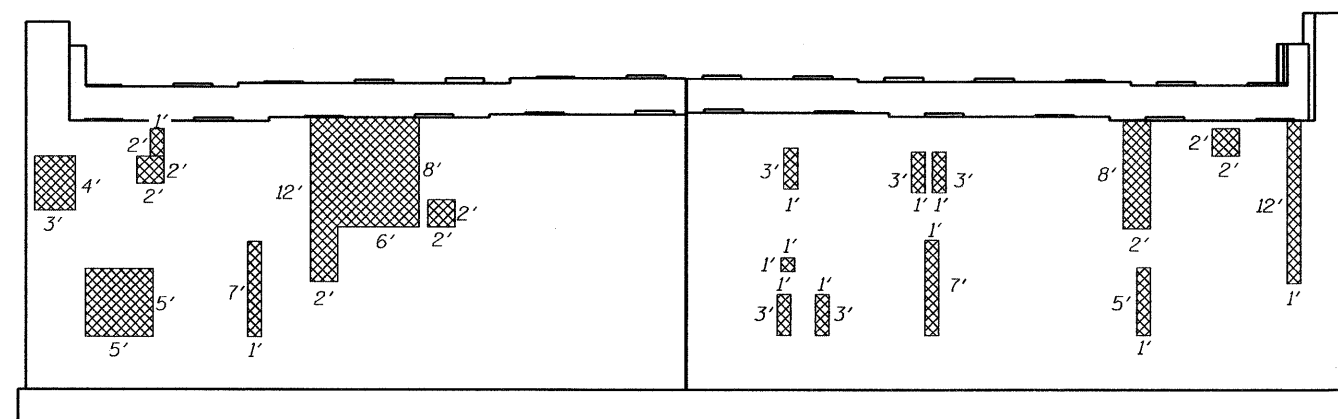


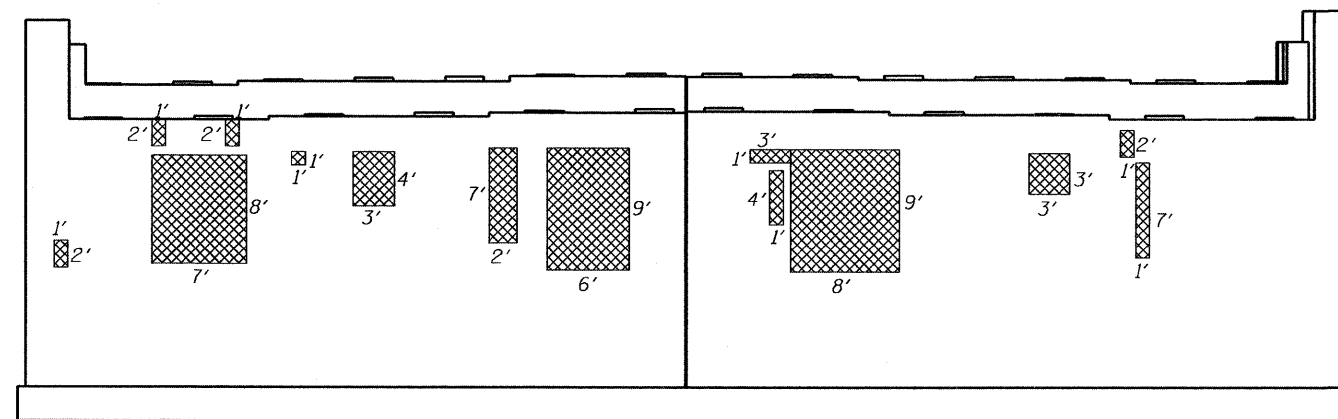
ROUTE NO.	SECTION	COUNTY	SHEET NO.	SHEET NO.
FAI 57	1011.3 I	Cook	21	16
FED. ROAD DIST. NO. 7		ILLINOIS	FED. AID PROJECT	

SHEET NO. 8
8 SHEETS

Contract #60D63



WEST ABUTMENT



EAST ABUTMENT

NOTES

Interference is expected from existing conduits. The Contractor shall remove and reerect or temporarily support the existing conduits to complete the work as detailed. When the work is completed the conduits shall be reconnected to the reconstructed abutment utilizing the existing mounting brackets or new mounting brackets. All labor, equipment, and materials necessary for removing and reinstalling or temporarily supporting the existing conduits shall be included in the cost for Structural Repair of Concrete (Depth equal to or less than 5").

BILL OF MATERIAL

Item	Unit	Quantity
Structural Repair of Concrete (Depth equal to or less than 5")	Sq. Ft.	426

☒ Structural Repair of Concrete (Depth equal to or less than 5")

<p>Excellence through Ownership</p> <p>200 West Front Street Wheaton, IL 60187</p>	<p>ILLINOIS DEPARTMENT OF TRANSPORTATION</p> <p>ABUTMENT REPAIRS 167th STREET OVER I-57 FAI RTE 57 SECTION 1011.3 I COOK COUNTY STATION 28+71.53 STRUCTURE NO. 016-2125</p>
	<p>DATE: 11-06-2007</p> <p>DRAWN BY JMT CHECKED BY WJV</p>

1/27/2009 14:11:25:00 \\structures\167th over I-57\Repairs.rxdgn