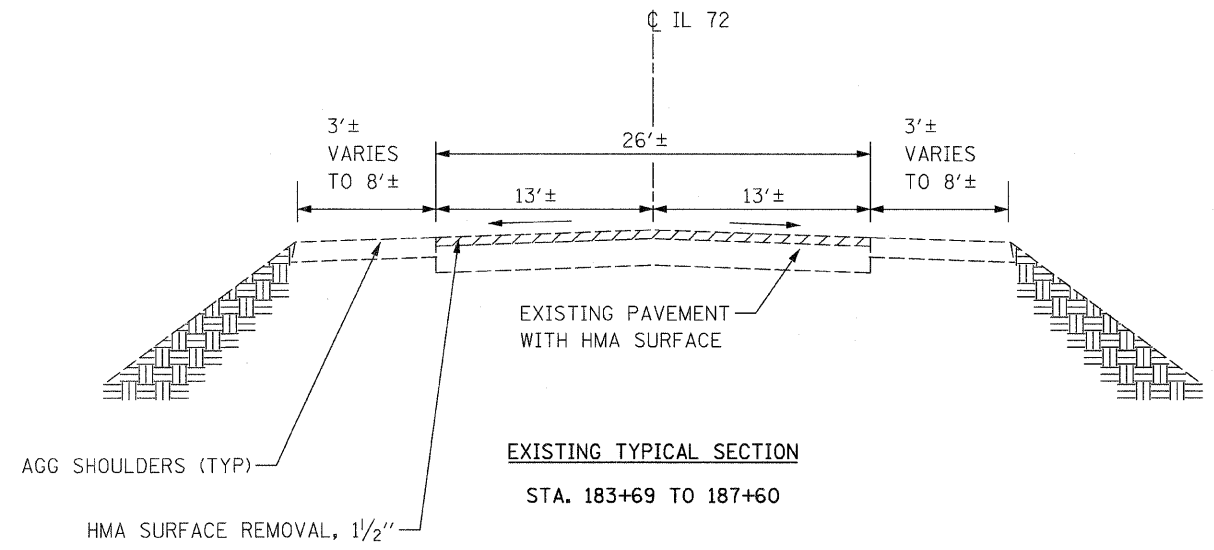


HOT-MIX ASPHALT MIXTURE REQUIREMENTS		
MIXTURE TYPE	AC TYPE	AIR VOIDS
PAVEMENT RESURFACING		
HOT-MIX ASPHALT SURFACE COURSE, MIX "D", N70 (IL 9.5 mm), 1 1/2"	PG 64-22	4% @ 70 Gyr.

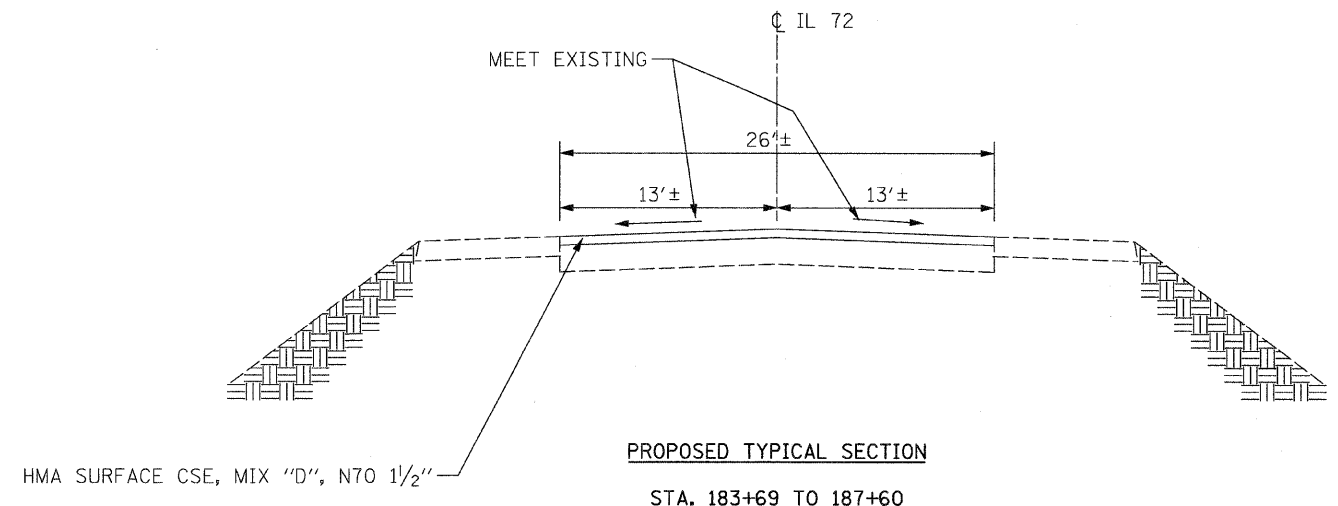
THE UNIT WEIGHT USED TO CALCULATE HMA MIXTURE QUANTITIES IS 112 LBS/SQ YD/IN.
 * WHEN RAP EXCEEDS 20%, THE NEW ASPHALT BINDER IN THE MIX SHALL BE PG 58-22.

NOTES:

- EXISTING PAVEMENT TO BE OVERLAID WILL BE CLEANED AND PRIMED PER ARTICLE 407.06 OF THE 2007 STANDARD SPECIFICATIONS.



BRIDGE OMISSION:
 STA. 184+27.70 TO STA. 187+00.01



BRIDGE OMISSION:
 STA. 184+27.70 TO STA. 187+00.01

FILE NAME = 60D72 typ.dgn
 PLOT DATE = 1/15/2009



CHRISTIAN-ROGE & ASSOCIATES, INC.
 ENGINEERS-PLANNERS-SURVEYORS
 211 WEST WACKER DRIVE
 CHICAGO, ILLINOIS 60606
 PHONE: (312)372-2023 FAX: (312)372-5274

DESIGNED - S.J.P.	REVISED -
DRAWN - A.Y.	REVISED -
CHECKED - E.J.M.	REVISED -
DATE - JANUARY 15, 2009	REVISED -

STATE OF ILLINOIS
 DEPARTMENT OF TRANSPORTATION

TYPICAL SECTIONS & DETAILS
 IL 72

SCALE: NONE SHEET NO. 1 OF 1 SHEETS STA. 179+00 TO STA. 194+00

F.A.P. RTE.	SECTION	COUNTY	TOTAL SHEETS	SHEET NO.
341	N-4-C-1	KANE	32	4
CONTRACT NO. 60D72				
FED. ROAD DIST. NO. 1 ILLINOIS FED. AID PROJECT				