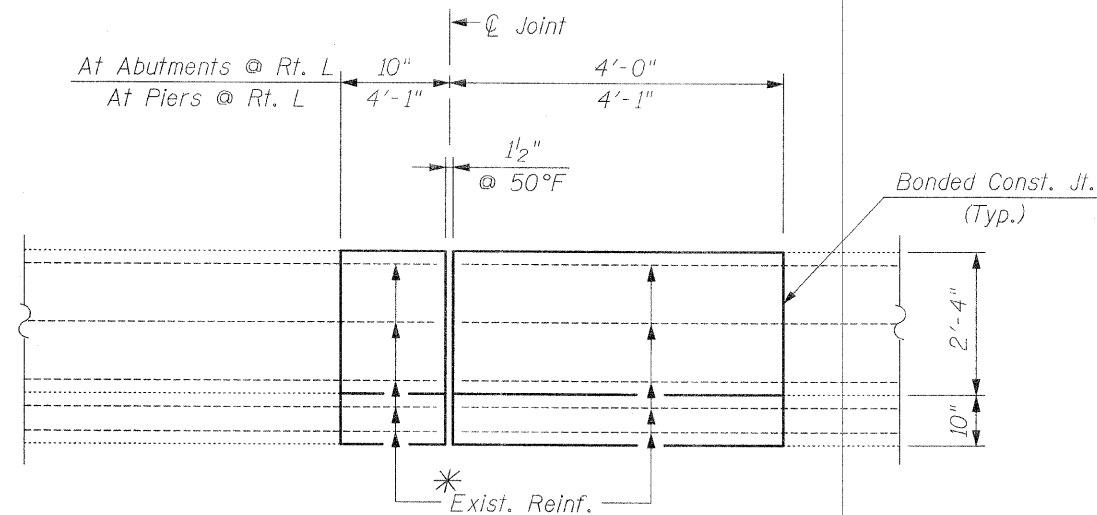


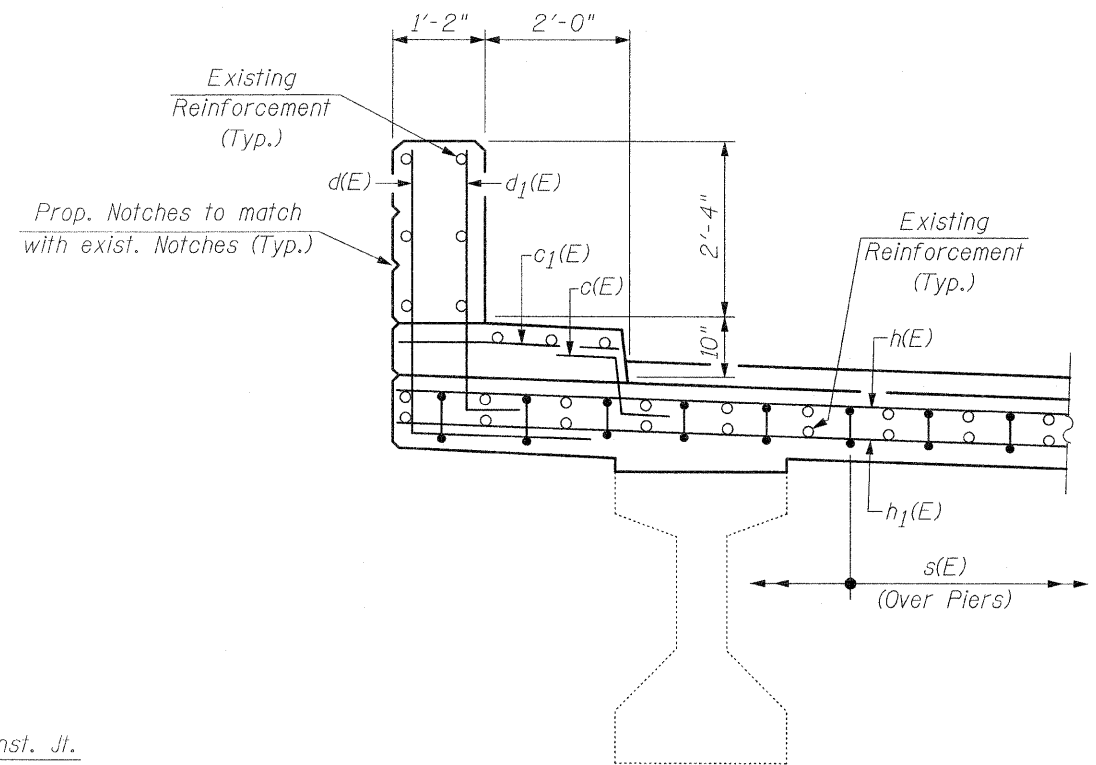
PARAPET & SIDEWALK CONCRETE REMOVAL

EXISTING



PARAPET & SIDEWALK CONCRETE REPLACEMENT

PROPOSED



SECTION C-C

EAST PARAPET-SHOWN
WEST PARAPET-SIMILAR

NOTE:
Work This Sheet With Sht's. S4 & S5

* Existing Reinforcement Bars extending into the Removal Area shall be cleaned, straightened and incorporated into the New Construction. Any Reinforcement Bars that are damaged during Concrete Removal shall be replaced with an approved Bar Splicer or Anchorage System. Cost included with Concrete Removal.

FILE NAME = exp_jt_reconst-III.sht	USER NAME = IDOT	DESIGNED - B.N.S.	REVISED -
		DRAWN - R.E.S./D.L./F.M.	REVISED -
		CHECKED - B.N.S./J.C.N.	REVISED -
		DATE - JANUARY 15, 2009	REVISED -

STATE OF ILLINOIS
DEPARTMENT OF TRANSPORTATION

EXPANSION JOINT RECONSTRUCTION - III
IL. 72 OVER I-90
S.N. 045-0074

SCALE: SHEET NO. S6 OF S8 SHEETS STA. TO STA.



CHRISTIAN-ROGE & ASSOCIATES, INC.
ENGINEERS / PLANNERS / SURVEYORS
211 W. WACKER DRIVE CHICAGO, IL. 60606
PHONE: (312)372-2023 FAX: (312)372-5274

F.A.P. RTE. 341	SECTION N-4-C-I	COUNTY KANE	TOTAL SHEETS 32	SHEET NO. 18
CONTRACT NO. 60D72			ILLINOIS FED. AID PROJECT	