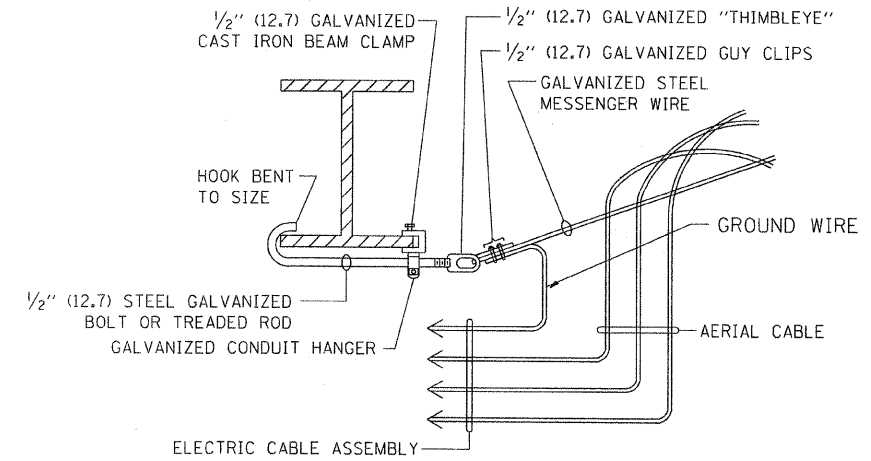


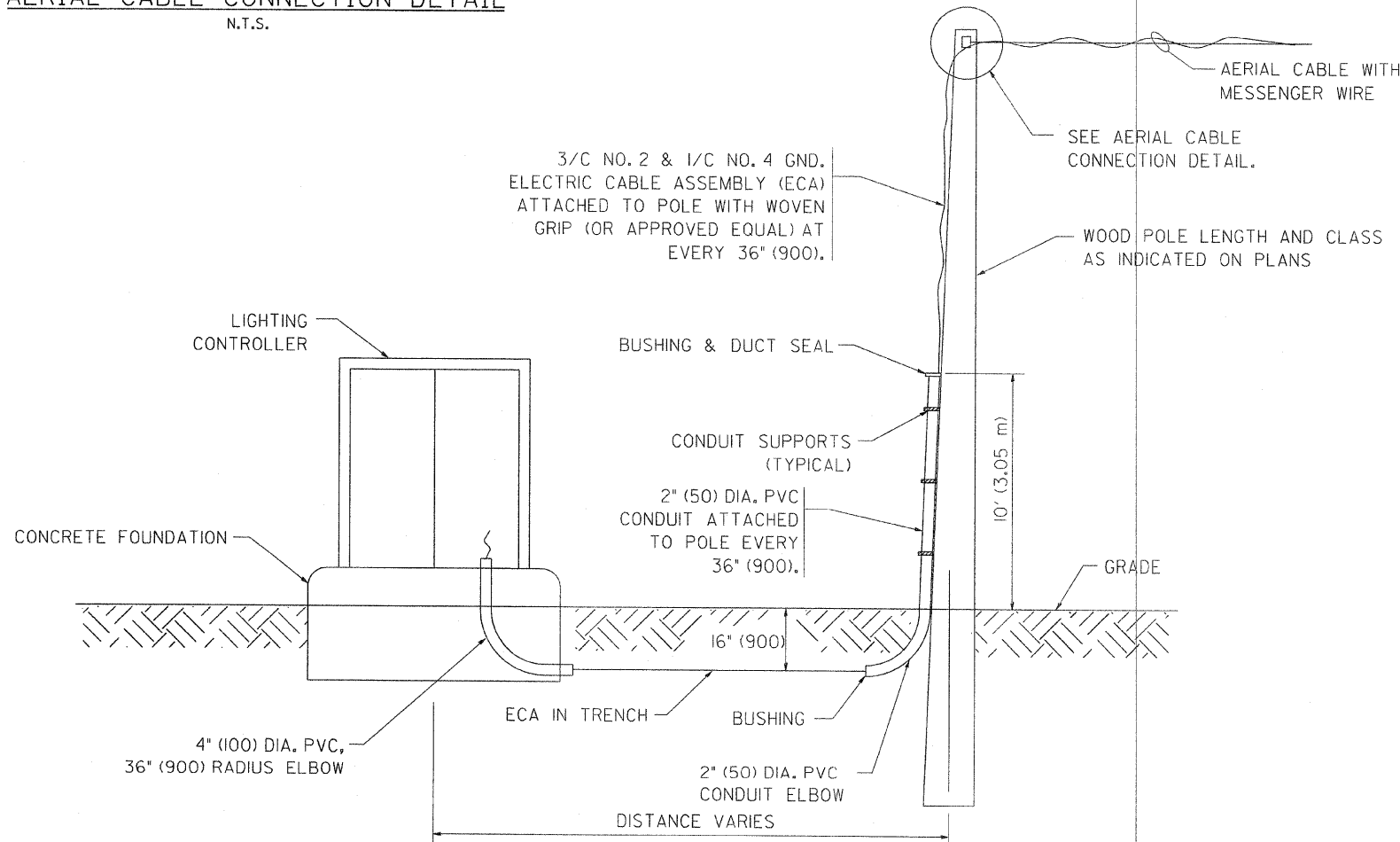
AERIAL CABLE CONNECTION DETAIL
N.T.S.



AERIAL CABLE ATTACHED TO STRUCTURE
NOT TO SCALE

NOTES:

1. ALL DIMENSIONS IN INCHES (MILLIMETERS) UNLESS OTHERWISE INDICATED.
2. SEE PROPOSED LIGHTING PLAN FOR CONDUIT, CABLE AND ROUTING.
3. THE CONTRACTOR SHALL PROVIDE INTERMEDIATE SUPPORTS TO MAINTAIN MINIMUM CLEARANCES. REFER TO AERIAL AERIAL CABLE ATTACHED TO STRUCTURE DETAIL.
4. COST OF SPLICES AND MOUNTING HARDWARE SHALL BE INCLUDED IN THE UNIT PRICE FOR AERIAL CABLE.



WOOD POLE TO LIGHTING CONTROLLER WIRING CONNECTION DETAIL
N.T.S.

FILE NAME = W:\dststd\22x34\be801.dgn	USER NAME = gaglianob	DESIGNED - DRAWN -	REVISED - REVISED -	08-08-03	STATE OF ILLINOIS DEPARTMENT OF TRANSPORTATION	TEMPORARY AERIAL CABLE INSTALLATION			F.A.P. RATE: 341	SECTION N-4-C-1	COUNTY KANE	TOTAL SHEETS 32	SHEET NO. 24	
PLOT SCALE = 50,000' / IN.	CHECKED -	REVISIED -				SCALE: NONE			SHEET NO. 1 OF 1 SHEETS			STA. 179+00	TO STA. 194+00	
PLOT DATE = 1/4/2008	DATE -	REVISIED -				CONTRACT NO. 60D72			FED. ROAD DIST. NO. 1 ILLINOIS FED. AID PROJECT					