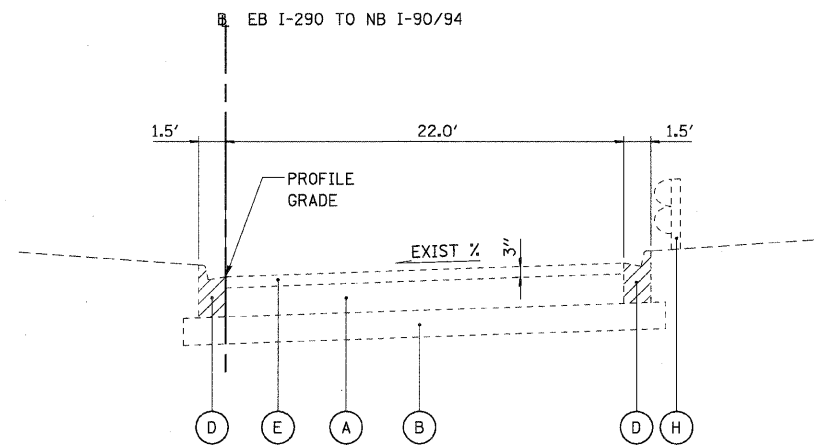
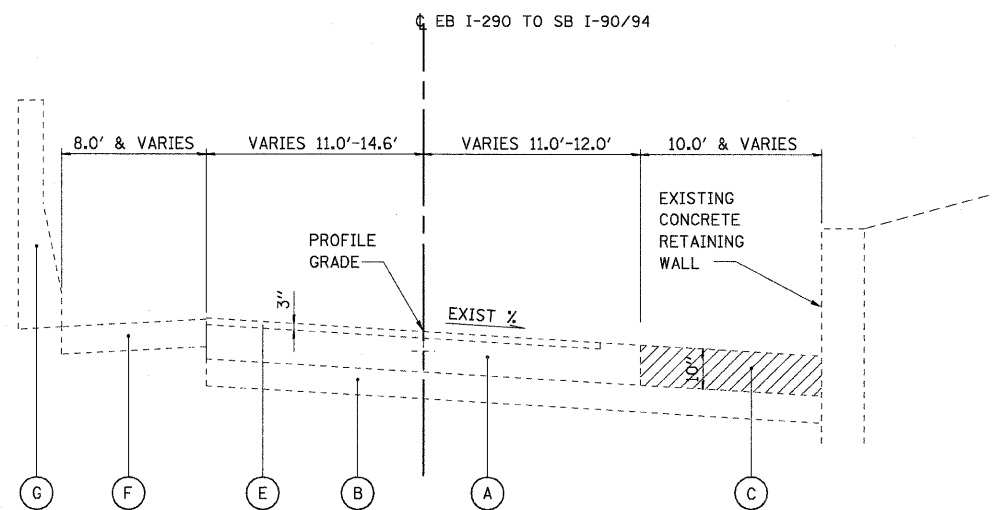


EXISTING SECTION
I-290 TO I90/I94 SOUTHBOUND RAMP - STA 23+00.81 TO 24+77.39



EXISTING SECTION
I-290 TO I90/I94 NORTHBOUND RAMP - STA 51+00 TO STA 51+20



EXISTING SECTION
I-290 TO I90/I94 SOUTHBOUND RAMP - STA 24+77.39 TO 25+67.92

EXISTING LEGEND:

- (A) EXISTING P.C.C. PAVEMENT, VARIES 10"-13"
- (B) EXISTING SUB-BASE GRANULAR MAT'L 6" OR STABILIZED SUB-BASE 4"
- (C) EXISTING HMA SHOULDERS
- (D) EXISTING COMB CONC CURB AND GUTTER TYPE M-2.12
- (E) EXISTING HMA OVERLAY (3")
- (F) EXISTING P.C.C. SHOULDER
- (G) EXISTING CONCRETE BARRIER
- (H) EXISTING STEEL PLATE BEAM GUARD RAIL TO BE REMOVED (SEE PLANS FOR LIMITS)

ITEM TO BE REMOVED

FILE NAME =	USER NAME = 3690	DESIGNED - AAC	REVISED -
S:\11-CADD\01-est\06_D162093-SHT-TYPICAL.dgn		DRAWN - ED	REVISED -
PLOT SCALE = 5/1		CHECKED - AAC	REVISED -
PLOT DATE = Thursday, December 11, 2008		DATE - 12/12/2008	REVISED -

**STATE OF ILLINOIS
DEPARTMENT OF TRANSPORTATION**

TYPICAL SECTIONS

SCALE: NONE SHEET NO. 2 OF 4 SHEETS STA. 10+00.00 TO STA. 25+67.92

F.A.I. RTE.	SECTION	COUNTY	TOTAL SHEETS	SHEET NO.
290	2007-057 T	COOK	60	6
FED. ROAD DIST. NO. ILLINOIS FED. AID PROJECT			CONTRACT NO. 60D93	