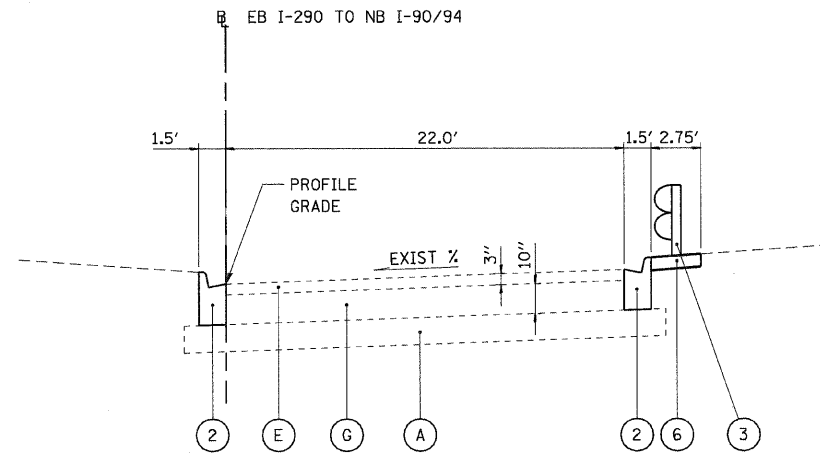


PROPOSED SECTION

I-290 TO I90/I94 SOUTHBOUND RAMP - STA 23+00.81 TO 24+70



PROPOSED SECTION

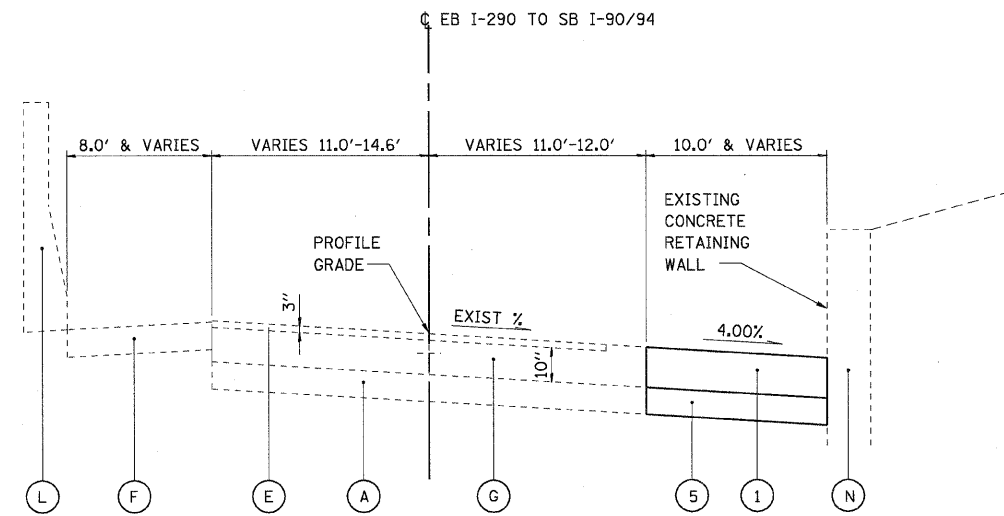
I-290 TO I90/I94 NORTHBOUND RAMP - STA 51+00 TO STA 51+20

EXISTING LEGEND:

- (A) EXISTING SUB-BASE GRANULAR MAT'L 6" OR STABILIZED SUB-BASE 4"
- (B) EXISTING HMA SHOULDERS
- (C) EXISTING PIPE UNDERDRAIN
- (D) EXISTING COMB CONC CURB AND GUTTER TYPE M-2.12
- (E) EXISTING HMA SURFACING
- (F) EXISTING P.C.C. SHOULDER
- (G) EXISTING P.C.C. BASE COURSE
- (H) EXISTING PGE WRAPPED IN FABRIC (VARIOUS LOCATIONS)
- (I) EXISTING HMA CONC SURFACE CSE, MIX D, CL I, TYPE 2 (1-3/4")
- (J) EXISTING HMA CONC SURFACE CSE, MIX E, CL I, TYPE 1 (1-3/4")
- (K) EXISTING HMA CONC SURFACE CSE, MIX B, TYPE 1 (2-1/4")
- (L) EXISTING CONCRETE BARRIER
- (M) EXISTING STEEL PLATE BEAM GUARD RAIL TO BE REMOVED
- (N) EXISTING RETAINING WALL

PROPOSED LEGEND:

- (1) PROPOSED HMA SHOULDER, 10"
- (2) PROPOSED COMB CONC CURB AND REM & REPLACE
- (3) PROPOSED STEEL PLATE BEAM GUARD RAIL, TYPE A
- (4) PROPOSED CONCRETE RETAINING WALL (SEE RETAINING WALL PLAN FOR TYPICAL SECTION)
- (5) PROPOSED SUB-BASE GRANULAR MATERIAL, TY B, 6" & VARIES
- (6) HMA SHOULDER, 6"
- (7) TYPE B GUTTER



PROPOSED SECTION

I-290 TO I90/I94 SOUTHBOUND RAMP - STA 24+70 TO 25+67.92

FILE NAME =	USER NAME = 3698	DESIGNED - AAC	REVISED -	STATE OF ILLINOIS DEPARTMENT OF TRANSPORTATION	TYPICAL SECTIONS			F.A.I. RTE.	SECTION	COUNTY	TOTAL SHEETS	SHEET NO.
5:\11-CADD\01-sh\08_D168D93-SHT-TYPICAL.dgn		DRAWN - ED	REVISED -		SCALE: NONE	SHEET NO. 4 OF 4 SHEETS	STA. 10+00.00 TO STA. 25+67.92	290	2007-057 T	COOK	60	8
PLOT SCALE = 5:1		CHECKED - AAC	REVISED -					CONTRACT NO. 60D93				
PLOT DATE = Thursday, December 11, 2008		DATE - 12/12/2008	REVISED -		FED. ROAD DIST. NO. ILLINOIS FED. AID PROJECT							