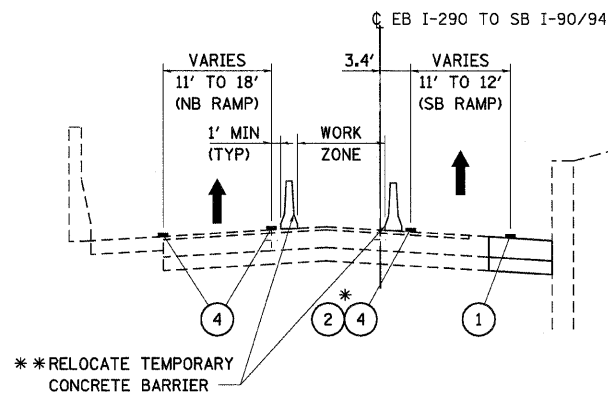


PROPOSED MOT STAGE 3 - EB I-290 MAINLINE AND RAMP TO I-90/94

STA 4+40 TO STA 18+45
LOOKING EASTBOUND

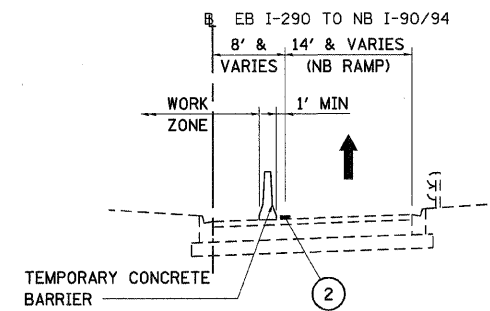
- * PREFORMED PLASTIC PAVEMENT MARKING - LINE 5" (WHITE, 10' DASH - 30' SKIP) STA 4+40 TO STA 14+69
- * THERMOPLASTIC PAVEMENT MARKING, WHITE LINE, 8 INCH STA 14+69 TO STA 18+45
- ** PROPOSED FROM STA 17+62 TO STA 18+45
- *** PREFORMED PLASTIC PAVEMENT MARKING - LINE 5" (WHITE, 10' DASH - 30' SKIP) STA 4+40 TO STA 14+69
- *** THERMOPLASTIC PAVEMENT MARKING, WHITE LINE, 8 INCH STA 17+62 TO END



PROPOSED MOT STAGE 3 - EB I-290 RAMP TO I-90/94

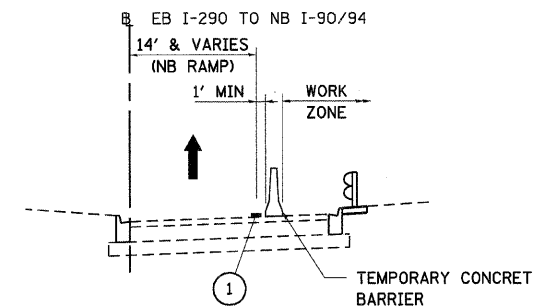
STA 18+45 TO STA 24+78
LOOKING SOUTHBOUND

- * PAVEMENT MARKING TAPE, TY III, 8" FROM STA 18+45 TO STA 22+06 AND PAVEMENT MARKING TAPE, TY III, 4" FROM STA 22+06 TO STA 24+78
- ** RELOCATE TEMPORARY CONC BARRIER STA 20+87 TO STA 22+06 AND TYPE II BARRICADE FROM STA 22+06 TO STA 24+78



PROPOSED MOT STAGE 1 - EB I-290 RAMP TO NB I-90/94

STA 50+10 TO STA 52+16
LOOKING NORTHBOUND



PROPOSED MOT STAGE 2 - EB I-290 RAMP TO NB I-90/94

STA 50+10 TO STA 52+16
LOOKING NORTHBOUND

MOT PAVEMENT MARKING LEGEND:

- ① PAVEMENT MARKING TAPE, TYPE III 4" (WHITE)
- ② PAVEMENT MARKING TAPE, TYPE III 4" (YELLOW)
- ③ PAVEMENT MARKING TAPE, TYPE III 5" (WHITE, 10' DASH - 30' SKIP)
- ④ PAVEMENT MARKING TAPE, TYPE III 8" (WHITE)
- ⑤ PAVEMENT MARKING TAPE, TYPE III 12" (WHITE)

LEGEND:

- EXISTING PAVEMENT MARKING
- - - TEMPORARY PAVEMENT MARKING OR PAVEMENT MARKING TAPE, TYPE III
- 🚚 PLASTIC DRUMS @ 50' C-C WITH STEADY BURN LIGHTS 100' C-C ON TANGENTS 50' C-C ON TAPERS AND LANE SHIFTS 25' C-C ON RAMP GORES
- ➔ TRAFFIC DIRECTION
- 🚧 TEMPORARY CONCRETE BARRIER

FILE NAME =	USER NAME = 3690	DESIGNED - DG	REVISED -
S:\11-CADD\01-sh\15.D168093-SHT-STAGING-TYPICAL02.dgn		DRAWN - ED	REVISED -
PLOT SCALE = 5:1		CHECKED - AAC	REVISED -
PLOT DATE = Thursday, December 11, 2008		DATE - 12/12/2008	REVISED -

STATE OF ILLINOIS
DEPARTMENT OF TRANSPORTATION

SUGGESTED MAINTENANCE OF TRAFFIC
TYPICAL SECTIONS - SHEET 2 OF 2

SCALE: NONE SHEET NO. 2 OF 9 SHEETS STA. 10+00.00 TO STA. 25+67.92

F.A.I. RTE.	SECTION	COUNTY	TOTAL SHEETS	SHEET NO.
290	2007-057 T	COOK	60	15
FED. ROAD DIST. NO. ILLINOIS FED. AID PROJECT			CONTRACT NO. 60D93	