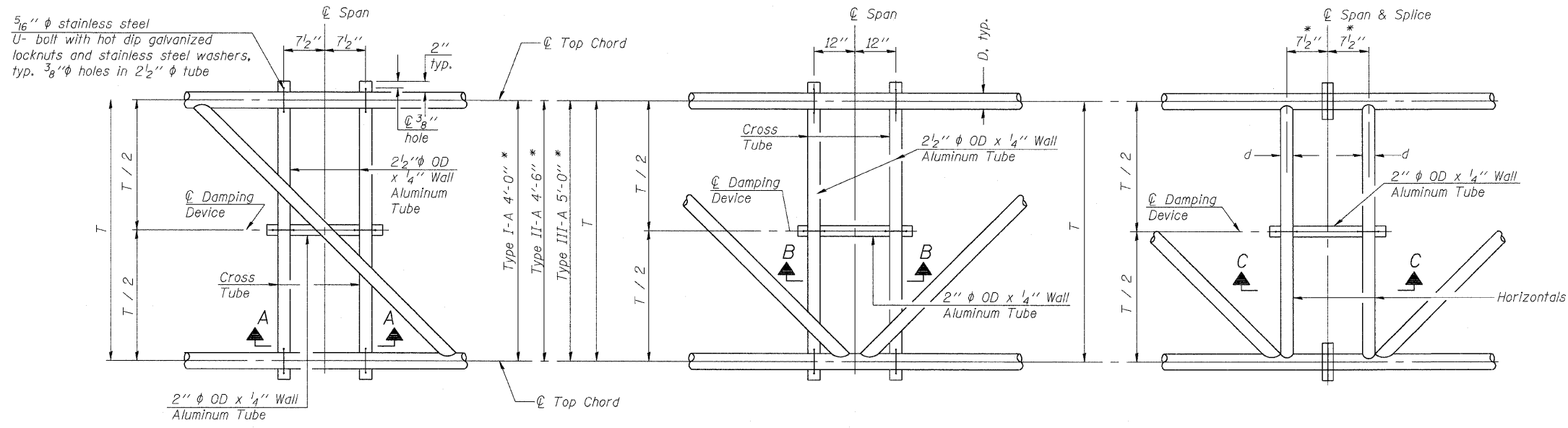


STATE OF ILLINOIS
DEPARTMENT OF TRANSPORTATION

* Center of horizontal to center of splice dimension may vary. Verify before drilling holes in mounting tube.

ROUTE NO.	SECTION	COUNTY	POST MILES	SHEET NO.	SHEET NO. 6 13 SHEETS
290	2007-057 T	COOK	60	33	
FED. ROAD DIST. NO. 7	ILLINOIS	FED. AID PROJECT-			

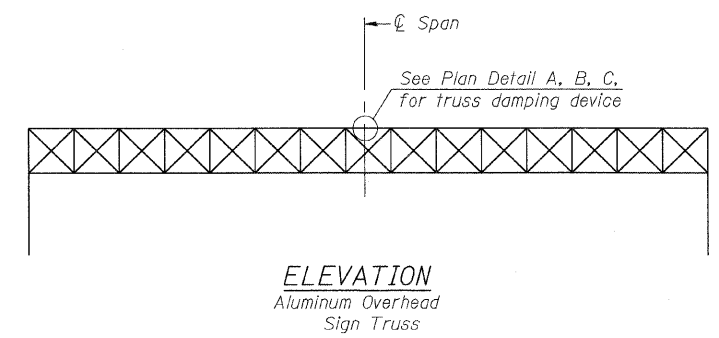
Contract #60D93



PLAN DETAIL "A"
Span between Panel Points

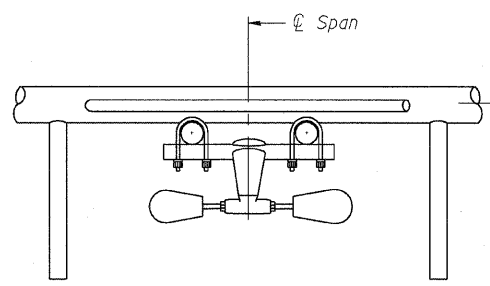
PLAN DETAIL "B"
Span at Panel Point

PLAN DETAIL "C"
Span at Chord Splice

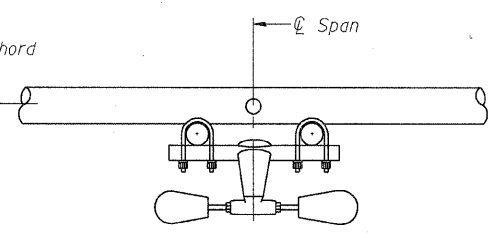


ELEVATION
Aluminum Overhead Sign Truss

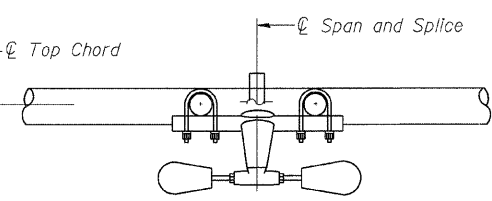
NOTES
Damper: One damper per truss.
(31 lbs. Stockbridge-Type Aluminum)
Cost included in Overhead Sign Structure...
Materials: Aluminum tubes shall be ASTM B221 alloy 6061 temper T6. Cost included in Overhead Sign Structure...



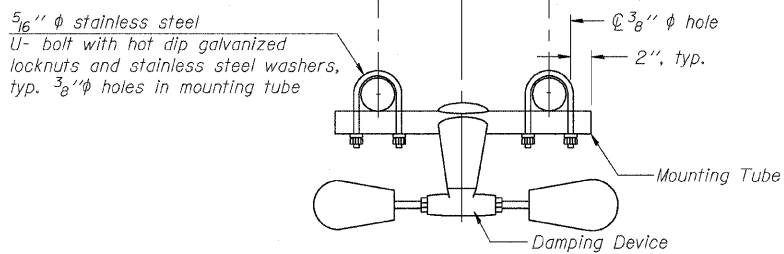
SECTION A-A



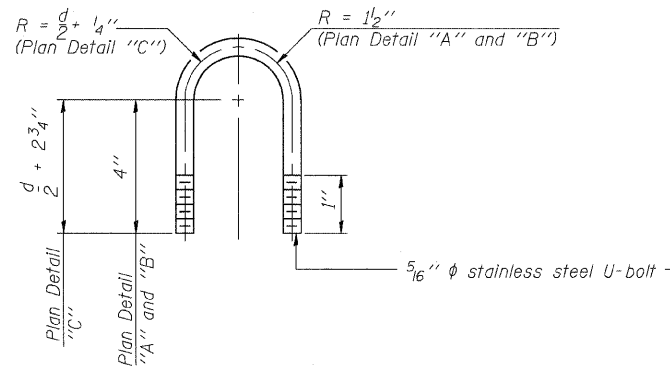
SECTION B-B



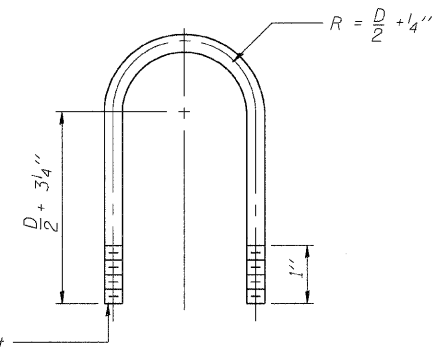
SECTION C-C



TRUSS DAMPING DEVICE CONNECTION DETAIL
(Typical)



DAMPING DEVICE MOUNTING TUBE U-BOLT DETAIL
(Typical)



TOP CHORD TO CROSS TUBE U-BOLT DETAIL
(Typical - Detail "A" and "B")

DESIGNED - DSE	200
CHECKED - PT	EXAMINED
DRAWN - RTT	PASSED
CHECKED - PT	ENGINEER OF BRIDGE DESIGN
DATE - SEPT 24, 2008	ENGINEER OF BRIDGES AND STRUCTURES

OS-A-D 5/16/08



OVERHEAD SIGN STRUCTURE
DAMPING DEVICE

CIRCLE INTERCHANGE SIGN STRUCTURE
I-94/I-290
FROM I-290 EB RAMP
TO DES PLAINES AVE
F.A.I. 94/290-SECT. (2007-057T)
COOK COUNTY