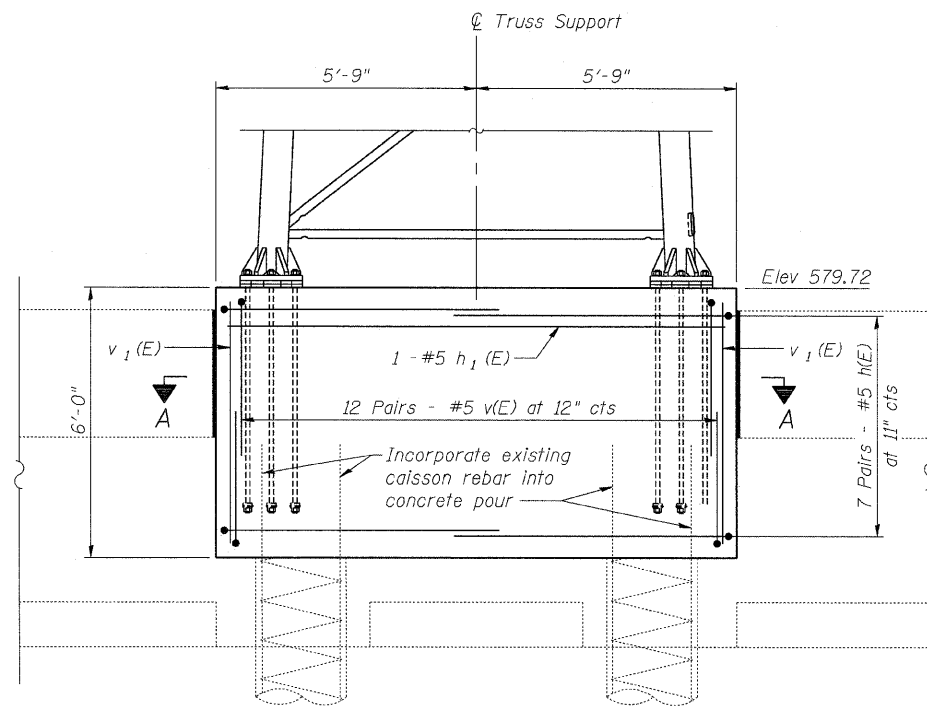


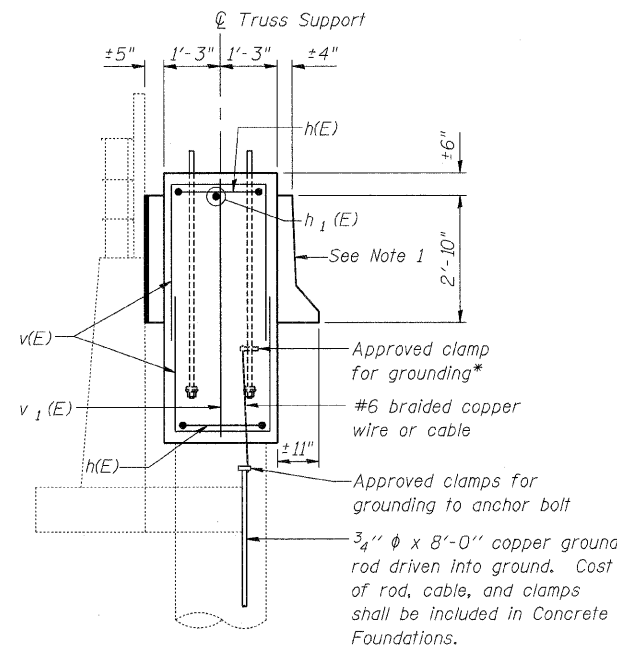
STATE OF ILLINOIS  
DEPARTMENT OF TRANSPORTATION

ROUTE NO.	SECTION	COUNTY	TOTAL SHEETS	SHEET NO.	SHEET NO. 11
290	2007-057 T	COOK	60	38	13 SHEETS
FED. ROAD DIST. NO. 7	ILLINOIS	FED. AID PROJECT-			

Contract #60D93



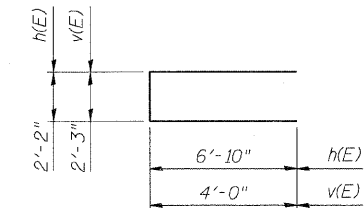
SIDE ELEVATION



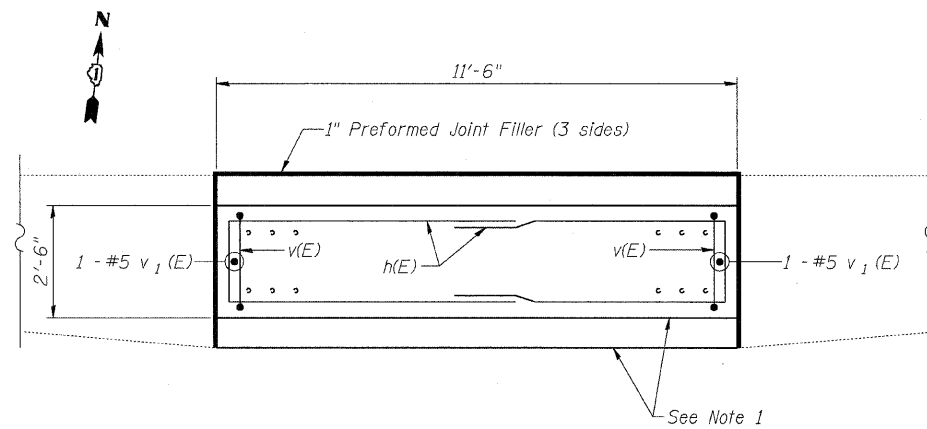
END ELEVATION

BAR LIST

Bar	Number	Size	Length	Shape
h(E)	14	#5	15'-10"	□
h <sub>1</sub> (E)	1	#5	11'-3"	□
v(E)	24	#5	10'-4"	□
v <sub>1</sub> (E)	2	#5	5'-9"	□



BARS h(E) & v(E)



SECTION A-A

DETAILS FOR 12" φ SUPPORT FRAME

NOTES:

- Match shape of existing barrier at both ends of replaced barrier.
  - For anchor rod size and placement see Support Frame Detail Sheet 8 of 13.
- \* Anchor rod shall be ground or filed to bright metal at clamp and cable connection location.
- \*\* A normal surface finish followed by a Bridge Seat Sealer application will be required on concrete surfaces above the lowest elevation 6" below finished ground line. Cost included in Concrete Foundations.

**Stanley Consultants INC.**  
8501 West Higgins Road, Suite 730, Chicago, Illinois 60631-2801  
www.stanleyconsultants.com  
Illinois Firm Registration No.: 1184-001533

OVERHEAD SIGN STRUCTURES  
LEFT TOWER SUPPORT MODIFICATION

CIRCLE INTERCHANGE SIGN STRUCTURE  
I-94/I-290  
FROM I-290 EB RAMP  
TO DES PLAINES AVE  
F.A.I. 94/290-SECT. (2007-057T)  
COOK COUNTY

DESIGNED - DSE	200
CHECKED - PT	EXAMINED
DRAWN - RTT	PASSED
CHECKED - PT	ENGINEER OF BRIDGE DESIGN
DATE - SEPT 24, 2008	ENGINEER OF BRIDGES AND STRUCTURES

NUMBER	REVISION	DATE