

STATE OF ILLINOIS
DEPARTMENT OF TRANSPORTATION

ROUTE NO.	SECTION	COUNTY	JOBS SHEETS	SHEET	SHEET NO.
290	2007-057 T	COOK	60	44	4 SHEETS
FED. ROAD DIST. NO. 7		ILLINOIS	FED. AID PROJECT-		

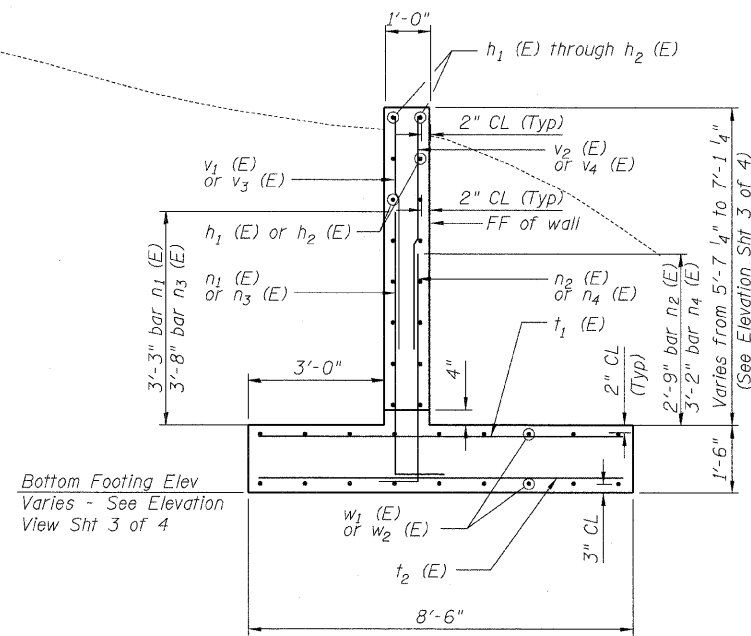
Contract #60D93

BILL OF MATERIAL

Bar	No.	Size	Length (ft)	Shape
h1 (E)	32	#4	16'-8"	
h2 (E)	60	#4	31'-10"	
h3 (E)	8	#4	3'-4"	
n1 (E)	78	#5	5'-3"	┘
n2 (E)	78	#4	4'-7"	┘
n3 (E)	78	#5	5'-8"	┘
n4 (E)	78	#4	5'-2"	┘
t1 (E)	156	#4	8'-2"	
t2 (E)	158	#5	8'-2"	
v1 (E)	78	#5	5'-11"	
v2 (E)	78	#4	5'-11"	
v3 (E)	78	#5	4'-11"	
v4 (E)	78	#4	4'-11"	
w1 (E)	36	#4	32'-2"	
w2 (E)	36	#4	30'-9"	
w3 (E)	9	#5	6'-5"	┘
w4 (E)	9	#5	4'-9"	┘
w5 (E)	18	#4	18'-8"	
w6 (E)	18	#4	19'-5"	
Structure Excavation		Cu Yd	573	
Concrete Structures		Cu Yd	110.5	
Reinforcing Steel, Epoxy Coated		Pound	8,760	

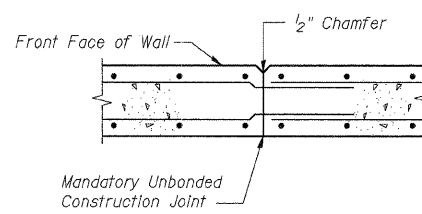
ABBREVIATION LIST

FF Front Face

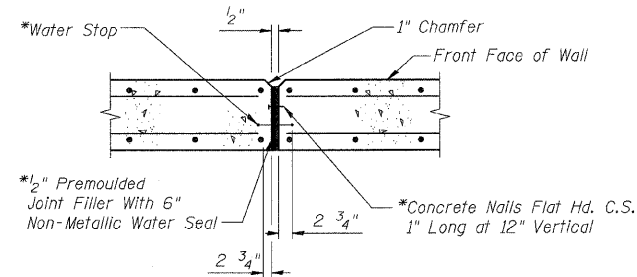


SECTION A-A

Bottom Footing Elev
Varies - See Elevation
View Sht 3 of 4



CONSTRUCTION JOINT DETAIL

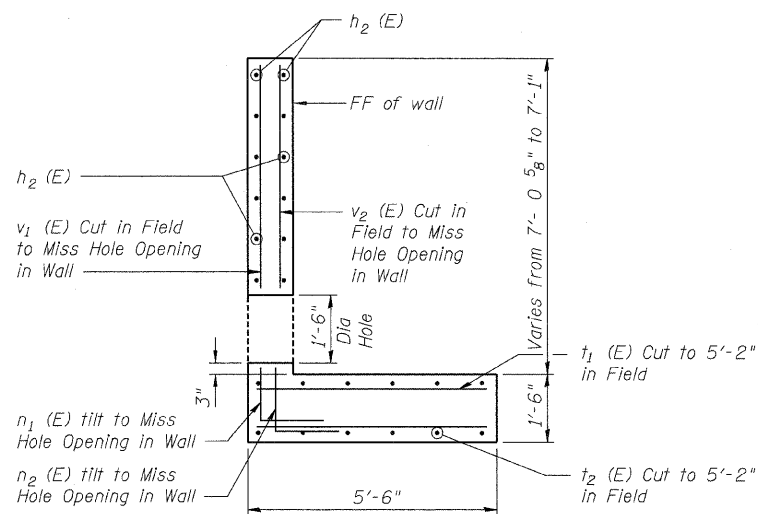


EXPANSION JOINT DETAIL

(Stem of Wall Only, Not In Footing)

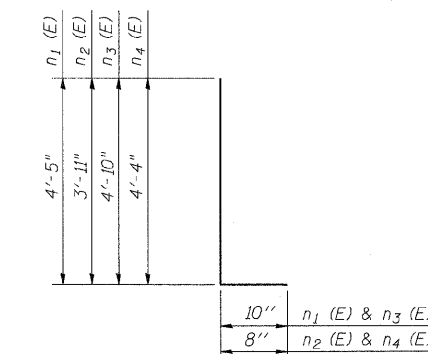
* Cost Included With
Concrete Structures

RETAINING WALL JOINT DETAILS

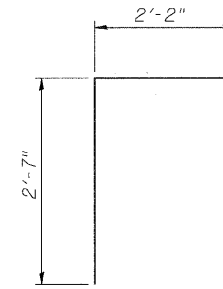


SECTION C-C

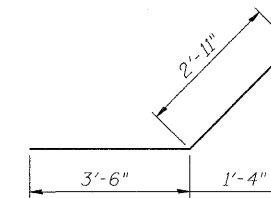
(Taken at CL of Pipe Sta 23+83)



BARS n1 (E) Through n4 (E)



BARS w4 (E)



BARS w3 (E)

DESIGNED	NDR
CHECKED	DSE
DRAWN	TWK
CHECKED	NDR

Stanley Consultants INC.
8501 West Higgins Road, Suite 730, Chicago, Illinois 60631-2801
www.stanleyconsultants.com
Illinois Firm Registration No.: 1184-001533

WALL DETAIL & BAR SCHEDULE
CIRCLE INTERCHANGE RETAINING WALL
I-94/I-290
FROM I-290 EB RAMP
TO DES PLAINES AVE
F.A.I. 94/290-SECT. (2007-057T)
COOK COUNTY