

**SUGGESTED STAGING AND MAINTENANCE OF TRAFFIC**

U.S. 30 OVER WEST BRANCH BIG ROCK CREEK  
 U.S. 30 OVER EAST BRANCH BIG ROCK CREEK

**CONSTRUCTION STAGING**

**STAGE I (EASTBOUND LANE CONSTRUCTION)**

- HYDROSCARIFY DECK ON EASTBOUND HALF OF BRIDGE AND PLACE BRIDGE DECK LATEX CONCRETE OVERLAY.
- OVERLAY APPROACH PAVEMENT

**STAGE II (WESTBOUND LANE CONSTRUCTION)**

- HYDROSCARIFY DECK ON WESTBOUND HALF OF BRIDGE AND PLACE BRIDGE DECK LATEX CONCRETE OVERLAY.
- OVERLAY APPROACH PAVEMENT AND PLACE PAVEMENT MARKINGS.

**MAINTENANCE OF TRAFFIC**

**STAGE I**

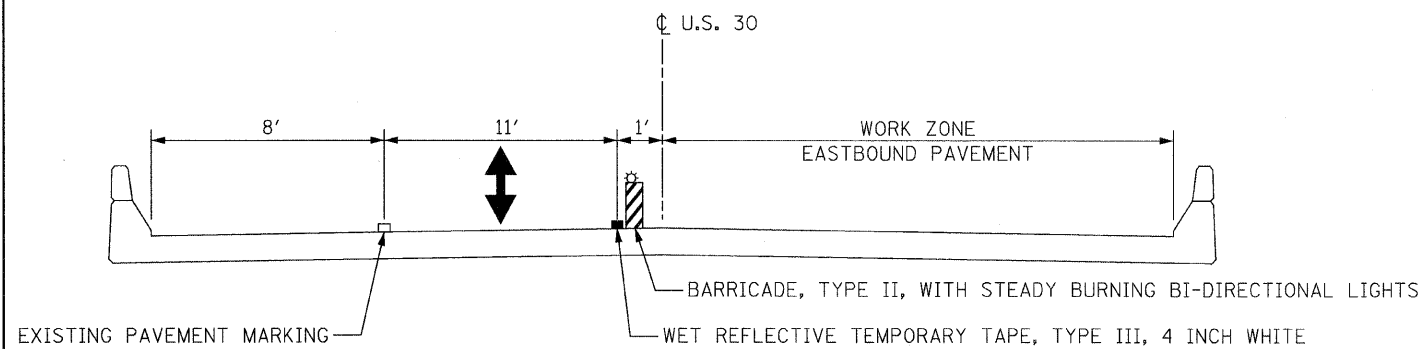
- INSTALL TEMPORARY BRIDGE TRAFFIC SIGNALS AND TEMPORARY LIGHTING. USE DAILY LANE CLOSURES, SEE IDOT STANDARD 701201 - LANE CLOSURE, 2L, 2W, DAY ONLY, FOR SPEEDS > 45 MPH.
- CLOSE EASTBOUND LANE AND MAINTAIN ONE-LANE TWO-WAY TRAFFIC ON WESTBOUND PAVEMENT ACROSS BRIDGE AS SHOWN ON THE SUGGESTED MAINTENANCE OF TRAFFIC AND STAGING PLAN AND IDOT STANDARD 701316.

**STAGE II**

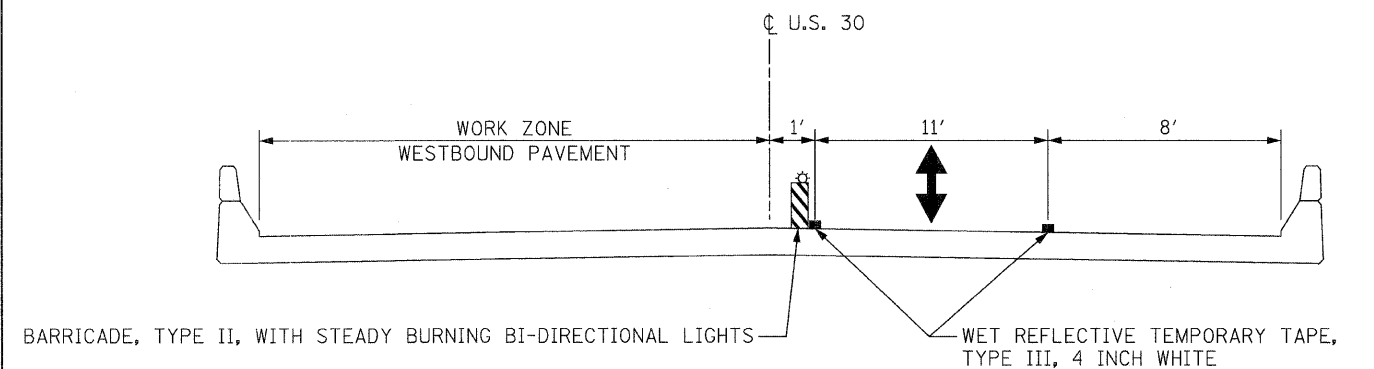
- SHIFT ONE-LANE TWO-WAY TRAFFIC TO EASTBOUND PAVEMENT ACROSS BRIDGE AS SHOWN ON THE SUGGESTED MAINTENANCE OF TRAFFIC AND STAGING PLAN AND IDOT STANDARD 701316.
- REMOVE TEMPORARY BRIDGE TRAFFIC SIGNALS AND USE DAILY LANE CLOSURES TO RESURFACE THE PAVEMENT ADJACENT TO THE BRIDGE. SEE IDOT STANDARD 701201 - LANE CLOSURE, 2L, 2W, DAY ONLY, FOR SPEEDS > 45 MPH.

**TRAFFIC CONTROL GENERAL NOTES**

1. THE CONTRACTOR SHALL NOT MOUNT SIGNS ON EXISTING SIGNS.
2. CONTRACTOR SHALL MAINTAIN SATISFACTORY INGRESS AND EGRESS TO ADJACENT PROPERTIES THROUGHOUT THE CONSTRUCTION.
3. INSTALL TEMPORARY SIGN PANEL ASSEMBLY AS SHOWN IN PLANS AND AS DIRECTED BY THE ENGINEER. TO BE PAID FOR BY ITEM "TEMPORARY INFORMATION SIGNING FOR LANE CLOSURE".
4. ALL TEMPORARY PAVEMENT MARKING SHALL BE WET REFLECTIVE TEMPORARY TAPE, TYPE III.
5. USE SUGGESTED TRAFFIC CONTROL AND STAGING PLAN IN CONJUNCTION WITH STANDARD 701316.
6. TEMPORARY RUMBLE STRIPS SHALL BE INSTALLED FOR THE APPROACHES AT EACH BRIDGE AS SHOWN ON STANDARD 701316.



**DECK CROSS SECTION - STAGE I**  
 U.S. 30 OVER WEST BRANCH BIG ROCK CREEK  
 U.S. 30 OVER EAST BRANCH BIG ROCK CREEK



**DECK CROSS SECTION - STAGE II**  
 U.S. 30 OVER WEST BRANCH BIG ROCK CREEK  
 U.S. 30 OVER EAST BRANCH BIG ROCK CREEK

FILE NAME = D160E63-sht-staging.dgn  
 PLOT DATE = 1/26/2009

**CHRISTIAN-ROGE & ASSOCIATES, INC.**  
 ENGINEERS-PLANNERS-SURVEYORS  
 211 WEST WACKER DRIVE  
 CHICAGO, ILLINOIS 60606  
 PHONE: (312)372-2023 FAX: (312)372-5274

DESIGNED - S.J.P.  
 DRAWN - A.C.S.  
 CHECKED - E.J.M.  
 DATE - JANUARY 28, 2009

REVISED -  
 REVISED -  
 REVISED -  
 REVISED -

**STATE OF ILLINOIS**  
**DEPARTMENT OF TRANSPORTATION**

**SUGGESTED MAINTENANCE OF TRAFFIC NOTES AND DETAILS**  
**U.S. 30**

SCALE: NONE SHEET NO. 1 OF 3 SHEETS STA. VARIOUS TO STA. VARIOUS

F.A.P. RTE.	SECTION	COUNTY	TOTAL SHEETS	SHEET NO.
573	117 R-2B-R	KANE	40	7
<b>CONTRACT NO. 60E63</b>				
FED. ROAD DIST. NO. 1 ILLINOIS FED. AID PROJECT				