

GENERAL NOTES:

Plan Dimensions and Details Relative to Existing Plans are Subject to Nominal Construction Variations. The Contractor Shall Field Verify Existing Dimensions and Details Affecting new Construction and Make Necessary Approved Adjustments Prior to Construction or Ordering of Materials. Such Variations Shall not be Cause for Additional Compensation for a Change in Scope of the work, However, the Contractor will be Paid for the Quantity Actually Furnished at the Unit Price Bid for the Work.

These Plans Have Been Prepared From Notes Received From I.D.O.T. Field Maintenance Engineers.

Areas of Deck Repairs Shown are Estimated. The Engineer Shall Show Actual Locations of Deck Repairs on As-Built Plans.

Joint Openings Shall be Adjusted According to Article 520.04 of the Standard Specifications when the Deck is Poured at an Ambient Temperature Other Than 50°F.

The Contractor Shall use Extreme Care During Concrete Removal so as not to Damage the PPC I-Beams. Any Damage Done to the PPC I-Beams is to be Repaired by the Contractor at the Contractor's Expense.

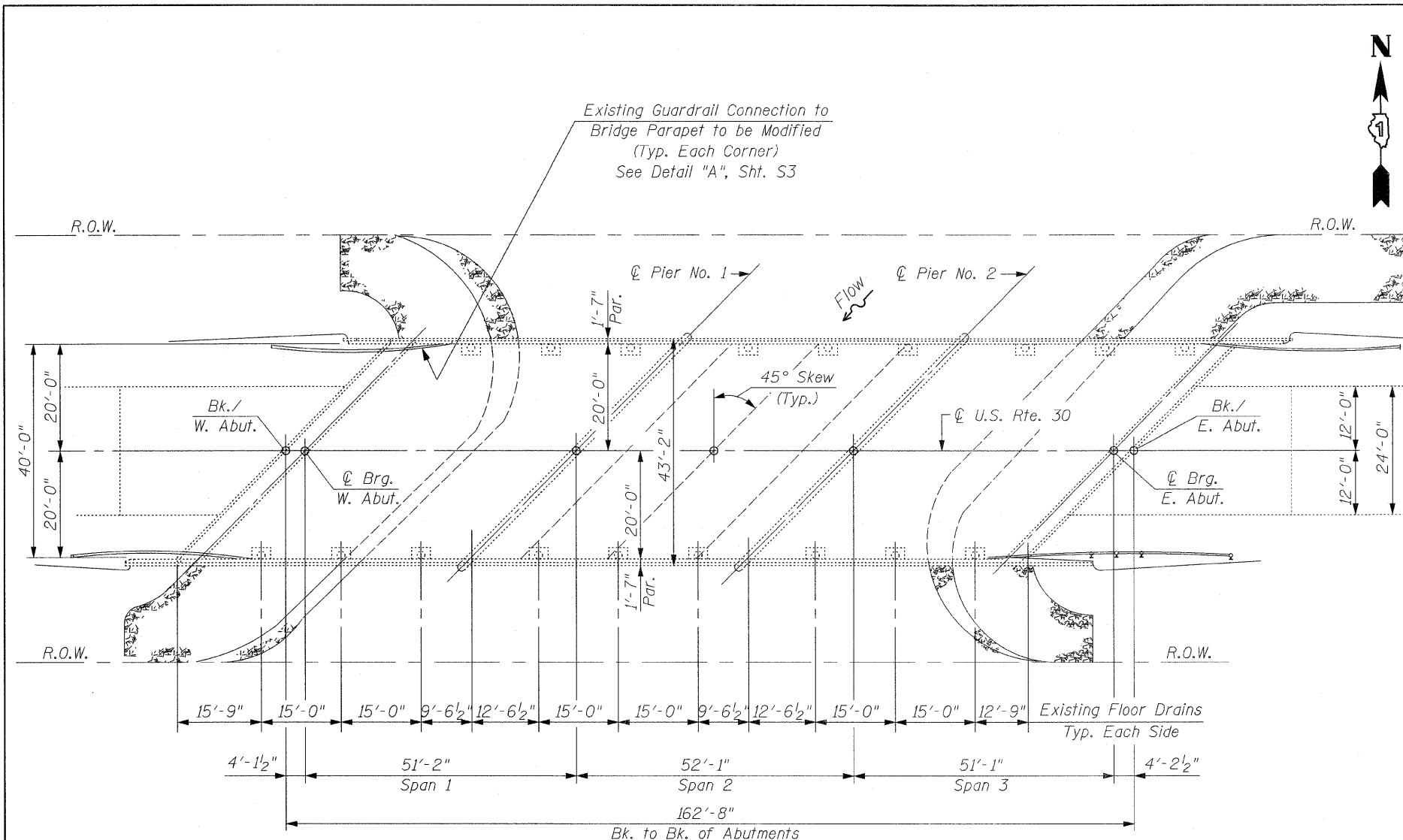
Existing Reinforcement Bars Extending into the Removal Area Shall be Cleaned, Straightened and Incorporated Into the New Construction. Any Reinforcement Bars that are Damaged During Concrete Removal Shall be Replaced With an Approved Bar Splicer or Anchorage System. Cost is Included With Concrete Removal.

Reinforcement Bars Shall Conform to the Requirements of ASTM A-706, Grade 60. See Special Provisions.

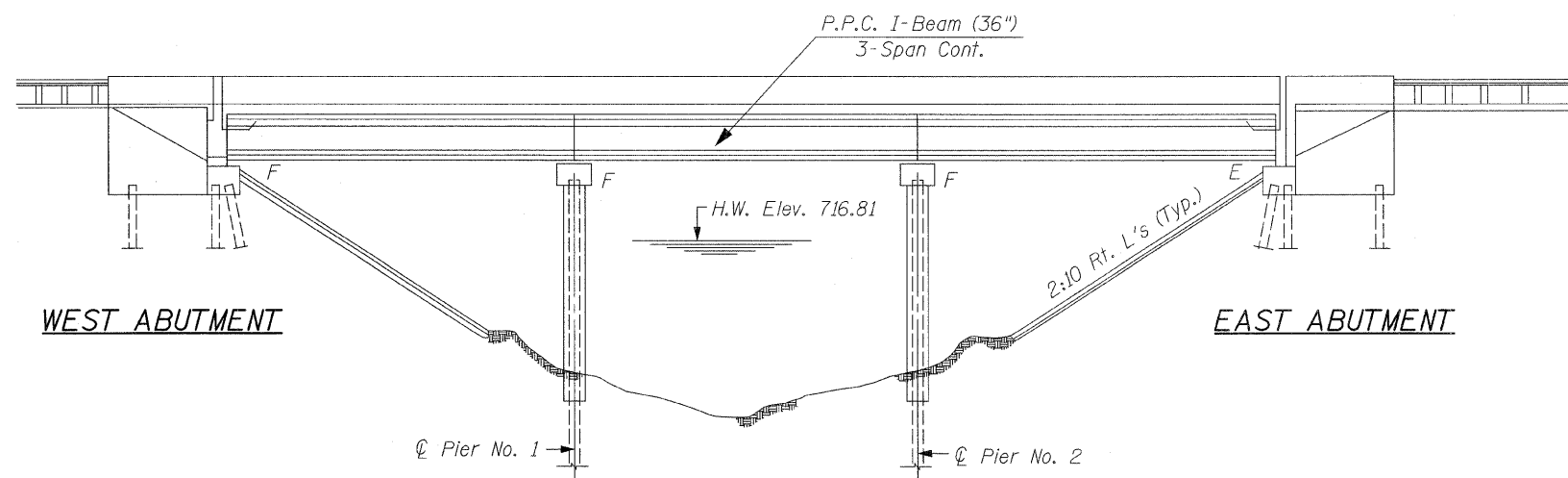
Reinforcement Bars Designated (E) Shall be Epoxy Coated.

TOTAL BILL OF MATERIAL

ITEM	UNIT	QUANTITY
Bridge Deck Hydro-Scarification, 1/2 Inch	Sq. Yd.	672
Bridge Deck Latex Concrete Overlay, 2 1/4 Inch	Sq. Yd.	672
Bridge Deck Grooving	Sq. Yd.	666
Reinforcement Bars, Epoxy Coated	Pound	2,490
Concrete Removal	Cu. Yd.	16.4
Concrete Superstructure	Cu. Yd.	17.6
Preformed Joint Strip Seal	Foot	118
Bar Splicers	Each	22
Protective Coat	Sq. Yd.	708



PLAN



ELEVATION

CR & A
 CHRISTIAN-ROGE & ASSOCIATES, INC.
 ENGINEERS / PLANNERS / SURVEYORS
 211 W. WACKER DRIVE CHICAGO, IL. 60606
 PHONE: (312)372-2023 FAX: (312)372-5274