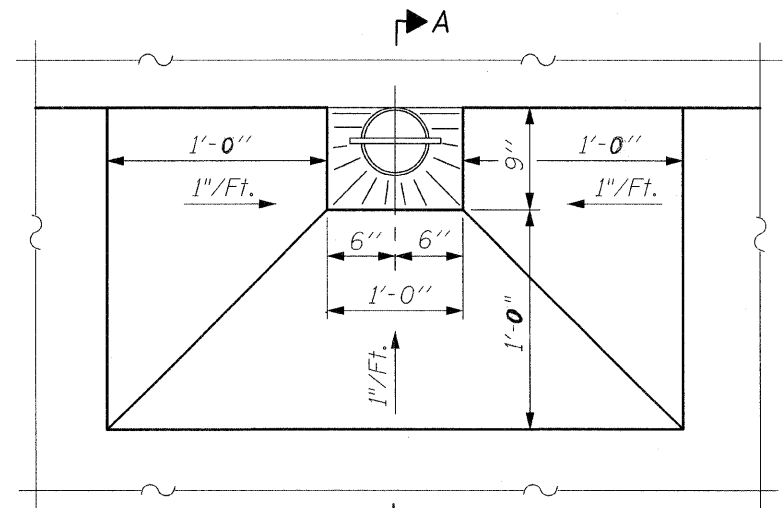
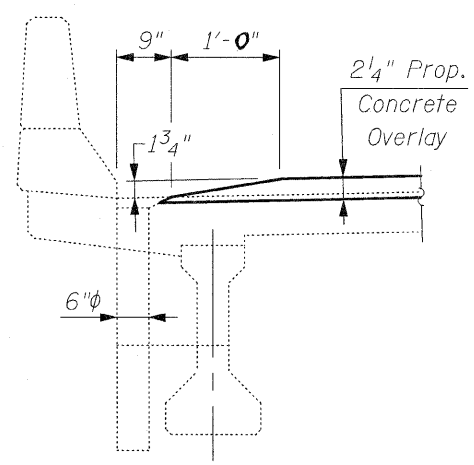


DECK PLAN



DETAIL "B"

Showing Overlay Taper at Floor Drains



SECTION A-A

LEGEND:

- Joint Reconstruction
- Deck Slab Repair (Partial)

NOTES:
 INSPECTION WAS CONDUCTED IN SEPT., 2008 BY I.D.O.T. FIELD MAINTENANCE ENGINEERS.

 INFRARED INSPECTION WAS CONDUCTED ON JULY 9, 2008 BY EARTH TECH/AECOM.

NOTE:
 SURFACE TYPE: CONCRETE WITH NO OVERLAY

NOTES:
 For Joint Reconstruction Details, See Sht's. S4 thru S7.
 Deck Slab Repair (Partial) is Shown for Information Only.
 Locations & Areas of Repairs are Approximate and are Based on Inspections Performed by I.D.O.T. and Earth Tech/AECOM.
 Proposed Overlay to be Tapered at Existing Floor Drains, See Detail "B".
 All Patch Dimensions are in Feet.

	CHRISTIAN-ROGE & ASSOCIATES, INC. ENGINEERS / PLANNERS / SURVEYORS 211 W. WACKER DRIVE CHICAGO, IL. 60606 PHONE: (312)372-2023 FAX: (312)372-5274			
	F.A.P. RTE. 573	SECTION 117 R-2B-R	COUNTY KANE	TOTAL SHEETS 40 SHEET NO. 19

FILE NAME = deck_repairs.dgn	USER NAME = ID01	DESIGNED - B.N.S.	REVISED -	STATE OF ILLINOIS DEPARTMENT OF TRANSPORTATION	DECK PLAN U.S. 30 OVER WEST BRANCH BIG ROCK CREEK S.N. 045-2005	SCALE:	SHEET NO. 52 OF 518 SHEETS	STA. TO STA.	FED. ROAD DIST. NO. 1 ILLINOIS FED. AID PROJECT
PLOT SCALE = 50.0000' / IN.	PLOT DATE = 1/26/2009	CHECKED - B.N.S./J.C.N.	REVISED -		CONTRACT NO. 60E63				