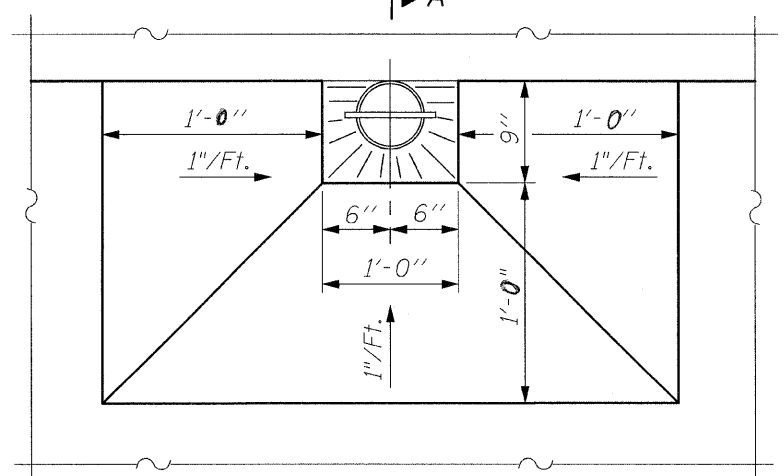
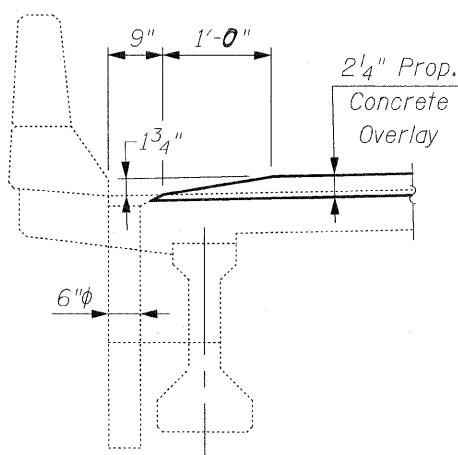


DECK PLAN



DETAIL "B"

TOP PLAN
Showing Overlay Taper at Floor Drains



SECTION A-A

LEGEND:

- Joint Reconstruction
- Deck Slab Repair (Partial)

NOTES:

For Joint Reconstruction Details, See Sht's. S13 thru S16.
Deck Slab Repair (Partial) is Shown for Information Only.

Locations & Areas of Repairs are Approximate and are Based on Inspections Performed by I.D.O.T. and Earth Tech/AECOM.

Proposed Overlay to be Tapered at Existing Floor Drains. See Detail "B".

All Patch Dimensions are in Feet.

NOTES:
INSPECTION WAS CONDUCTED IN SEPT., 2008 BY I.D.O.T. FIELD MAINTENANCE ENGINEERS.
INFRARED INSPECTION WAS CONDUCTED ON JULY 9, 2008 BY EARTH TECH/AECOM.

NOTE:
SURFACE TYPE: CONCRETE WITH NO OVERLAY

CR & A
CHRISTIAN-ROGE & ASSOCIATES, INC.
ENGINEERS / PLANNERS / SURVEYORS
211 W. WACKER DRIVE CHICAGO, IL 60606
PHONE: (312)372-2023 FAX: (312)372-5274

FILE NAME = deck_repairs.dgn	USER NAME = IDOT	DESIGNED - B.N.S.	REVISED -	STATE OF ILLINOIS DEPARTMENT OF TRANSPORTATION	DECK PLAN U.S. 30 OVER EAST BRANCH BIG ROCK CREEK S.N. 045-2006	F.A.P. RTE. 573	SECTION 117 R-2B-R	COUNTY KANE	TOTAL SHEETS 40	SHEET NO. 28		
PLOT SCALE = 5/8" = 1' / IN.	CHECKED - B.N.S./J.C.N.	REVISED -	SCALE:			SHEET NO. S11 OF S18 SHEETS	STA.	TO STA.	CONTRACT NO. 60E63			
PLOT DATE = 1/26/2009	DATE - JANUARY 27, 2009	REVISED -	FED. ROAD DIST. NO. 1 ILLINOIS FED. AID PROJECT									