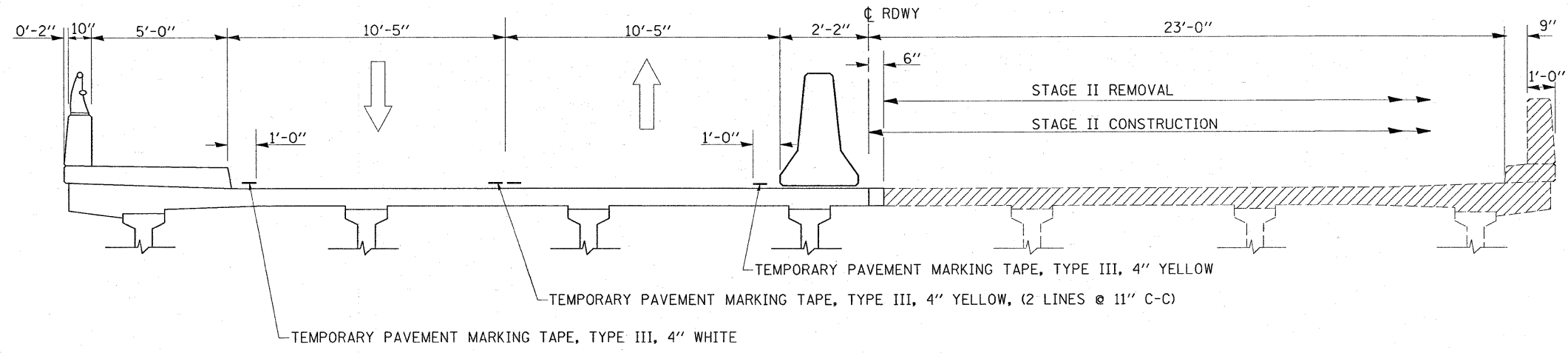
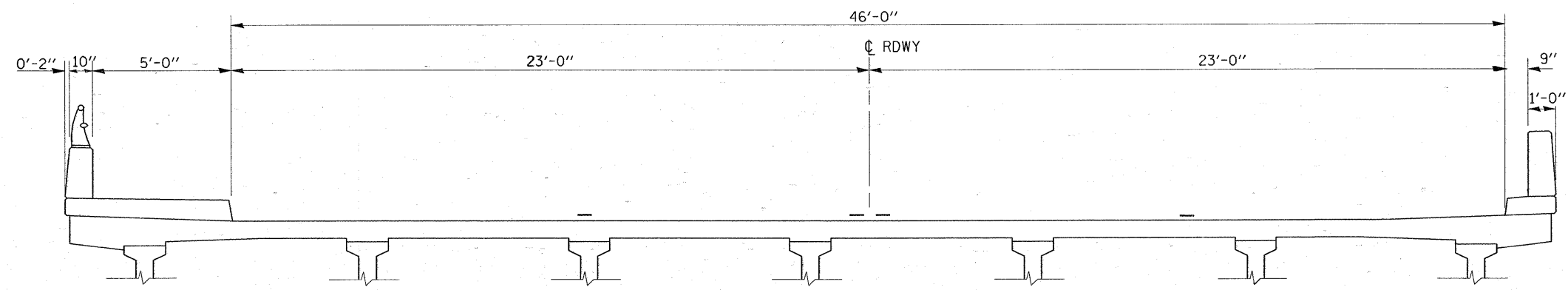


STAGE I



STAGE II



FINAL

- LEGEND**
- WORK ZONE
 - TRAFFIC FLOW
 - TEMPORARY CONCRETE BARRIER

FILE NAME =	USER NAME = ttnakosmv	DESIGNED -	REVISED -	STATE OF ILLINOIS DEPARTMENT OF TRANSPORTATION	U.S. 30 OVER E.J. & E.R.R. TRAFFIC STAGING S.N. 099-0264	F.A.P. RTE.	SECTION	COUNTY	TOTAL SHEETS	SHEET NO.	
ct:\pw_work\PW100T\TINAKOSMV\d0101671\09-0264.dgn		DRAWN -	REVISED -			607	13 D-R-1-I	WILL	16	4	
PLOT SCALE = 50.0000' / IN.		CHECKED -	REVISED -			CONTRACT NO. 60E89					
PLOT DATE = 2/19/2009		DATE -	REVISED -			SCALE:	SHEET NO. 1 OF 1 SHEETS	STA.	TO STA.	FED. ROAD DIST. NO.	ILLINOIS FED. AID PROJECT