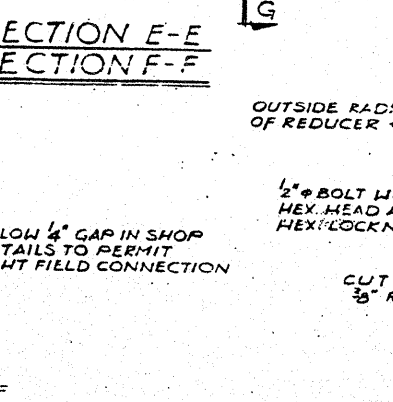
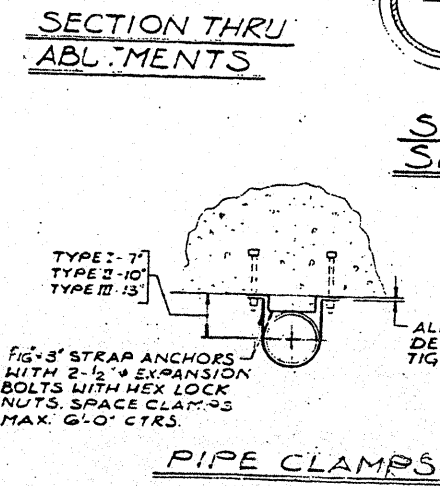
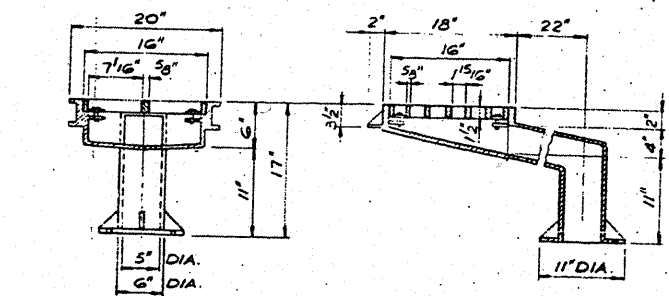
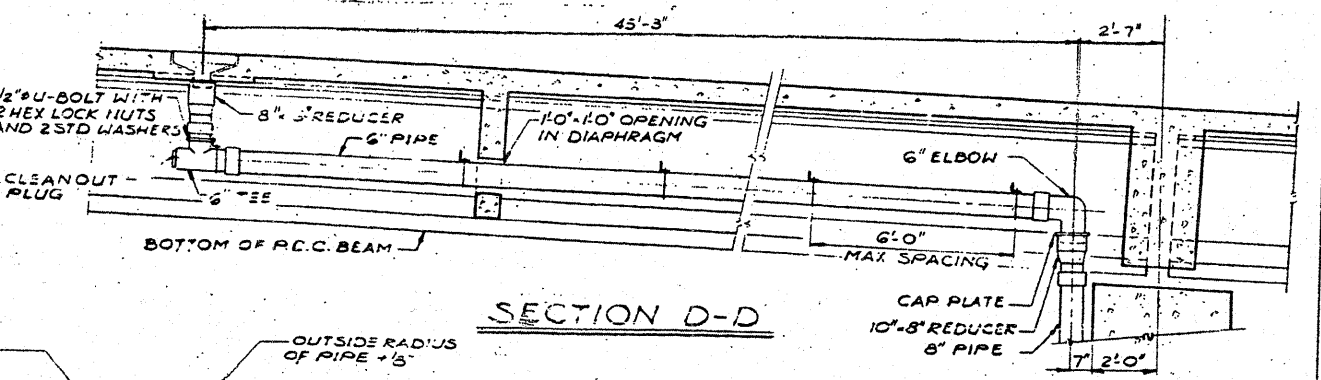
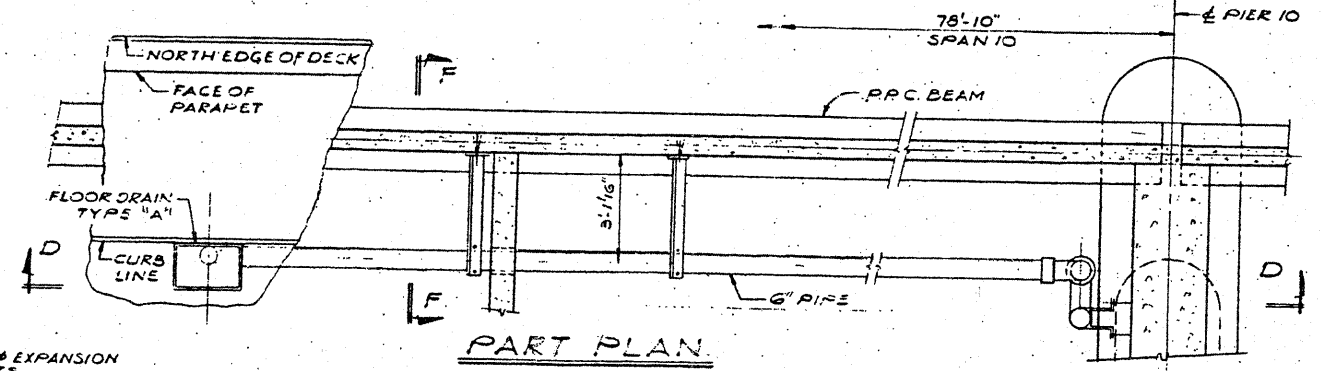
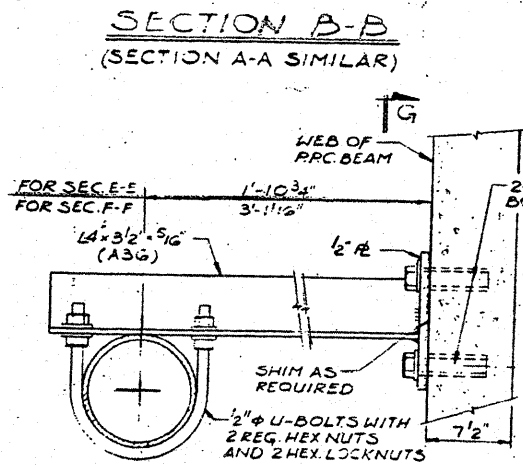
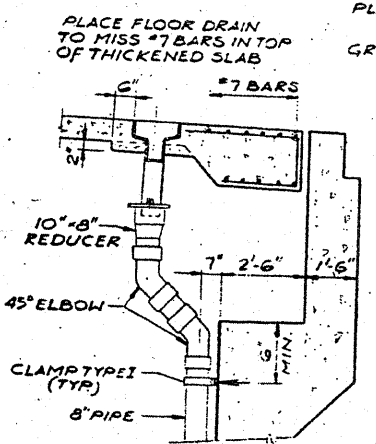
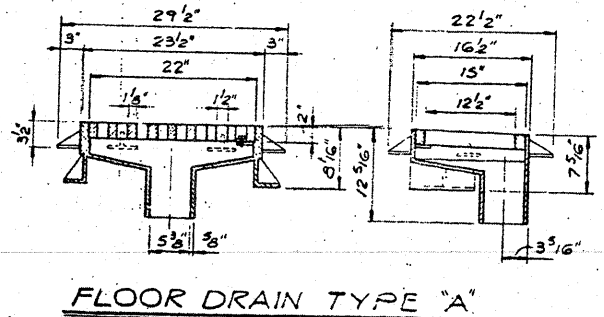
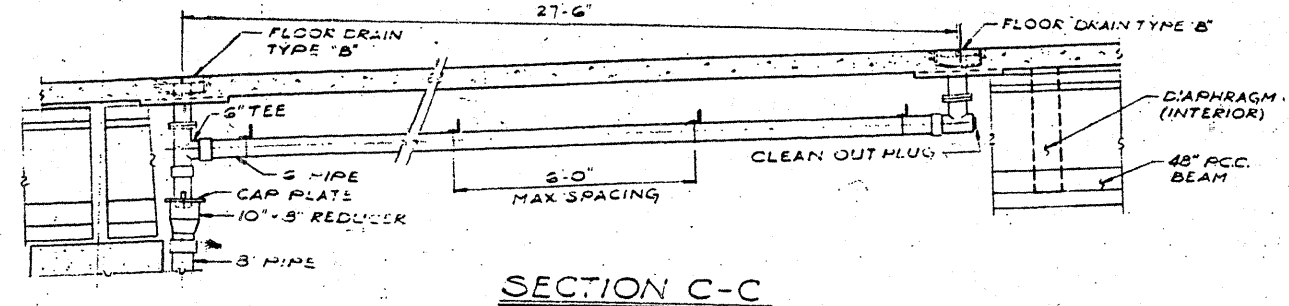
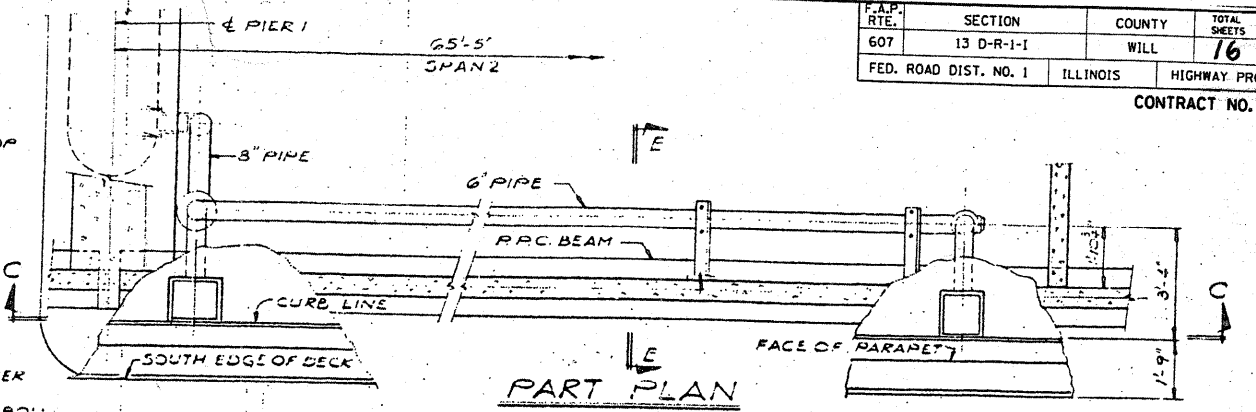
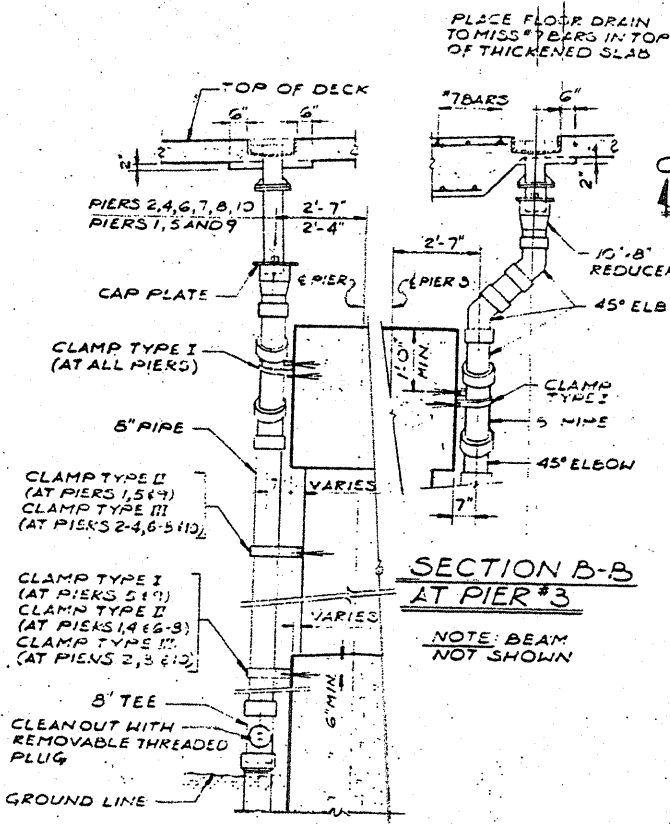
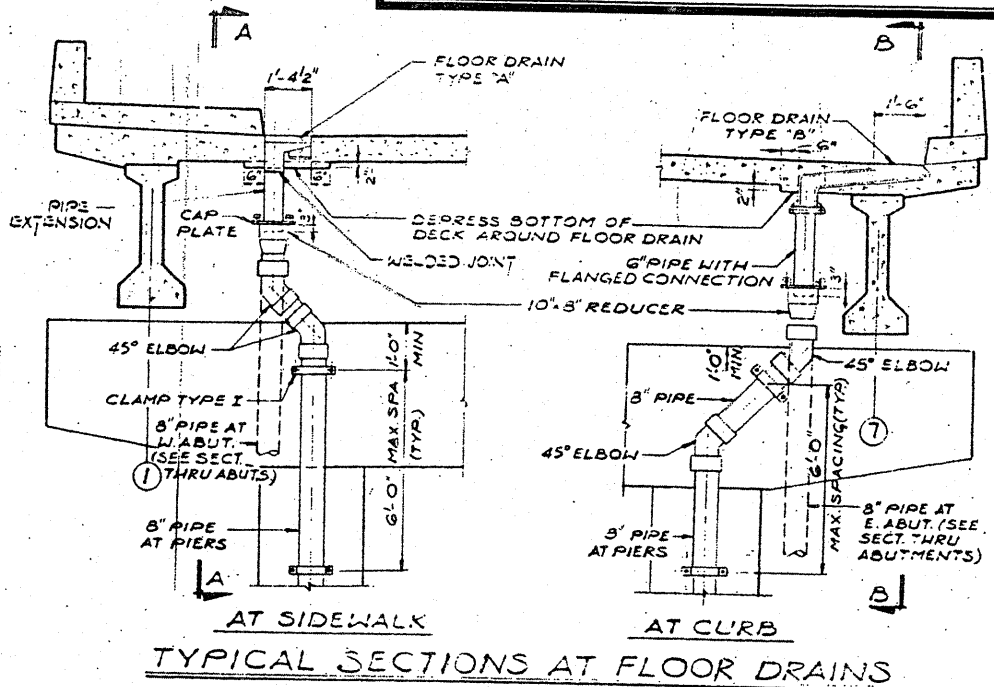


FOR INFORMATION ONLY

F.A.P. RTE.	SECTION	COUNTY	TOTAL SHEETS	SHEET NO.
607	13 D-R-1-1	WILL	16	14
FED. ROAD DIST. NO. 1	ILLINOIS	HIGHWAY PROJECT	CONTRACT NO. 60E89	



NOTE: ALL STRUCTURAL STEEL USED TO SUPPORT DRAINAGE PIPES SHALL BE INCIDENTAL TO THE COST OF DECK DRAINS.

NO.	REVISIONS

ILLINOIS DEPARTMENT OF TRANSPORTATION
DECK DRAINAGE
 CASS STREET (U.S. ROUTE 30) OVER E.J. & E.R.R.
 F.A. ROUTE 607 SECTION 13D-R-1(82)
 WILL COUNTY