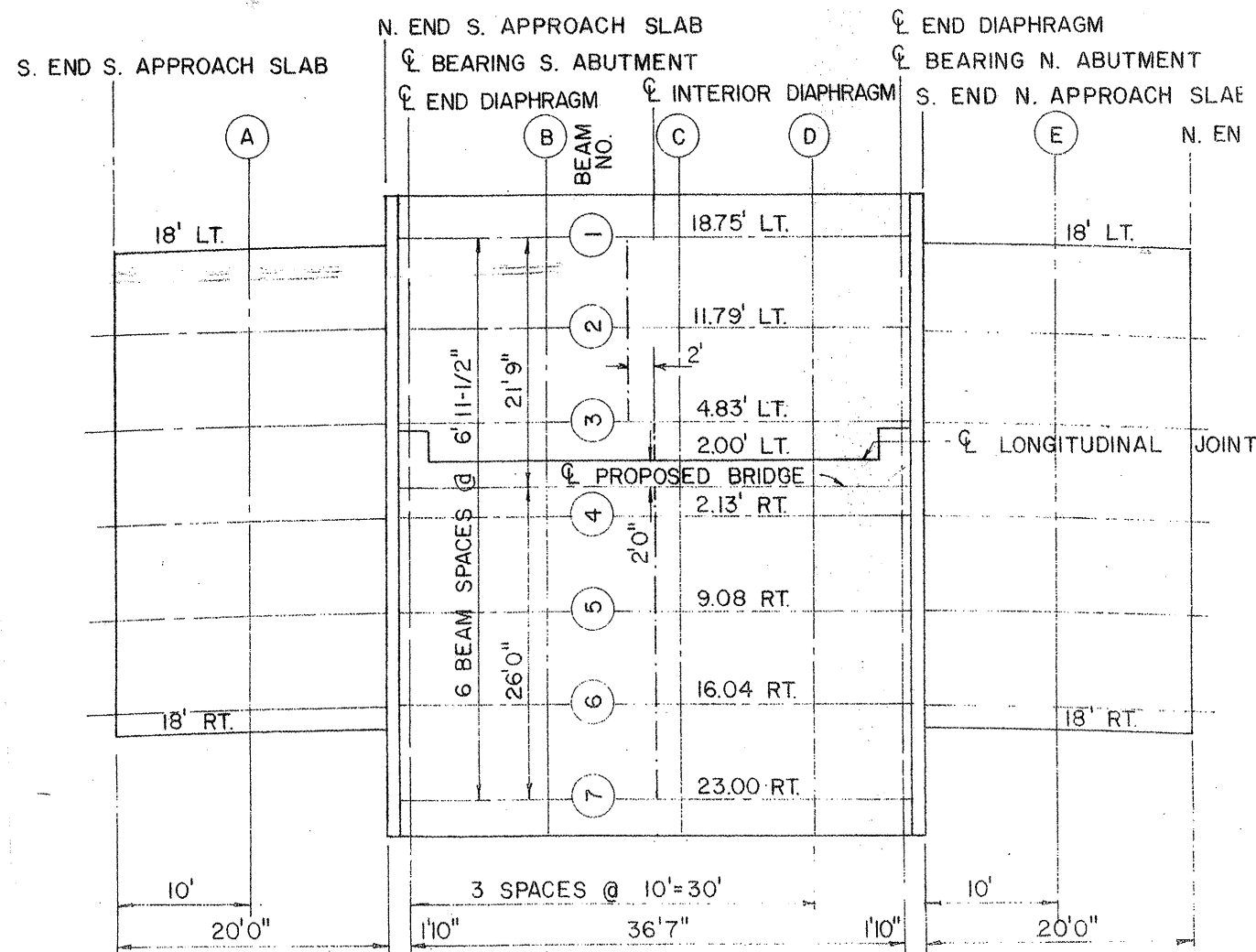
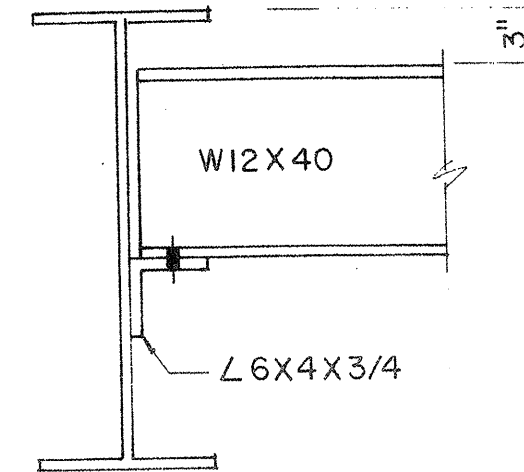
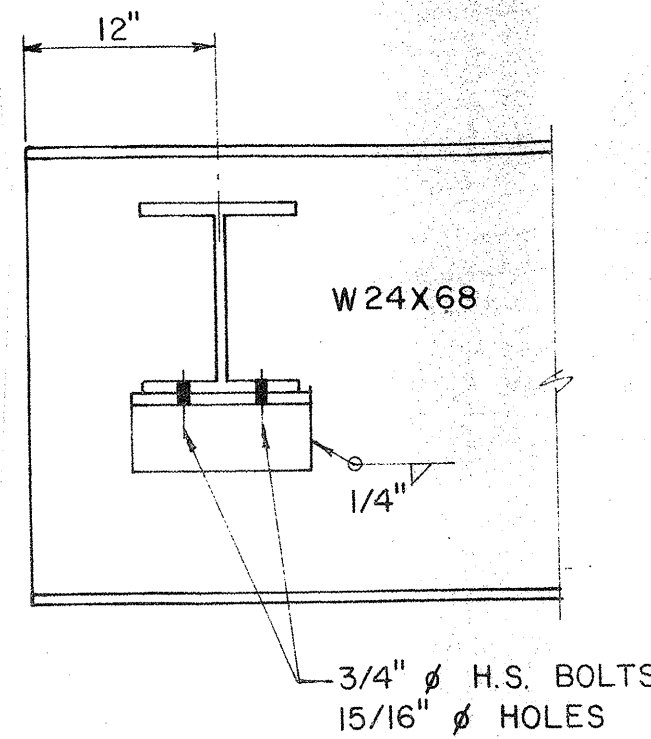


ROUTE	SECTION	COUNTY	TOTAL SHEETS	SHEET NUMBER
VARIOUS	2008-053 BP	VARIOUS	54	21

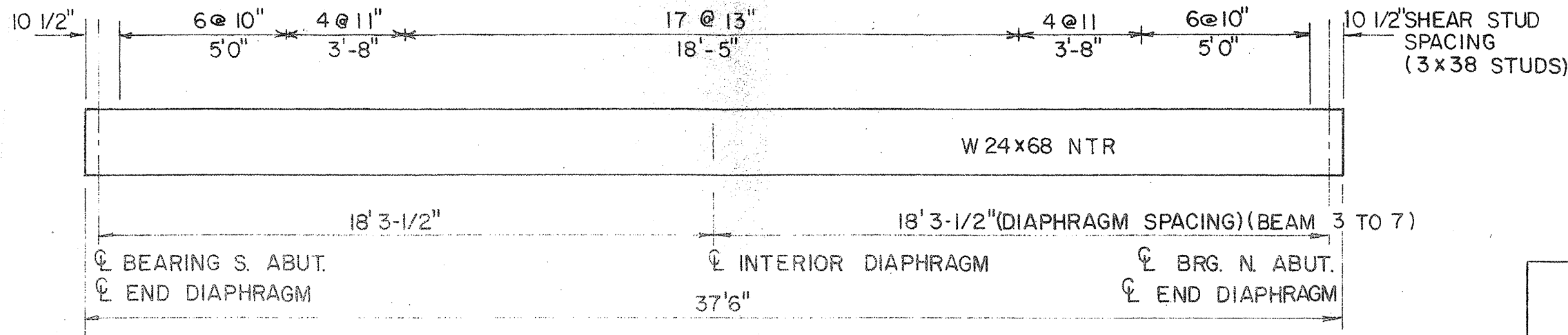
CONTRACT NO. 60F04



LOCATION GRID AND FRAMING PLAN



END DIAPHRAGM



BEAM ELEVATION

NTR INDICATES NOTCH TOUGHNESS REQUIREMENT

LOCATION NO. 2
EXIST. BRIDGE PLANS
IL 31 OVER EDGEWOOD
RAVINE SN 056-0016