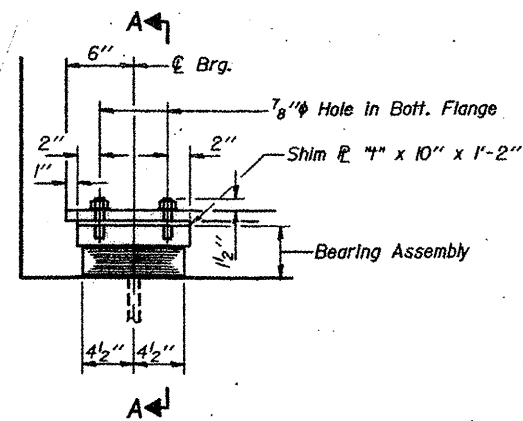
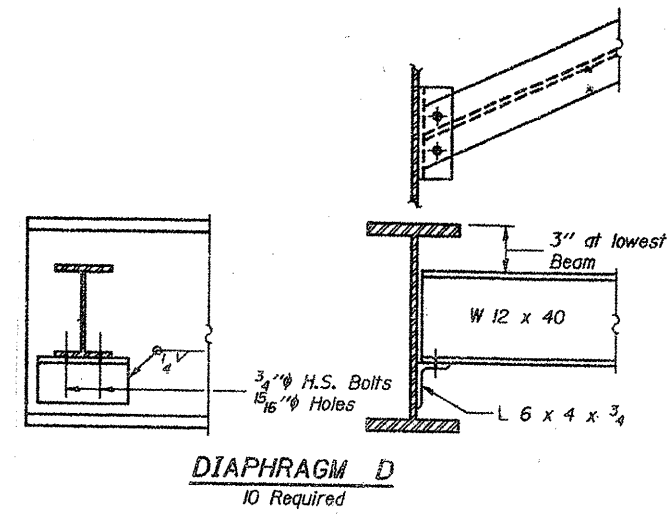
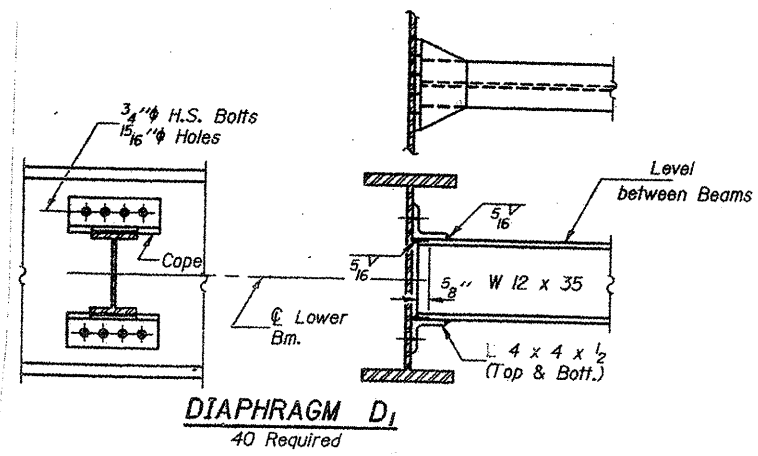


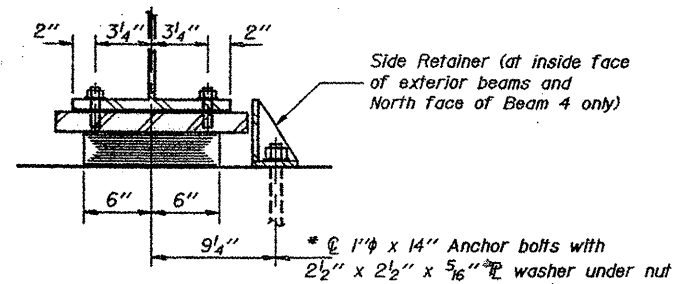
ROUTE	SECTION	COUNTY	TOTAL SHEETS	SHEET NUMBER
VARIOUS	2008-053 BP	VARIOUS	54	44

CONTRACT NO. 60F04

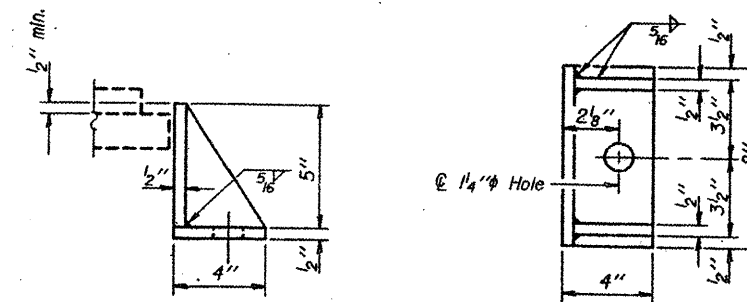


ELEVATION AT ABUTS.

TYPE I ELASTOMERIC EXP. BRG.



SECTION A-A



SIDE RETAINER

Equivalent rolled angle with stiffeners will be allowed in lieu of welded plates.

**LOCATION NO. 9**

**EXIST. BRIDGE PLANS  
IL 19 OVER EJ&E RR  
SN 016-0948**