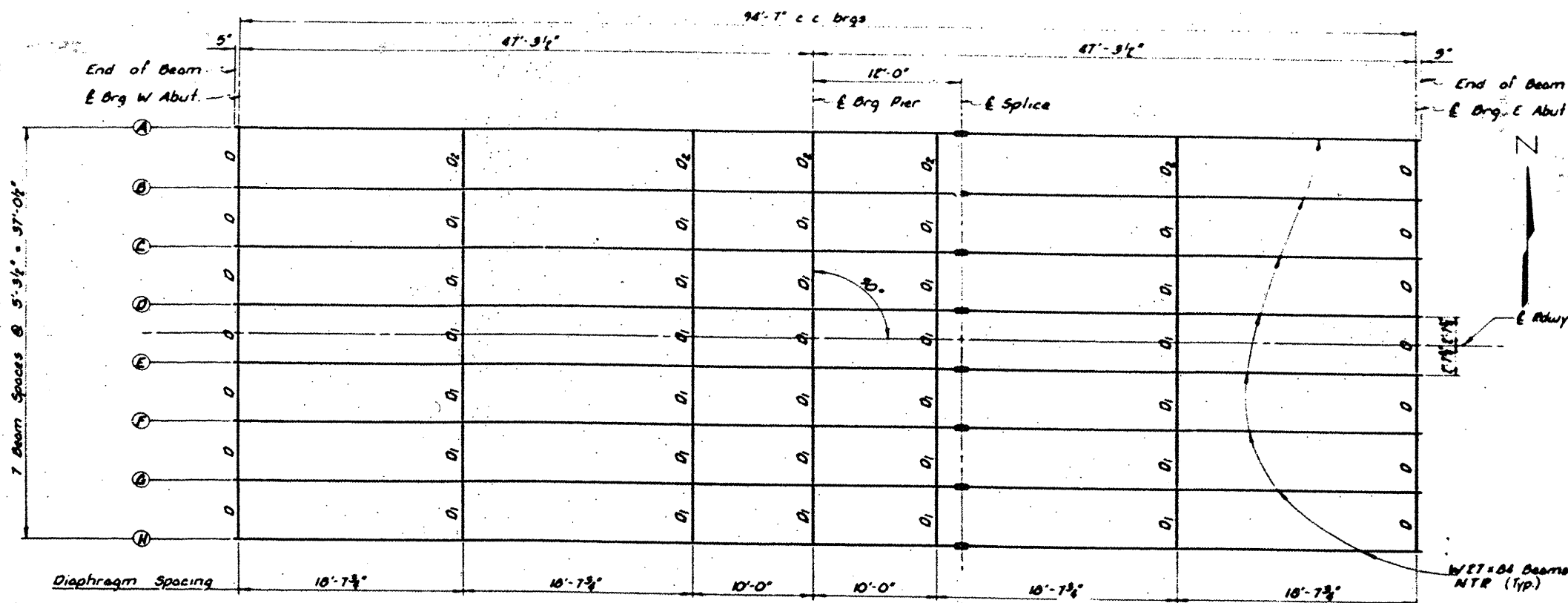
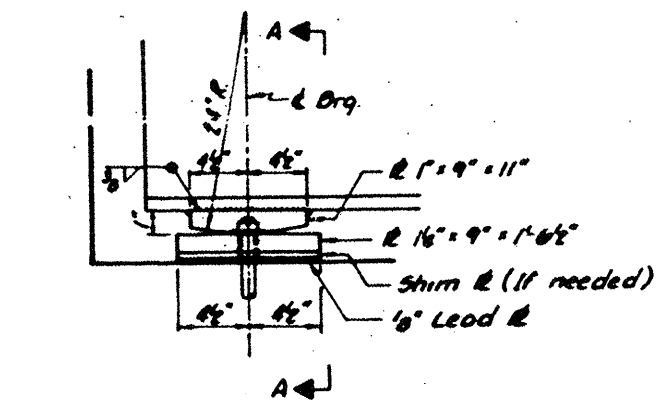
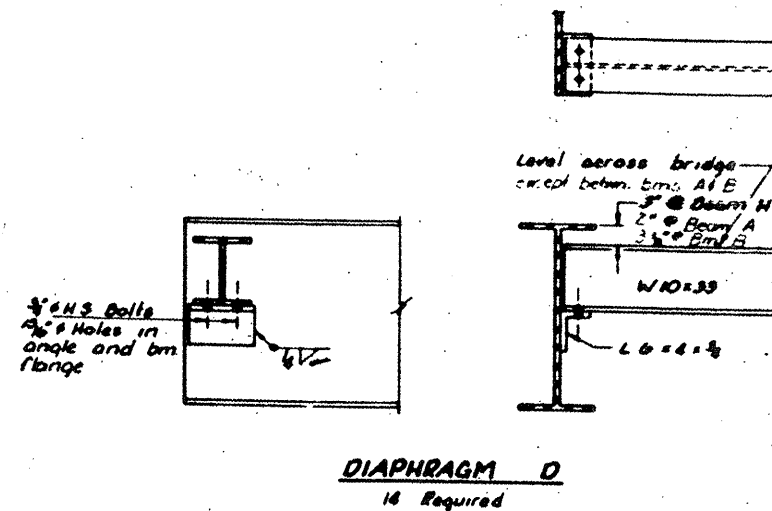


ROUTE	SECTION	COUNTY	TOTAL SHEETS	SHEET NUMBER
VARIOUS	2008-053 BP	VARIOUS	54	46

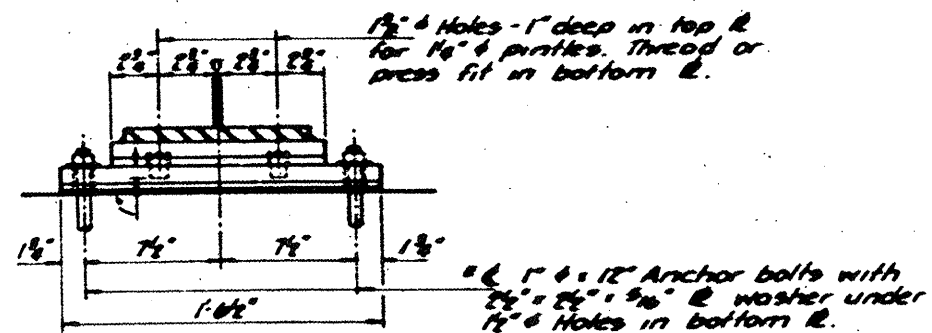
CONTRACT NO. 60F04



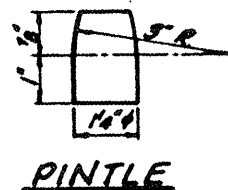
FRAMING PLAN



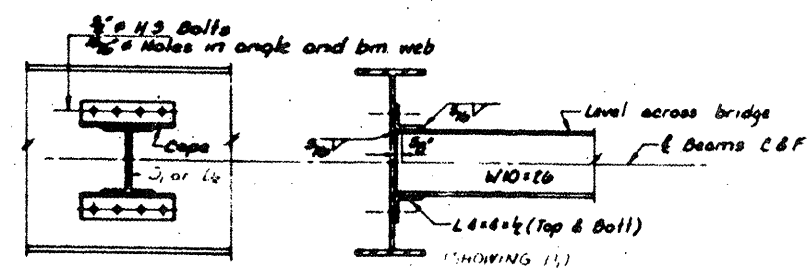
ELEVATION AT ABUTMENTS



FIXED BEARING
(16 Required)



NOTE: Hardened washers shall be required over 1 1/2" holes. (E/Bolt)



LOCATION NO. 10

**EXIST. BRIDGE PLANS
IL 53 OVER FORKED CREEK
SN 099-0091**