

EXISTING

END VIEW

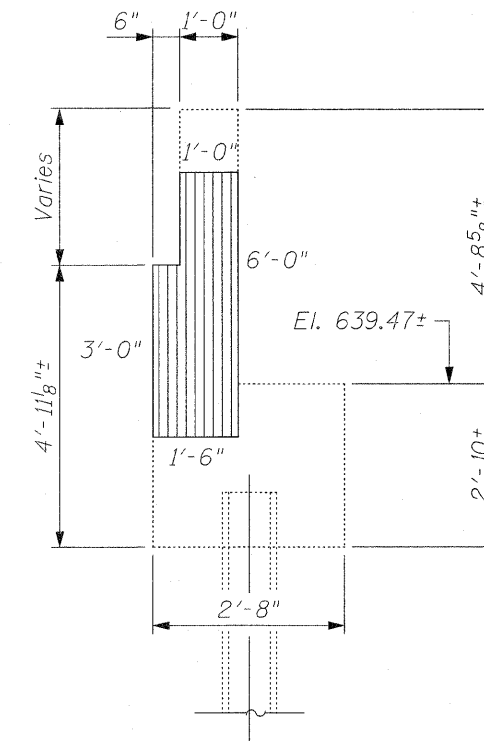
NORTH ABUTMENT
East Side

LEGEND:

 Structural Repair of Concrete
(Depth Equal to or Less Than 5 In.)

BILL OF MATERIAL

ITEM	UNIT	QUANTITY
Structural Repair of Concrete (Depth Equal to or Less Than 5 In.)	Sq. Ft.	11



EXISTING

END VIEW

SOUTH ABUTMENT
East Side

LEGEND:

 Structural Repair of Concrete
(Depth Greater Than 5 In.)

BILL OF MATERIAL

ITEM	UNIT	QUANTITY
Structural Repair of Concrete (Depth Greater Than 5 In.)	Sq. Ft.	8

FIELD NOTE:

INSPECTION WAS CONDUCTED IN SEPT., 2008
BY I.D.O.T. FIELD MAINTENANCE ENGINEERS

FILE NAME = substructure_repair.dgn
PLOT DATE = 3/23/2009

 **CHRISTIAN-ROGE & ASSOCIATES, INC.**
ENGINEERS-PLANNERS-SURVEYORS
211 WEST WACKER DRIVE
CHICAGO, ILLINOIS 60606
PHONE: (312)372-2023 FAX: (312)372-5274

DESIGNED - B.N.S./J.C.N.	REVISED -
DRAWN - F.M.	REVISED -
CHECKED - B.N.S./J.C.N.	REVISED -
DATE - MARCH, 2009	REVISED -

STATE OF ILLINOIS
DEPARTMENT OF TRANSPORTATION

SUBSTRUCTURE CONCRETE REPAIRS
IL 72 (LEE STREET) OVER WILLOW CREEK S.N. 016-0506

SCALE: SHEET NO. S7 OF S10 SHEETS STA. TO STA.

F.A.U. RTE.	SECTION	COUNTY	TOTAL SHEETS	SHEET NO.
1350	2008-063 RS	COOK	42	28
FED. ROAD DIST. NO.			ILLINOIS FED. AID PROJECT	
			CONTRACT NO. 60F40	