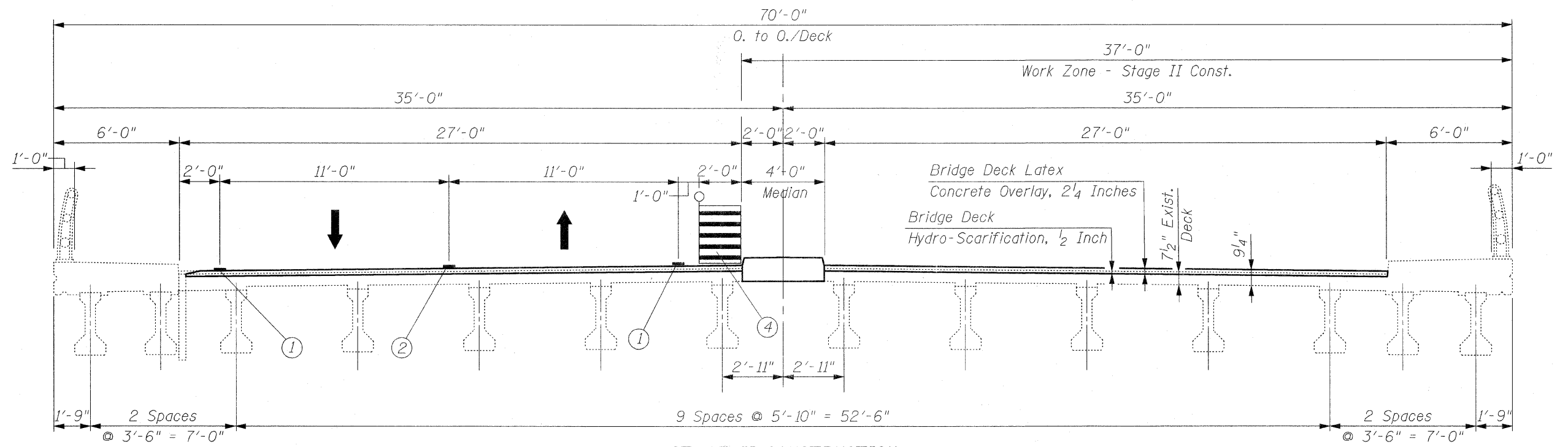


STAGE I CONSTRUCTION
(Looking South)



STAGE II CONSTRUCTION
(Looking South)

- LEGEND:**
- ① Temporary 4" White Edge Line
 - ② Temporary 2-4" Yellow Lines @ 11" C-C
 - ③ Temporary Concrete Barrier
 - ④ Drums With Steady Burning Lights @ 10'-0" C-C