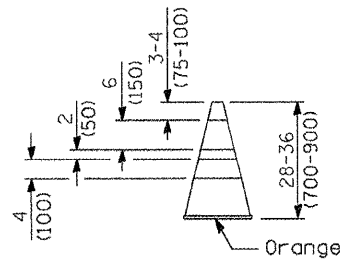
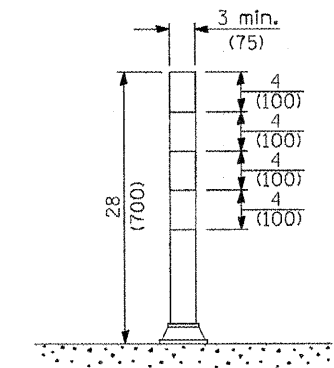


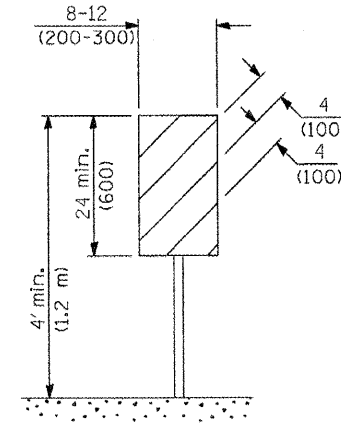
CONE



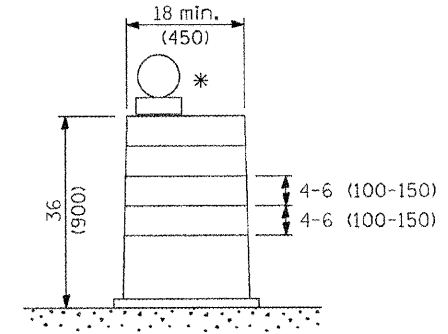
REFLECTORIZED CONE



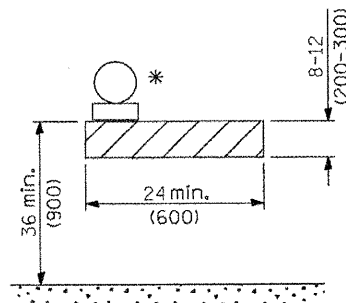
FLEXIBLE DELINEATOR



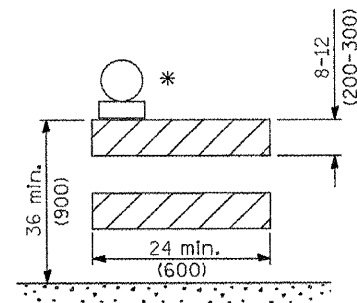
VERTICAL PANEL  
POST MOUNTED



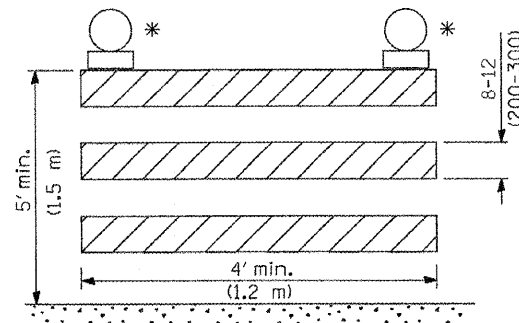
DRUM



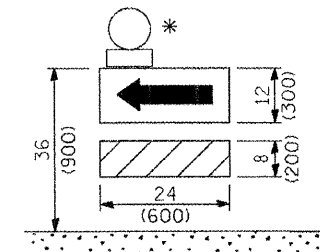
TYPE I BARRICADE



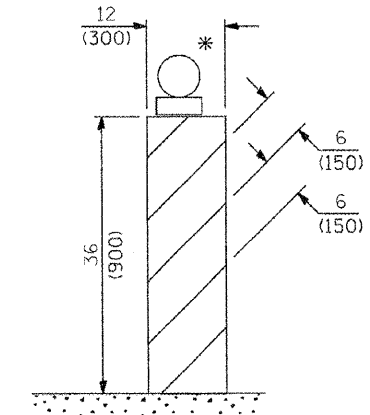
TYPE II BARRICADE



TYPE III BARRICADE



DIRECTION INDICATOR  
BARRICADE



VERTICAL BARRICADE

\* Warning lights (if required)

GENERAL NOTES

All heights shown shall be measured above the pavement surface.

All dimensions are in inches (millimeters) unless otherwise shown.

TRAFFIC CONTROL  
DEVICES

(Sheet 1 of 3)

STANDARD 701901-01

INFRASTRUCTURE ENGINEERING, INC.  
33 W. MONROE ST., SUITE 1540  
CHICAGO, IL 60603-5322  
PHONE 312.425.9560  
FAX 312.425.9564

FILE NAME =	USER NAME = (1224_user)	DESIGNED - LC	REVISED -
P:\P-00\1224\Task 8\DOCSheets\22-1224.S-Standard-06.dgn		DRAWN - BID	REVISED -
	PLOT SCALE = 1.0000' / 1IN.	CHECKED - ER	REVISED -
	PLOT DATE = 1/23/2009	DATE -	REVISED -

STATE OF ILLINOIS  
DEPARTMENT OF TRANSPORTATION

SCALE:	SHEET NO. OF SHEETS	STA. TO STA.	F.A. RTE.	SECTION	COUNTY	TOTAL SHEETS	SHEET NO.
			IL 31	2001-125R	Mc HENRY	31	22
						CONTRACT NO. 60F79	
						FED. ROAD DIST. NO. ILLINOIS FED. AID PROJECT	