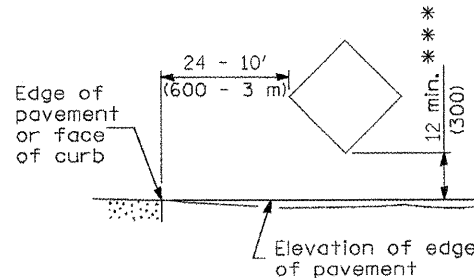


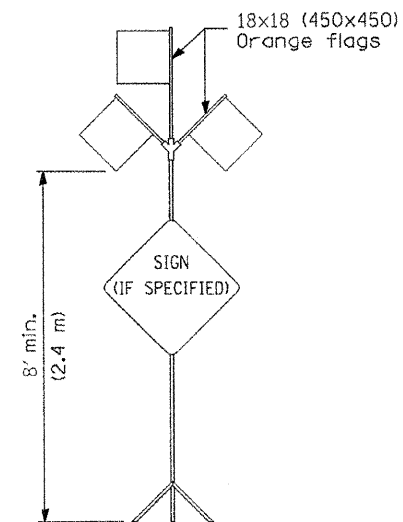
POST MOUNTED SIGNS

** When curb or paved shoulder are present this dimension shall be 24 (600) to the face of curb or 6' (1.8 m) to the outside edge of the paved shoulder.



SIGNS ON TEMPORARY SUPPORTS

*** When work operations exceed four days, this dimension shall be 5' (1.5 m) min. If located behind other devices, the height shall be sufficient to be seen by motorists.



HIGH LEVEL WARNING DEVICE



G20-1(0)-6036 G20-2a(0)-6024

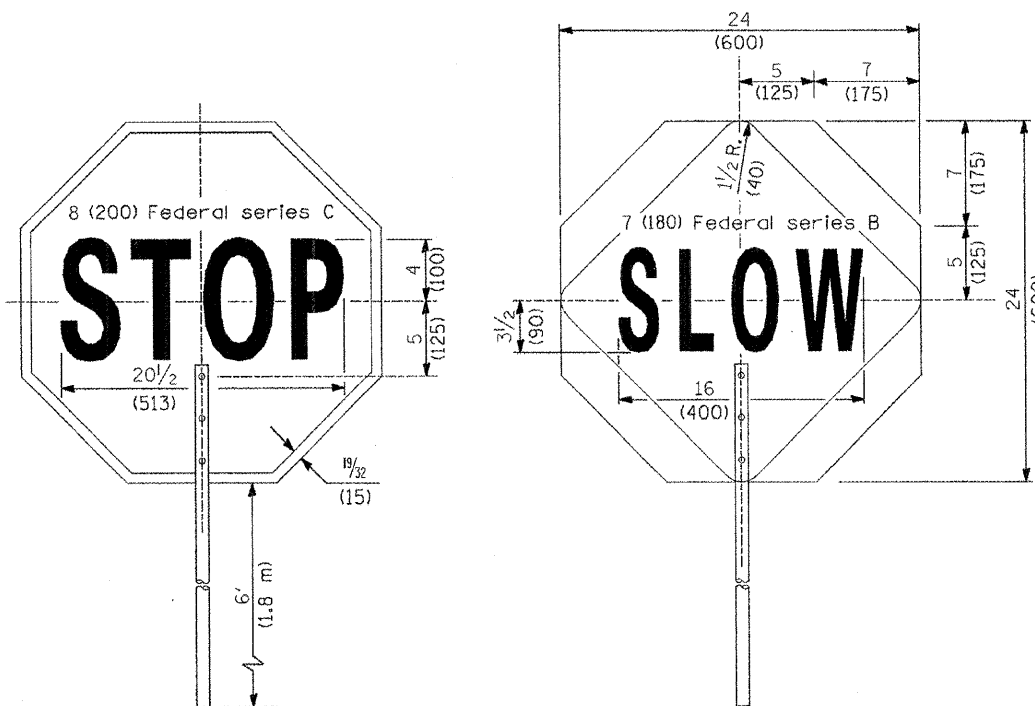
This signing is required for all projects 2 miles (3200 m) or more in length.

ROAD CONSTRUCTION NEXT X MILES sign shall be placed 500' (150 m) in advance of project limits.

END CONSTRUCTION sign shall be erected at the end of the job unless another job is within 2 miles (3200 m).

Dual sign displays shall be utilized on multi-lane highways.

WORK LIMIT SIGNING



FRONT SIDE

REVERSE SIDE

FLAGGER TRAFFIC CONTROL SIGN

All dimensions are in inches (millimeters) unless otherwise shown.

TRAFFIC CONTROL DEVICES

(Sheet 2 of 3)

STANDARD 701901-01

INFRASTRUCTURE ENGINEERING, INC.
33 W. MONROE ST., SUITE 1540
CHICAGO, IL 60603-5322
PHONE 312.425.9560
FAX 312.425.9564

FILE NAME =	USER NAME = (1224_user1)	DESIGNED - LC	REVISED -	STATE OF ILLINOIS DEPARTMENT OF TRANSPORTATION	F.A. RTE.	SECTION	COUNTY	TOTAL SHEETS	SHEET NO.	
PaP-00\1224\Task 8\Drawn\Sheets\23-1224_S-Standard-07.dgn		DRAWN - BID	REVISED -		IL 31	2001-125R	Mc HENRY	31	23	
PLOT SCALE = 1:8000 1/4 IN.		CHECKED - ER	REVISED -		CONTRACT NO. 60F79					
PLOT DATE = 1/23/2009		DATE -	REVISED -		FED. ROAD DIST. NO.	ILLINOIS	FED. AID PROJECT			
					SCALE:	SHEET NO.	OF	SHEETS	STA.	TO STA.