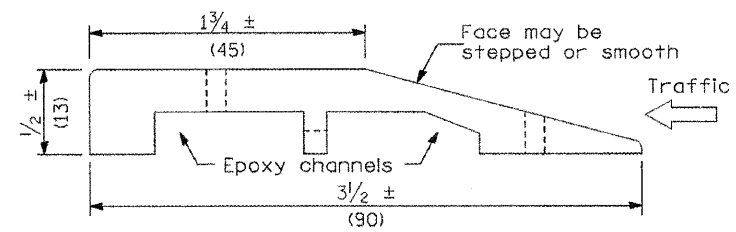
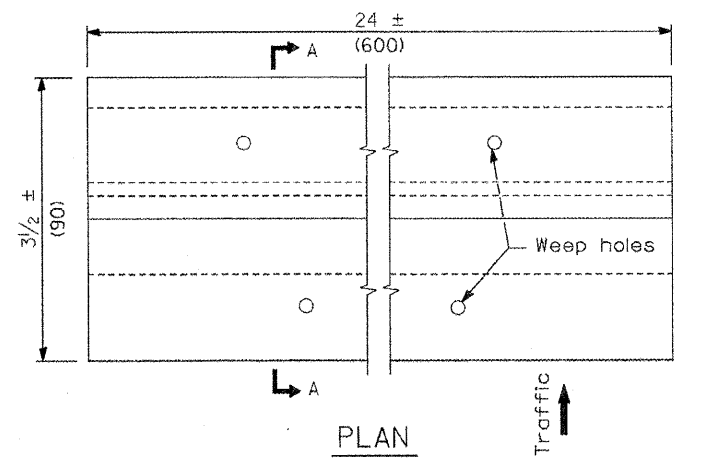
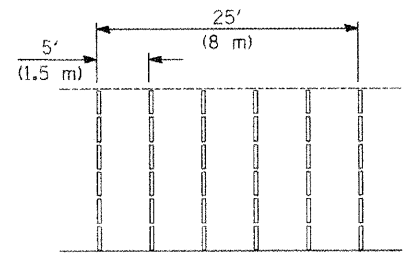
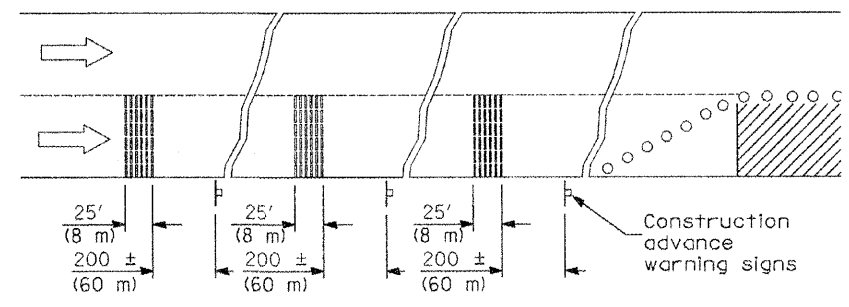


ARROW BOARDS

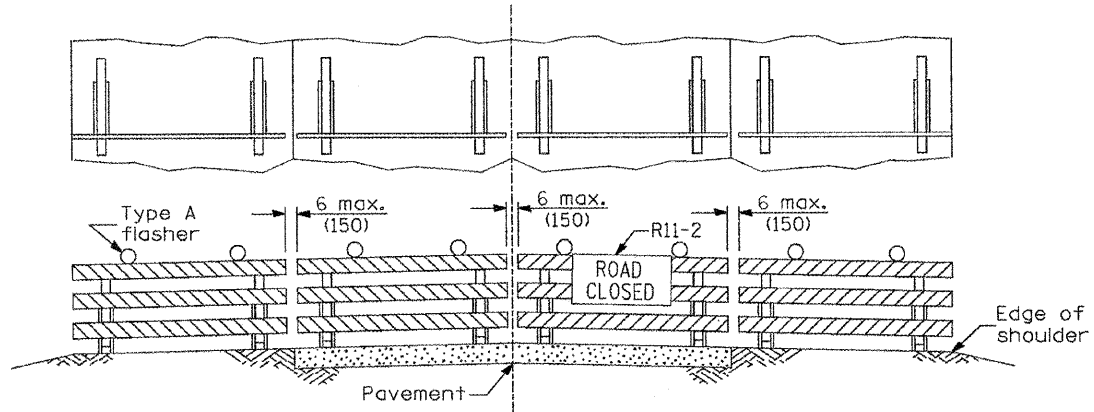


SECTION A-A



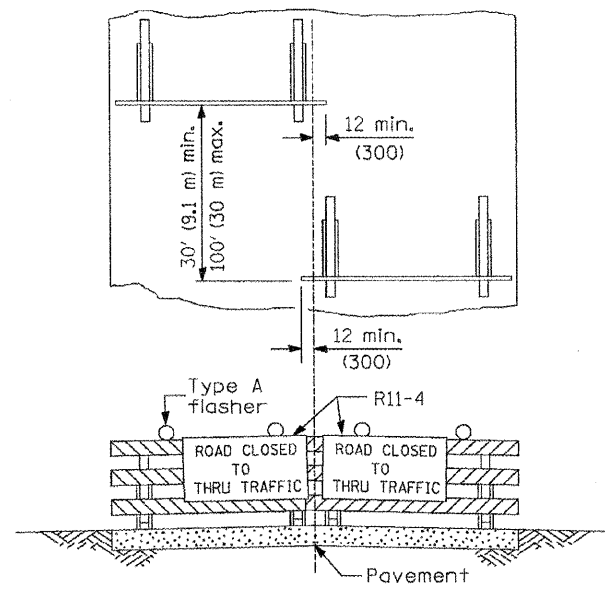
TYPICAL INSTALLATION

TEMPORARY RUMBLE STRIPS



Reflectorized striping may be omitted on the back side of the barricades. If a Type III barricade with an attached sign panel which meets NCHRP 350 is not available, the sign may be mounted on an NCHRP 350 temporary sign support directly in front of the barricade.

TYPICAL APPLICATIONS OF TYPE III BARRICADES CLOSING A ROAD



Reflectorized striping shall appear on both sides of the barricades. If a Type III barricade with an attached sign panel which meets NCHRP 350 is not available, the signs may be mounted on NCHRP 350 temporary sign supports directly in front of the barricade.

All dimensions are in inches (millimeters) unless otherwise shown.

TRAFFIC CONTROL DEVICES

(Sheet 3 of 3)

STANDARD 701901-01

| | | | |
|---|-------------------------|---------------|-----------|
| FILE NAME = | USER NAME = (1224.user) | DESIGNED - LC | REVISED - |
| P:\P-00\1224\Task 8\08\Sheets\24-1224_S-Standard-08.dgn | | DRAWN - BID | REVISED - |
| | | CHECKED - ER | REVISED - |
| | | DATE - | REVISED - |

STATE OF ILLINOIS
DEPARTMENT OF TRANSPORTATION

| | | |
|--------|---------------------|--------------|
| SCALE: | SHEET NO. OF SHEETS | STA. TO STA. |
|--------|---------------------|--------------|

| | | | | |
|---|-----------|----------|--------------|-----------|
| F.A. RTE. | SECTION | COUNTY | TOTAL SHEETS | SHEET NO. |
| IL 31 | 2001-125R | Mc HENRY | 31 | 24 |
| CONTRACT NO. 60F79 | | | | |
| FED. ROAD DIST. NO. ILLINOIS FED. AID PROJECT | | | | |

IE INFRASTRUCTURE ENGINEERING, INC.
 33 W. MONROE ST., SUITE 1540
 CHICAGO, IL 60603-5322
 PHONE 312.425.9560
 FAX 312.425.9564